



DNV

认证企业



API-6D

产品认证

# 华通水力控制阀

HuaTong Waterpower Control Valve



全方位的管道解决方案专家



上海华通阀门有限公司

SHANGHAI HUATONG VALVE CO., LTD.

立足 上海

走向世界

base on shanghai and go to the world







# 简介

Brief Introduction

# Brief } introduction

**上海华通阀门有限公司**是一家通过挪威船级社ISO9001-DNV和美国石油学会API-6D认证的具有自营进出口权的阀门专业制造企业。工厂坐落于上海市嘉定江桥工业区江桥路35号，占地面积13300平方米，公司固定资产2800万元人民币，员工人数238人，其中工程技术人员占17%，企业拥有各类主要机械加工设备和完善的理化检验及性能测试设备。为全面提高国际竞争力、增加产品技术含量，公司与上海大学组建了阀门产、学、研联合体，增强企业在产品开发、技术创新和质量管理上的综合实力。

上海华通阀门有限公司主要按国标GB、英标BS、美标ANSI、API、AWWA、MSS、德标DIN、澳洲AS等标准设计生产“上华”牌闸阀、蝶阀、截止阀、止回阀、柱塞阀、球阀、水力控制阀等产品。驱动方式有手动、齿轮和蜗轮传动，以及气动、电动可供选择。根据产品的使用工况，阀门材料及密封结构可有多种优化配置以满足客户对产品规格的不同需求，使阀门在多种压力、温度及介质条件下确保其密封性、抗磨性、耐腐蚀性及安全性。

“开拓创新、精益求精”是“上华”人对产品的承诺。企业在采用高新技术及精良设备的同时，严格实行ISO9001，精心组织生产，确保了产品的质量。同时，公司依托于上海大学、上海通用机械研究所、合肥通用机械研究所等科研院所，不断开发新产品，增加产品的技术含量，提高产品的质量，使阀门产品始终处于国内外先进水平，并被广泛应用于电力、冶金、石化、轻纺、食品、医药、环保、城建和国防科研等领域。产品出口欧美、中东及东南亚，深受用户好评。

产品经国家质量监督机构进行有关性能测试，获得质量监督机构(MA) (AL)的认可，被评为建设部和国家城镇供水协会的推荐产品，并多次获得国家、上海市优质产品奖，及“重合同、守信用”单位和“质量免检单位”等荣誉称号。现为国家化工装备总公司定点生产企业和国家电力系统阀门网络的供应成员。

“质量第一、用户满意”是“上华”人始终遵循的宗旨。公司设有安装调试、技术培训、技术咨询、产品维修和零配件供应的服务机构，承接非标及配阀门的设计和生，竭诚为用户提供科技含量高的优质产品和服务。

为适应企业发展和市场需要，公司正扩大投资规模，欢迎国内外客户前来洽谈惠顾，建立业务及经济技术合作。

**S**hanghai Huatong Valve Co., Ltd. is a professional manufacturer in valves, authorized to import & export independently and approved ISO9001 and API 6D certificates. The factory is located in Jiangqiao Industry Zone, Shanghai, covering an area of 13300 m<sup>2</sup>, equipping with advanced mechanical facilities and inspected apparatus, combining the fixed capital of 28 million RMB with 238 staffs, among them technicians and engineers account for 17 percent. Valve R&D Unit cooperated with Shanghai University has been set up in order to enhance products competitive and improve products technical grade, which results in strengthening the comprehensive abilities in product developing, technology innovating and quality managing.

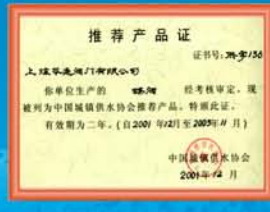
“SHANGHUA” brand valves are manufactured in compliance with GB, BS, ANSI, API, AWWA, MSS, DIN, AS standards, the ranges of products include gate valves, butterfly valves, globe valves, check valves, ball valves control valve of water power etc. with hand wheel, worm gear, pneumatic and electric actuator to be selected. Materials and seal structures can be optimized to be incorporated to satisfy clients different demands on valves, ensured its performances on sealing, abrasion resisting, corrosion resisting and safety under conditions of different pressure, temperature and medium.

To keep innovating and improving is our promises to products. Not only advanced technologies and facilities are wildly applied to manufacturing but also ISO9001 system is strictly implemented in all procedures in order to assure products qualified. The company is striving continually develop new types of products, increase product technical contents and improve product quality depending on many academic Institutes such as Shanghai University, Shanghai General Machine Research Institute and Hefei General Machine Research Institute. The products are now wildly used in the industries of petrochemical, chemistry, iron and steel, power station, papermaking, pharmacy, and city construction etc., and have been exported to Europe, America, the Middle East, and Southeast Asia countries, meanwhile enjoy well appreciated from customers for its reliable and stable performance qualities.

Monograms (MA) and (AL) have been approved used by National Quality Supervised Institute according to the results from the performance inspections. The products are recommended by National Construction Ministry and Water Supply Association of National Towns, and have ever obtained honorary titles of Nation and Shanghai excellent products, “keep credit Unit” and “Quality exemption from inspection Unit” for many times. Nowadays, the company is listed as one of appointed valve manufacturing enterprises by National Petrochemical Suppliers & Equipment Cooperation and National Electric System Network.

Huatong is insisting on the principle of quality preference and customer first. The company has also built the department to provide services for customers with assembling, training, consulting, maintenance and parts supplying, endeavored to supply with excellent products and services to clients. Non-standard valves are available on requests.

For keeping enterprise developing and market demands suitable, the company is continued to invest on enlarging manufacturing capabilities, sincerely welcome domestic and foreign clients to come to contact us for mutual profits, establishing business relationship and technical cooperation.



# 目录 Contents



序号

产品名称

页次

NO.

Product name

Page

1

水力控制阀简述  
Brief introduction of waterpower control valve

1

2

SHT100X-10.16.25 法兰式遥控浮球阀  
Flange remote control float ball valve

3

3

SHT200X-10.16.25 法兰式减压阀  
Flange reducing valve

4

4

SHT300X-10.16.25 法兰式缓闭止回阀  
Flange slow close check valve

5

5

SHT400X-10.16.25 法兰式流量控制阀  
Flange flow control valve

6

6

SHT500X-10.16.25 法兰式泄压 / 持压阀  
Flange atmospheric/keeping pressure valve

7

7

SHT600X-10.16.25 法兰式水力电动控制阀  
Flange waterpower and electric control valve

8

8

SHT700X-10.16.25 法兰式水泵控制阀  
Flange water pump control valve

9

9

SHT900X-10.16.25 法兰式紧急关闭阀  
Flange emergency closing valve

10

10

SHT100D-10.16.25 法兰式定水位阀  
Flange water lever control valve

11

11

SHT100A-16 角型定水位阀  
Angle type water lever control valve

12

12

SHT100S-10.16 角型隔膜式排泥阀  
Angle type dissepiment mud valve

13

13

SJ744X、SJ644X-10 液压气动角式快开排泥阀  
Hydraulic、pneumatic angle type quick mud valve

14

14

SJM744X、SJM644X-10 膜片式液压气动快开阀  
Dissepiment hydraulic、pneumatic quick open valve

15

15

多功能水力控制阀简述  
Brief introduction of multifunctional waterpower control valve

16

16

SJD745X-10.16.25 水泵控制阀  
Water pump control valve

18

17

SF745X-10.16.25 遥控浮球阀  
Remote control float ball valve

19

18

SYX741X-10.16.25 可调式减压阀  
Adjustable reducing valve

20

19

SAX742X-10.16.25 安全泄压 / 持压阀  
Atmospheric/pressure retaining valve

21

20

SJ145X-10.16.25 电动遥控阀  
Electric remote control valve

22

21

SFY46T- 16.25 组合式减压阀  
Assembly reducing valve

23

22

Y42X-16.25.40.60 弹簧活塞式减压阀  
Spring plunger reducing valve

24

23

Y43H-16.25.40.64 蒸汽减压阀  
Vapour reducing valve

25

24

YK43X-16.25.40.64 气体减压阀  
Air reducing valve

26



序号	产品名称	页次
NO.	Product name	Page
25	YB43X-16.25 比例式减压阀 Proportional reducing valve	28
26	YP43X-10.16T(P) 比例式减压阀 Proportional reducing valve	29
27	YP43(13)-10.16T、P(B) 型 短系列比例式减压阀 Short series proportional reducing valve	30
28	Y110、Y410、Y416、Y425-10.16.25 减压稳压阀 Reducing/stable pressure valve	31
29	YHT200P-10.16T 内螺纹减压阀 Inside screw reducing valve	32
30	YZ11X、YG11X、YG41X-16.25T(P) 直接作用减压阀 Reducing valve for direct action	33
31	Y45H(Y)-64.100 杠杆式减压阀 Lever reducing valve	34
32	T40H-16.25.40.64.100 给水回转式调节阀 Water supply rotary regulating valve	35
33	V230W-01(02) 自立式温度调节阀 Temperature regulating valve for automation	36
34	V230Y-01(02) 自立式压力调节阀 Pressure regulating valve for automation	37
35	ZZYW 自立式差(微)压调节阀 (Tiny) different pressure regulating valve for automation	38
36	ZYC-16-H3T 自立式压差控制阀 Different pressure control valve for automation	39
37	T(S)40H-10.16.25 手动调节阀、自锁手动调节阀 Manual and self-locking manual regulating valve	40
38	KPF-16 法兰式平衡阀 Flange balanced valve	41
39	SP15(45)-10.16 数字锁定平衡阀 Number lock balanced valve	42
40	HT-ARVX-10.16 微量排气阀 Small exhaust valve	43
41	HT/CARX-10.16 复合式排气阀 Complex exhaust valve	44
42	P41(42)X-10 单口快速排气阀 Single mouth quick exhaust valve	45
43	KP-10 单口快速排气阀 Single mouth quick exhaust valve	46
44	QB <sub>2</sub> -10 双口自动排气阀 Double mouths automatic exhaust valve	47
45	YSTF-10.16 Y型伸缩拉杆式过滤器 Flexible drawing lever Y type filter	48
46	YGL41H-10.16.25 Y型过滤器 Y type filter	49
47	SRB-10.16 篮式过滤器 Basket filter	50
48	ZPG-10.16 自动反冲洗排污过滤器 Automatic opposed wash and blow-down filter	51
49	H41H-16.25.40.64.100 升降式止回阀 Lift type check valve	52
50	HC41X-10.16.25 (A型) 节能梭式止回阀 (A type) Saving energy shuttle check valve	53

序号	产品名称	页次
NO.	Product name	Page
51	HC41H(X)-10.16.25 (B型) 消声止回阀 (B type) Noise elimination check valve	54
52	HC42H.T.X-10.16.25DRV(Z.G) 静音止回阀 (DRV) Check valve for calm sound (DRV)	55
53	HQ41X-10.16 无磨损球形止回阀 Non abrasion ball check valve	56
54	HQ44(45)X-10.16 无磨损球形止回阀 Non abrasion ball check valve	57
55	HC44X-10.16.25(SFCV) 橡胶瓣止回阀 Check valve for rubber disc	58
56	DHH44H(X)-10.16 微阻缓闭消声止回阀 Check valve for tiny damping and noise elimination	59
57	HH44X(H.T)-10.16.25 微阻缓闭止回阀 Tiny damping check valve	60
58	HH46 (48.49) H(X)-10.16.25 微阻缓闭蝶式止回阀 Tiny damping butterfly check valve	61
59	ZHYH46H(W.EJ)-16.25.40 微阻缓闭蝶式止回阀 Tiny damping butterfly check valve	62
60	HH47H(X)-10.16.25 蝶式缓冲止回阀 Buffering butterfly check valve	63
61	H71H(W)-16.25.40 对夹升降式止回阀 Wafer lift type check valve	64
62	H74H(X)-10.16.25.40 对夹圆片式止回阀 Wafer circle check valve	65
63	DH76H(X)-10.16 对夹式双瓣止回阀 Double discs water check valve	66
64	H77H(X.W.Y)-10.16.25.40.64 对夹式止回阀 Wafer check valve	67
65	ZYA8000(9000)-16.25 气囊式水锤吸纳器 Gasbag water hammer absorber	68
66	FA49H-10.16 防爆波安全阀 Avoiding wave safety valve	70
67	TR80(81.82) TR系列房间温控器 Room TR temperature controller	71
68	TS10(11) TS系列房间温控器 Room TS temperature controller	72
69	SW-A 风机盘电动阀 Electric control valve	73
70	SW-B 风机盘电动阀 Electric control valve	74
71	SW-C 风机盘电动阀 Electric control valve	75
72	GB/T9113.1-2000 突面整体钢制管法兰 GB/T9113.1-2000 raise face integral steel pipe flange	76
73	GB4216.3-84 灰铸铁管法兰及垫片 GB4216.3-84 Gray cast iron pipe flange and gasket	83
74	华通阀门标准缩写 List of Abbreviations of Huatong Valve	85
75	阀门的选用 Selection of valves	86
76	华通阀门精品集粹 HuaTong picked valve	87



## 一、水力控制阀简述

### Brief introduction of waterpower control valve

#### ※结构特点

水力控制阀一般分为隔膜型和活塞型两大类，两者工作原理相同，它由一个主阀(如图1、2)及其外装的针阀、导阀、导管和压力表等组合而成。并配合使用目的、功能及场所的不同而演变成遥控浮球阀、减压阀、缓闭止回阀、流量控制阀、泄压/持压阀、水力电动控制阀、定水位阀、水泵控制阀、紧急关闭阀等。

#### Structure characteristics

The control valve for waterpower can be classified into the diaphragm type and the plunger type, which are of the same working principle. It is made up of a master valve (figure 1, 2) and an outside needle valve, pilot valve, pipe and pressure gauge etc. It also can be categorized into float valve for remote control, reducing valve, slow close check valve, flow control valve, releasing pressure/keeping pressure valve, electric control valve for waterpower, water level valve, water pump control valve, emergency shutoff valve according to the using purposes and functions as well as the places in service.

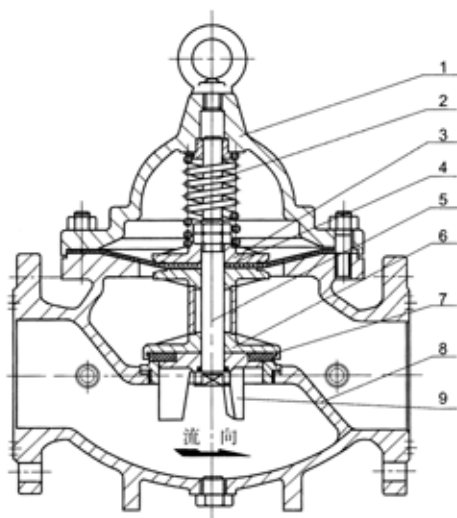
#### ※动作原理

水力控制阀以上下游压力差 $\Delta P$ 为动力，实行自动调节，从而使主阀阀盘完全开启或同时关闭，或处于调节状态。

#### Working principles

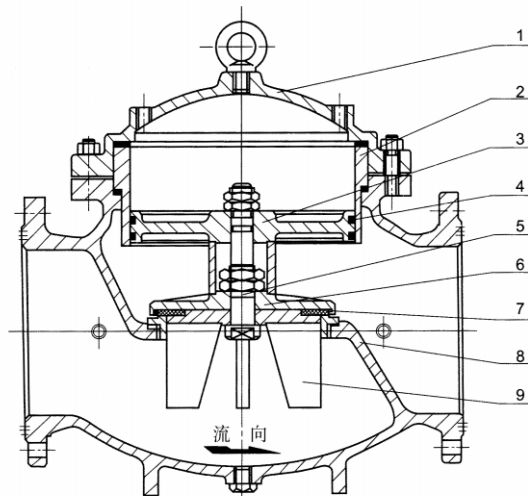
Control valve for waterpower can be adjusted automatically depending on the different pressure between upstream and downstream, making the disc of the master valve open completely or close fully at the same time, or valve in adjusting condition.

1. 全闭状态：当主阀进口端水压分别进入阀体及控制室，且主阀外部之球阀同时关闭，此时主阀处于全闭状态；  
Full cut-off condition: when inlet pressure enters body and control room, meanwhile the exterior ball valve of the master valve closes, so the master valve shall be in condition of full cut-off;
2. 全开状态：当主阀外部球阀全开后，此时控制室内水压全部被排到大气或下游低压区时，主阀呈全开状态；  
Full opening condition: After the exterior ball valve of master valve opens completely, the control room pressure is let out to the air or the downstream lower pressure area to make the master valve be in condition of full opening.
3. 浮动状态：调节主阀外部之球阀开度，使水流经过针阀与球阀之间水流达到平衡，此时主阀处于浮动状态。  
Floating condition: the open-close degree of adjust the exterior ball valve of the master valve, make the flow through needle valve and ball valve balance, at this time the master valve shall be in floating condition.



图一 隔膜型主阀

Fig. 1 Diaphragm type master valve

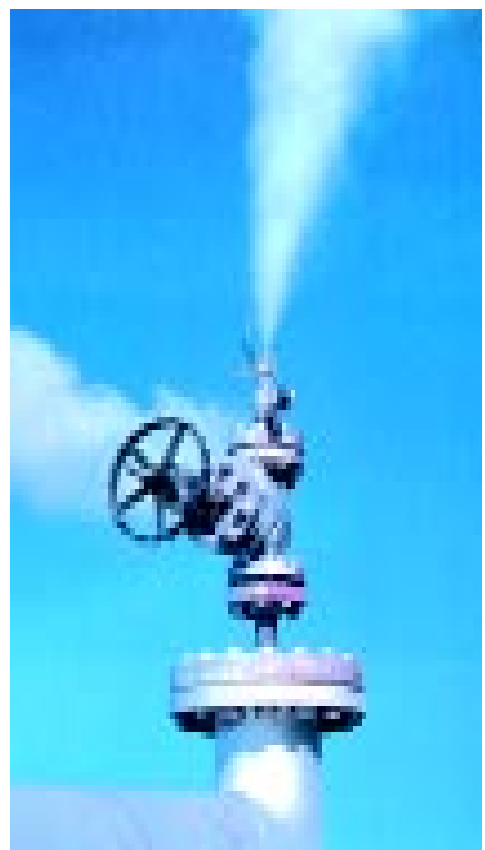


图二 活塞型主阀

Fig. 2 Plunger type master valve

### ※主要零件材料 Main part materials

编号 Code		零件名称 Name	材质 Material	编号 Code		零件名称 Name	材质 Material
隔膜型 Dissepiment	活塞型 Plunger			隔膜型 Dissepiment	活塞型 Plunger		
1	1	阀盖 Bonnet	铸铁、球铁、碳钢、不锈钢 Cast iron, Carbon and stainless steel, nodular cast iron		4	O型圈 O-ring	丁腈橡胶 NBR
2		压缩弹簧 Compression spring	硅锰钢 Silicon-Manganese steel	5	5	阀杆 Spindle	不锈钢 Stainless steel
	2	缸套 Cylinder block	不锈钢 Stainless steel	6	6	阀盘 Valve plate	球铁、青铜 Nodular cast iron, Bronze
3		膜片压板 Hold down plate	丁腈橡胶 NBR	7	7	密封垫 Gland	丁腈橡胶 NBR
	3	活塞 Plunger	球铁、青铜 Nodular cast iron, Bronze	8	8	阀体 Body	铸铁、球铁、碳钢、不锈钢 Cast iron, Carbon and stainless steel, nodular cast iron
4		膜片 Dissepiment	丁腈橡胶 NBR	9	9	密封垫压板 Gland hold down plate	青铜 Bronze



SHANGHAI HUATONG VALVE CO., LTD.



## 二、水力控制阀SHT100X-10.16.25 系列

Waterpower control valve



### ※主要技术参数 Main technology parameters

公称压力(MPa) Nominal prerssure	1.0	1.6	2.5
壳体试验压力(MPa) Shell test pressure	1.5	2.4	3.75
密封试验压力(MPa) Seal test pressure	1.1	1.76	2.75
介质温度 Medium temperature	≤80° C		
最低动作压力(MPa) Lowest acting pressure	$P_1 \geq 0.07$		
适用介质 Suitable medium	水(Water)		
隔膜型 Type of dissepiment	DN20~DN450		
活塞型 Type of plunger	DN350~DN800		

### ※主要外形尺寸 Main exterior dimensions

公称通径(mm) Nominal dimension	尺寸 Dimension (mm)					
	L	A1	L	H1	H	F
20	150	130	325	179	212	116
25	160	130	325	179	212	116
32	180	130	325	179	212	116
40	200	140	335	210	265	168
50	203	140	335	210	265	168
65	216	140	335	215	310	180
80	241	145	345	245	350	210
100	292	155	365	302	460	284
125	330	165	385	365	520	310
150	356	180	410	415	570	370
200	495	205	465	510	840	463
250	622	225	505	560	890	525
300	698	245	545	658	1030	625
350	787	275	595	696	1090	705
400	914	285	625	735	1150	778
450	978	285	625	735	1150	778
500	978	410	780	750	1110	690
600	1230	456	888	850	1286	785
700	1650	470	932	865	1460	980
800	1750	470	932	975	1640	1050

法兰连接尺寸：铁制阀门按GB4216.4(5)-84标准，钢制阀门按GB/T9113.1-2000(RF)标准。

Flange connecting dimension; The iron valve accords to GB4216.4(5)-84 standard and, the steel valve to GB/T9113.1-2000(RF) standard.

## 法兰式遥控浮球阀

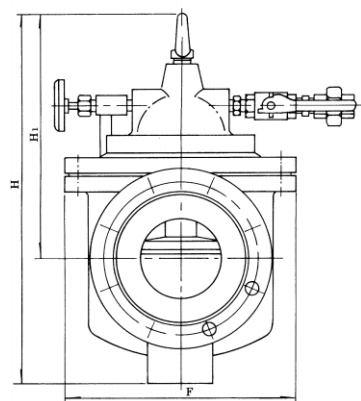
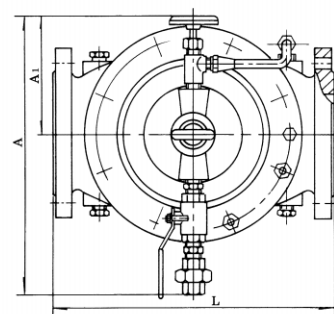
Flange remote control float ball valve

### ※结构及用途

该阀由主阀、针阀、球阀与浮球阀等组成。100X遥控浮球阀由小浮球导阀操作，液压控制主阀直接动作。主阀通道全流量设计，水头压力损失小。主阀体与控制导阀可组合或分离安装。液位控制准确，水位不受压力波动干扰，开闭紧密不漏水，浮球灵活，维护保养简单。适用于工业、高层建筑中的水箱、水池、水塔中的自动供水系统。

### Structure and purpose

The valve is made up of master valve, needle valve, ball valve and float ball valve etc. The remote control ball valve is operated by small ball float pilot valve, and hydraulic pressure controls the master valve action directly. The gangway of master valve is designed for full flow, the pressure loss is little. The master valve and the control pilot valve can be fixed for assembly or dismantle. The fluid level is also accurately controlled, and the pressure fluctuation will not interfere the water lever. There will be no any lackage when shut off, the float is flexible, the maintenance is easy. The valve can be applied to the automatic system of industrial water supply, cistern and pool in high building, and automatic water supply system of water tower.



### 三、水力控制阀SHT200X-10.16.25 系列

### 法兰式减压阀

Waterpower control valve

Flange reducing valve

#### ※结构及用途

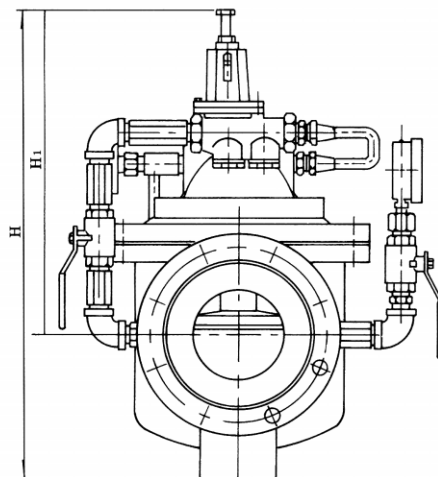
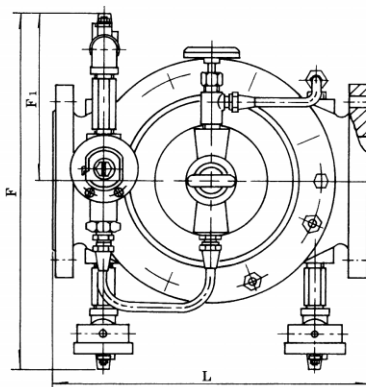
该阀由主阀、导阀、球阀和压力表等组成。减压阀主要控制主阀的固定出口压力，主阀出口压力不因进口压力变化而变化，也不因主阀出口流量的变化而改变其出口压力。适用于工业给水、消防供水及生活用水管网系统。

#### Structure and purpose

The valve is made up of master valve, pilot valve, ball valve and pressure gauge etc. Reducing valve mainly controls the changeless outlet pressure of master valve. The outlet pressure is not changed following the inlet pressure and the outlet flow. It is suitable for the pipe network system of industrial water supply, water supply against fire and living water.

#### ※主要技术参数 Main technology parameters

公称压力(MPa) Nominal pressure	1.0	1.6	2.5
壳体试验压力(MPa) Shell test pressure	1.5	2.4	3.75
密封试验压力(MPa) Seal test pressure	1.1	1.76	2.75
最大入口压力(MPa) Largest inlet pressure	1.0	1.6	2.5
出口压力可调节的范围 (MPa) The adjustable range of outlet pressure	0.07-0.08	0.1-1.2	0.15-1.6
介质温度 Medium temperature	≤80℃		
适用介质 Suitable medium	水(Water)		
隔膜型 Dissepiment type	DN20~DN450		
活塞型 Plunger type	DN350~DN800		



#### ※主要外形尺寸 Main exterior dimension

公称通径(mm) Nominal dimension	尺寸 dimension (mm)				
	L	F1	F	H1	H
20	150	136	292	179	212
25	160	136	292	179	212
32	180	136	292	179	212
40	200	155	330	210	265
50	203	155	330	210	265
65	216	165	350	215	310
80	241	175	365	245	350
100	292	195	410	302	460
125	330	220	455	365	520
150	356	230	475	415	570
200	495	255	530	510	840
250	622	300	326	560	890
300	698	340	700	658	1030
350	787	415	840	696	1090
400	914	430	880	735	1150
450	978	430	880	735	1150
500	978	410	780	750	1110
600	1230	456	888	850	1286
700	1650	560	1130	865	1460
800	1750	610	1230	975	1640

法兰连接尺寸:铁制阀门按GB4216.4(5)-84标准,钢制阀门按GB/T9113.1-2000(RF)标准。

Flange connecting dimension; The iron valve accords to GB4216.4(5)-84 standard, and the steel valve to GB/T9113.1-2000(RF) standard.

SHANGHAI HUATONG VALVE CO., LTD.

## 四、水力控制阀SHT300X-10.16.25 系列

Waterpower control valve

## 法兰式缓闭止回阀

Flange slow close check valve

### ※结构及用途

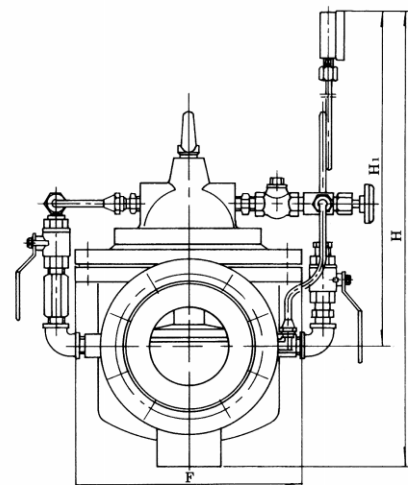
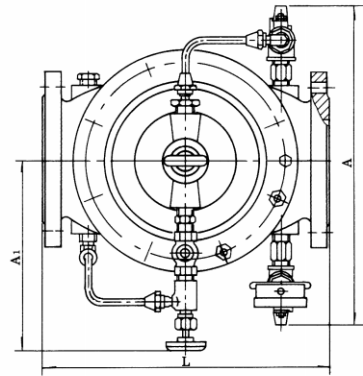
该阀由主阀、单向阀、针阀、球阀和压力表等组成，缓闭式止回阀能控制开启和关闭的速度，可配合现场调至最佳工作状态，能完全消除水锤现象达到缓闭消声的效果。适用于工矿企业、高层建筑给排水系统中，减少水锤及水击现象产生，以达到安全关闭的效果。

### Structure and purpose

The valve is made up of master valve, one way valve, needle valve, ball valve and pressure gauge etc. The slow close check valve can control the open-close speed and achieve the best working state according to the actual condition, and completely eliminates water hammer phenomenon, so it arrives the result of slow close and sound elimination. It is applied to water supply and drainage system in the industrial, mining enterprises and skyscrapers. Because of few water hammer phenomenons, it shuts off safely.

### ※主要技术参数 Main technology parameters

公称压力(MPa) Nominal pressure	1.0	1.6	2.5
壳体试验压力(MPa) Shell test pressure	1.5	2.4	3.75
密封试验压力(MPa) Seal test pressure	1.1	1.76	2.75
介质温度 Suitable temperature	$\leq 80^{\circ}\text{C}$		
最低动作压力(MPa) Lowest acting pressure	$P_1 \geq 0.07$		
适用介质 Suitable medium	水(Water)		
隔膜型 Type of dissepiment	DN20~DN450		
活塞型 Type of plunger	DN350~DN800		



### ※主要外形尺寸 Main exterior dimension

公称通径(mm) Nominal dimension	尺寸 dimension (mm)					
	L	A1	L	H1	H	F
20	150	200	282	106	212	116
25	160	200	282	106	212	116
32	180	200	282	106	212	116
40	200	210	320	137	265	168
50	203	210	320	137	265	168
65	216	215	330	145	310	180
80	241	220	330	178	350	210
100	292	230	410	232	460	284
125	330	245	420	286	520	310
150	356	250	420	318	570	370
200	495	280	430	413	840	463
250	622	300	450	502	890	525
300	698	320	460	600	1030	625
350	787	340	470	638	1090	705
400	914	360	480	677	1150	778
450	978	360	480	677	1150	778
500	978	410	780	750	1110	690
600	1230	455	888	850	1286	785
700	1650	495	730	865	1460	980
800	1750	530	830	925	1640	1050

法兰连接尺寸:铁制阀门按GB4216.4(5)-84标准,钢制阀门按GB9113.1-2000标准。

Flange connecting dimension: the iron valve accords to GB4216.4(5)-84 standards, the steel valve accords to GB9113.1-2000standards(RF).

## 五、水力控制阀SHT400X-10.16.25 系列

Waterpower control valve

## 法兰式流量控制阀

Flange flow control valve

### ※结构及用途

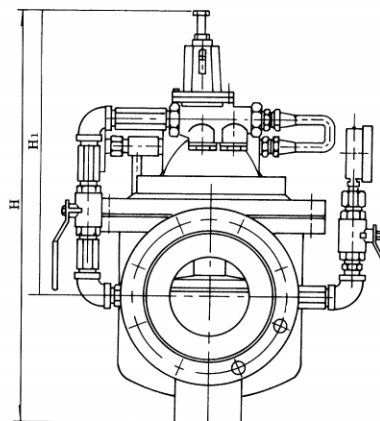
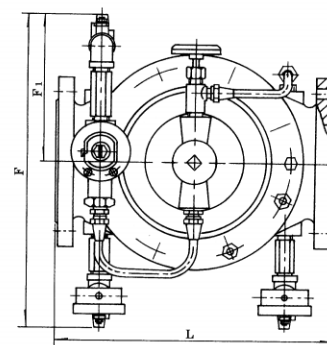
该阀由主阀、针阀、流量调节阀、导阀和球阀等组成。流量控制阀设置在给水管线中，可按设定值调正阀门上部导阀及流量调节阀到某一固定流量，就可使通过主阀的流量保持不变，即使主阀上游发生变化也不会对流量产生影响。

### Structure and purpose

The valve is made up of master valve, needle valve, flow regulating valve, pilot valve and ball valve etc. The flow control valve can be fixed in pipeline of water supply. Keeping the constant flow through the master valve, the flow of the pilot valve and flow regulating valve can be adjusted according to a set point. Even if the uprive flow of master valve changes, it has no effect on the outlet flow.

### ※主要技术参数 Main technology parameters

公称压力(MPa) Nominal pressure	1.0	1.6	2.5
壳体试验压力(MPa) Shell test pressure	1.5	2.4	3.75
密封试验压力(MPa) Seal test pressure	1.1	1.76	2.75
出口压力 可调整的范围 (MPa) Range of outlet pressure	0.09-0.8	0.10-1.2	0.15-1.6
压力特性 $\Delta P_1 P_2$ Characteristic of pressure	$P_2 \times 8\%$	$P_2 \times 10\%$	$P_2 \times 12\%$
流量特性 $\Delta P_1 P_2$ Characteristic of pressure	$P_2 \times 15\%$	$P_2 \times 20\%$	$P_2 \times 25\%$
介质温度 Suitable temperature	$\leq 80^\circ\text{C}$		
适用介质 Suitable medium	水(Water)		
隔膜型 Disseiment type	DN20~DN450		
活塞型 Pluger type	DN350~DN800		



### ※主要外形尺寸 Main exterior dimensions

公称通径(mm) Nominal dimension	尺寸 Dimension (mm)				
	L	F1	F	H1	H
20	150	136	292	179	212
25	160	136	292	179	212
32	180	136	292	179	212
40	200	155	330	210	265
50	203	155	330	210	265
65	216	165	350	215	310
80	241	175	365	245	350
100	292	195	410	302	460
125	330	220	455	365	520
150	356	230	475	415	570
200	495	255	530	510	840
250	622	300	326	560	890
300	698	340	700	658	1030
350	787	415	840	696	1090
400	914	430	880	735	1150
450	978	430	880	735	1150
500	978	410	780	750	1110
600	1230	456	888	850	1286
700	1650	560	1130	865	1460
800	1750	610	1230	975	1640

法兰连接尺寸：铁制阀门按GB4216.4(5)-84标准，钢制阀门按GB/T9113.1-2000 (RF)标准。  
Flange connecting dimension; The iron valve accords to GB4216.4(5)-84standard, the steel valve to GB/T9113.1-2000 (RF) standard.

## 六、水力控制阀SHT500X-10.16.25 系列

Waterpower control valve



### ※主要技术参数 Main technology parameters

公称压力 (MPa) Nominal pressure	1.0	1.6	2.5
壳体试验压力 (MPa) Shell test pressure	1.5	2.4	3.75
密封试验压力 (MPa) Seal test pressure	1.1	1.76	2.75
出口压力可 调节的范围 (MPa) Range of outlet pressure	0.09-0.8	0.10-1.2	0.15-1.6
介质温度 Suitable temperature	≤80°C		
适用介质 Suitable medium	水 (Water)		
隔膜型 Dissepiment type	DN20~DN450		
活塞型 Plunger type	DN350~DN800		

### ※主要外形尺寸 Main exterior dimensions

公称通径 (mm) Nominal dimension	尺寸 Dimension (mm)				
	L	F1	F	H1	H
20	150	130	333	463	557
25	160	130	333	463	557
32	180	130	333	463	557
40	200	140	343	516	610
50	203	140	343	516	610
65	216	140	355	520	625
80	241	145	360	537	642
100	292	155	400	596	750
125	330	165	420	653	808
150	356	180	435	709	864
200	495	205	480	805	1135
250	622	225	530	855	1185
300	698	245	575	953	1325
350	787	275	620	990	1385
400	914	285	668	1030	1145
450	978	285	668	1030	1145
500	978	410	780	750	1110
600	1230	456	888	850	1286
700	1650	422	770	1160	1755
800	1750	458	805	1515	2230

法兰连接尺寸:铁制阀门按GB4216.4(5)-84标准,钢制阀门按GB/T9113.1-2000标准。

Flange connecting dimension: The iron valve accords to GB4216.4(5)-84 standard, the steel valve to GB/T9113-2000(RF) standard.

## 法兰式泄压/持压阀

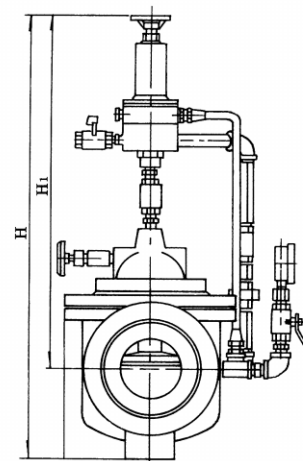
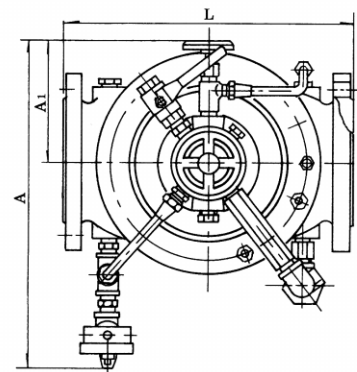
Flange atmospheric/keeping pressure valve

### ※结构及用途

该阀由主阀、导阀、针阀、球阀与压力表等组成。泄压持压阀在管线上能有效地将超过导阀安全设定值之压力泄压释放,防止对管线与设备因超压而损坏。该阀主要用于高层大楼消防测试循环系统的泄压,以防止水压过高造成系统故障。可维持主阀上游压力于某一设定值以上,保障主阀上游供水区的压力。适用于工矿企业、高层建筑中由水泵直接供水及生活用水管网系统。

### Structure and use

The valve is made up of master valve, pilot valve, needle valve, ball valve and pressure gauge etc. Atmospheric valve and keeping pressure valve can release the pressure that exceeds the safe set point of pilot valve, so it can prevent the pipeline and equipment from damage. The valve is used to test the pressure of circular system against fire in skyscraper. So it can prevent the skyscraper due to the system faults. It also can keep an expecting pressure, which assures that the pressure of upriver area of master valve is higher than the set point. The valve is applied to the pipeline network system of water supply pump in the industrial, mining enterprise and the skyscraper.



## 七、水力控制阀SHT600X-10.16.25 系列

## 法兰式水力电动控制阀

Waterpower control valve

Flange waterpower and electric control valve

### ※结构及用途

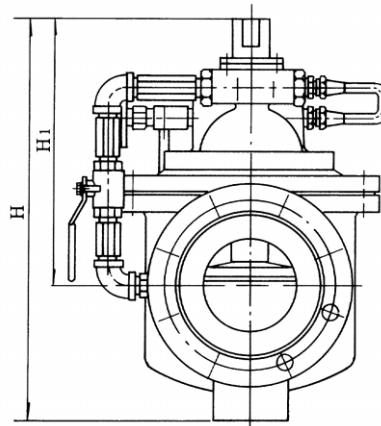
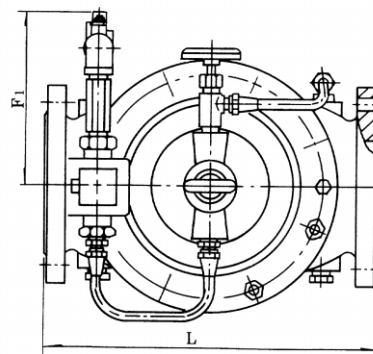
该阀主要由主阀、针阀、电磁向导阀与球阀等组成。水力电动控制阀安装在管路中作为遥控开启和关闭的功能。在此阀上加装手动控制装置，当停电或电路出现故障时，此阀亦可开启或关闭，维修简单、使用方便、安全可靠。

### Structure and purpose

The valve is made up of master valve, needle valve, electromagnetic valve and ball valve etc. Water and electric power control valve is installed in pipeline as a function of open-close in remote control. After fixed the manual control device, the valve still can be opened and closed under conditions of power lossing or faults in the circuit. It is easy to maintain, convenient to operate and reliable to perform.

### ※主要技术参数 Main technology parameters

公称压力(MPa) Nominal pressure	1.0	1.6	2.5
壳体试验压力(MPa) Shell test pressure	1.5	2.4	3.75
密封试验压力(MPa) Seal test pressure	1.1	1.76	2.75
介质温度 Suitable temperature	≤80℃		
最低动作压力(MPa) Lowest acting pressure	$P_1 \geq 0.07$		
电磁阀 Electromagnetic valve	24V		
适用介质 Suitable medium	水(Water)		
隔膜型 Diaphragm type	DN20~DN450		
活塞型 Plunger type	DN350~DN800		



### ※主要外形尺寸 Main exterior dimensions

公称通径(mm) Nominal dimension	尺寸 dimension (mm)			
	L	F1	H1	H
20	150	136	179	212
25	160	136	179	212
32	180	136	179	212
40	200	155	210	265
50	203	155	210	265
65	216	165	215	310
80	241	175	245	350
100	292	195	302	460
125	330	220	365	520
150	356	230	415	570
200	495	255	510	840
250	622	300	560	890
300	698	340	658	1030
350	787	415	696	1090
400	914	430	735	1150
450	978	430	735	1150
500	978	410	750	1110
600	1230	456	850	1286
700	1650	560	865	1460
800	1750	610	975	1640

法兰连接尺寸：铁制阀门按GB4216.4(5)-84标准，钢制阀门按GB/T9113.1-2000(RF)标准。

Flange connecting dimension: the iron valve accords to GB4216.4(5)-84 standard, the steel valve to GB/T9113.1-2000(RF) standard.



## 八、水力控制阀SHT700X-10.16.25 系列

Waterpower control valve

## 法兰式水泵控制阀

Flange water pump control valve

### ※结构及用途

该阀主要由主阀、针阀、电磁向导阀、单向阀、球阀、电器控制开关与压力表等组成。水泵控制阀是能够控制水泵的止回阀，当水泵停止运行前，由进口压力先关闭主阀的90%时，使水泵自动停止，剩下的10%由回水关闭，可完全防止水锤现象产生。适用于工矿企业、高层建筑中由水泵直接供水管网系统。

### Structure and purpose

The valve is made up of master valve, needle valve, electromagetic valve, one way valve, ball valve, electric control switch and pressure gauge etc. The water pump control valve is a kind of check valve to control pump. Before the pump runs off, first the inlet pressure closes 90 percent position of master valve, the pump will stop automatically. The rest 10 percent position can be closed by refluxing flow to avoid the phenomenon of water hammer. The valve is applied to the pipeline network system of water pump in the industrial, mining enterprises, and the skyscrapers.

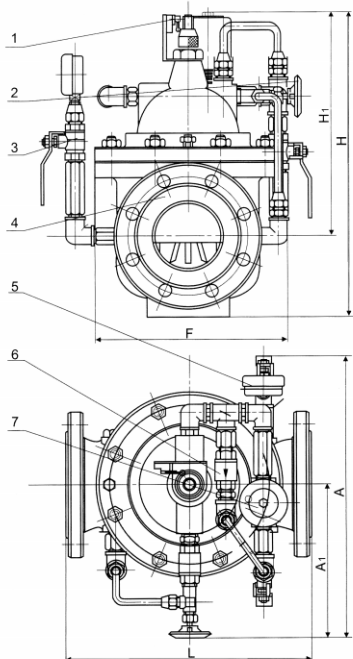
### ※主要技术参数 Main technology parameters

公称压力(MPa) Nominal pressure	1.0	1.6	2.5
壳体试验压力(MPa) Shell test pressure	1.5	2.4	3.75
密封试验压力(MPa) Seal test pressure	1.1	1.76	2.75
介质温度 Suitable temperature	≤80℃		
最低动作压力(MPa) Lowest acting pressure	$P_1 \geq 0.07$		
电磁阀 Electromagetic valve	24V		
适用介质 Suitable medium	水(Water)		
隔膜型 Dissepiment type	DN20~DN450		
活塞型 Plunger type	DN350~DN800		



### ※主要外形尺寸 Main exterior dimensions

公称通径(mm) Nominal dimension	尺寸 Dimension (mm)					
	L	A1	L	H1	H	F
20	150	292	136	342	247	116
25	160	292	136	342	247	116
32	180	292	136	342	247	116
40	200	330	155	395	278	168
50	203	330	155	395	278	168
65	216	350	165	405	298	180
80	241	365	175	430	313	210
100	292	410	195	510	350	284
125	330	455	220	560	365	310
150	356	475	230	585	420	370
200	495	530	255	675	450	463
250	622	623	300	730	470	525
300	698	700	340	760	490	625
350	787	840	415	840	526	705
400	914	880	430	910	570	778
450	978	930	460	1030	610	778
500	978	980	490	1135	665	690
600	1230	1060	530	1270	725	785
700	1650	1130	560	1460	865	980
800	1750	1230	610	1640	975	1050



法兰连接尺寸：铁制阀门按GB4216.4(5)-84标准，  
钢制阀门按GB/T9113.1-2000(RF)标准。

Flange connecting dimension: The iron valve accords to GB4216.4(5) 84 standard, the steel valve to GB/T9113.1-2000(RF) standard.

## 九、水力控制阀SHT900X-10.16.25 系列

Waterpower control valve

## 法兰式紧急关闭阀

Flange emergency closing valve

### ※结构及用途

该阀由主阀、针阀、导阀、球阀与压力表等组成。紧急关闭阀用于生活小区中消防用水与生活用水并联的供水系统中。当消防用水时阀门自动紧急关闭生活用水保证消防用水。当消防结束时，阀门自动打开恢复生活供水。比传统的消防单独供水更能节约成本。

### structure and purpose

The valve is made up of master valve, pilot valve, ball valve and pressure gauge etc. The emergency closing valve is used to water supply system against fire and living water in the residential section. If there are any emergency happened, the valve of water supply system can be shut off automatically and immediately. So it keep enough water supply against fire. Compared with traditional independent water supply against fire, this valve can save the cost.

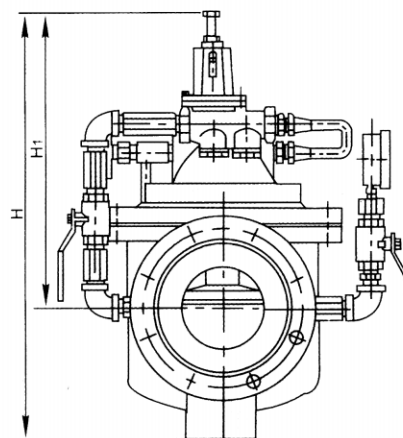
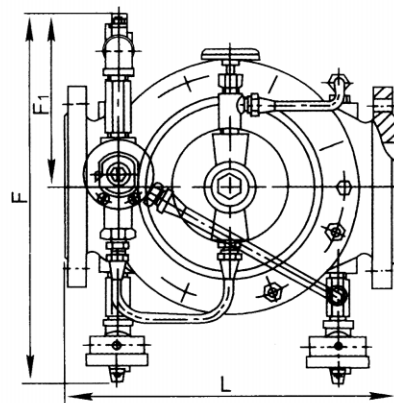
### ※主要技术参数 Main technology parameters

公称压力(MPa) Nominal pressure	1.0	1.6	2.5
壳体试验压力(MPa) Shell test pressure	1.5	2.4	3.75
密封试验压力(MPa) Seal test pressure	1.1	1.76	2.75
最大入口压力(MPa) Largest entrance pressure	1.0	1.6	2.5
出口压力可调节的范围 (MPa) Range of outlet pressure	0.09-0.8	0.10-1.2	0.15-1.6
介质温度 Suitable temperature	≤80°C		
最低动作压力 Lowest acting pressure	$P_1 \geq 0.07$		
适用介质 Suitable medium	水(Water)		
隔膜型 Dissepiment type	DN20~DN450		
活塞型 Plunger type	DN350~DN800		



### ※主要外形尺寸 Main exterior dimensions

公称通径(mm) Nominal dimension	尺寸 Dimension (mm)				
	L	F1	F	H1	H
20	150	136	292	247	342
25	160	136	292	247	342
32	180	136	292	247	342
40	200	155	330	278	395
50	203	155	330	278	395
65	216	165	350	298	405
80	241	175	365	313	430
100	292	195	410	350	510
125	330	220	455	365	560
150	356	230	475	420	585
200	495	255	530	450	675
250	622	300	326	470	730
300	698	340	700	490	760
350	787	415	840	526	840
400	914	430	880	570	910
450	978	430	880	570	910
500	978	410	780	750	1100
600	1230	456	888	850	1286
700	1650	560	1130	865	1460
800	1750	610	1230	975	1640



法兰连接尺寸:铁制阀门按GB4216.4(5)-84标准,钢制阀门按GB/T9113.1-2000(RF)标准。

Flange connecting dimension: The iron valve accords to GB4216.4(5)-84 standard, the steel valve to GB/T9113.1-2000(RF)standard.

## 十、水力控制阀SHT100D-10.16.25 系列

Waterpower control valve

## 法兰式定水位阀

Flange water lever control valve

### ※结构及用途

该阀由主阀、导阀、球阀与浮球阀等组成。100D控制液面变化范围大，可减少水泵开启次数，液位可在4~10cm范围内自由调节，有特殊要求液面可控制在100cm内。适用于工矿企业、企业、高层建筑中的水箱、水池、水塔的自动供水系统。

### structure and purpose

The valve is made up of master valve, pilot valve, ball valve, and float ball valve etc. The valve can control large-scale range of liquid level and reduce the pump opening frequency. The range of liquid level can be adjusted within 4~10cm. The range of liquid lever also can be adjusted within 100cm on special requests. It is applied to automatic water supply system in the industrial and mining enterprise, corporation and cistern, pool and water tower of skyscraper.

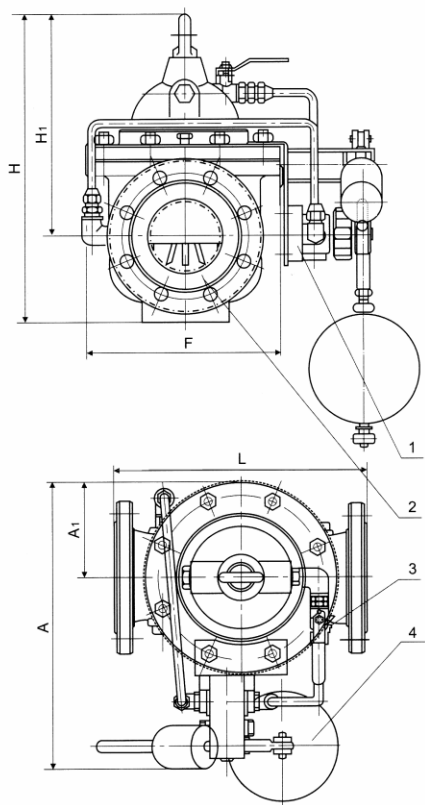
### ※主要技术参数 Main technology parameters

公称压力(MPa) Nominal pressure	1.0	1.6	2.5
壳体试验压力(MPa) Shell test pressure	1.5	2.4	3.75
密封试验压力(MPa) Seal test pressure	1.1	1.76	2.75
介质温度 Suitable temperature	≤80℃		
最低动作压力(MPa) Lowest acting pressure	$P_1 \geq 0.07$		
适用介质 Suitable medium	水(Water)		
隔膜型 Dissepiment type	DN20~DN400		
活塞型 Plunger type	DN350~DN800		



### ※主要外形尺寸 Main exterior dimensions

公称口径(mm) Nominal dimension	尺寸 Dimension (mm)					
	L	A	A1	H	H1	F
20	180	200	58	212	179	116
25	180	200	58	212	179	116
32	180	200	58	212	179	116
40	240	225	85	265	210	170
50	240	225	85	265	210	170
65	250	230	90	310	215	180
80	285	245	105	350	245	210
100	360	285	138	460	305	275
125	400	295	155	520	365	310
150	455	318	178	570	415	355
200	585	370	230	695	510	460
250	650	390	250	780	560	500
300	800	430	290	905	658	580
350	860	460	320	1025	696	640
400	960	496	356	1080	735	715
450	1075	530	390	1030	610	780
500	1075	555	415	1135	665	830
600	1230	600	460	1270	725	920
700	1650	630	490	1460	865	980
800	1750	665	525	1640	975	1050



法兰连接尺寸：铁制阀门按GB4216.4(5)-84标准，钢制阀门按GB/T9113.1-2000(RF)标准。

Flange connecting dimension: The iron valve accords to GB4216.4(5)-84 standard, the steel valve to GB/T9113.1-2000(RF) standard.

## 角形定水位阀

## 十一、水力控制阀SHT100A-16 系列 Waterpower control valve

## Angle type water level control valve



### ※结构及用途

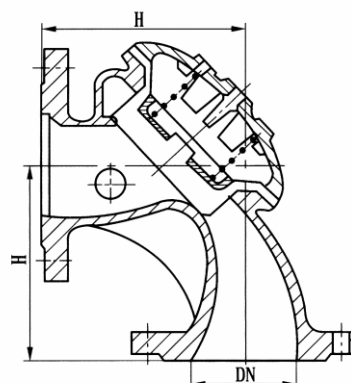
该阀由角形主阀、针阀、球阀、浮球阀与内部强化尼龙布、弹簧等组成，并由主阀外部的浮球导阀控制主阀的启闭。当水池中的水位达到设定水位时，浮球导阀先行关闭后，主阀随之关闭。当水池中的水位下降约10cm后浮球导阀开启，主阀随之开启，向水池内大量充水。因此液位控制准确，水位不受压力波动干扰，开闭紧密不漏水，且安装简单、维护方便（控制浮球阀可与主阀分离安装）。

### Structure and purpose

The valve is made up of angle type master valve, needle valve, ball valve, float valve, inner intensify nelyo and spring etc. The exterior float valve of the master valve controls the master valve open-close. When the liquid level arrives at the set point, the float valve closes, subsequently the master valve closes. when liquid level descend 10cm the float valve opens, then master valve opens, and water pour into the pool. So liquid level is accurate, the fluctuation of pressure will not interfere it. Tight open-close ensures no leakage, the installation is easy and the maintenance is convenient (the float can be separated from master valve).

### ※主要技术参数 Main technology parameters

公称压力(MPa) Nominal pressure	1.0	1.6
壳体试验压力(MPa) Shell test pressure	1.5	2.4
密封试验压力(MPa) Seal test pressure	1.1	1.76
介质温度 Suitable temperature	≤80°C	
最低动作压力(MPa) Lowest acting pressure	P <sub>1</sub> ≥ 0.1	
适用介质 Suitable medium	水、油品 Water, Oil	



### ※主要零件材料 Main part materials

零件名称 Name	阀体、阀盖 Body, Bonnet	阀瓣 Valve clack	弹簧 Spring	膜片 Dissepiment
材料 Material	铸铁 Cast iron	不锈钢 Stainless steel		强化尼龙+NBR Noly+NBR

### ※主要外形尺寸 Main exterior dimensions

公称通径DN(mm) Nominal dimension	50	65	80	100	125	150	200	280	300
H	125	145	155	175	200	225	275	325	375

铁制阀门法兰连接尺寸按GB4216.4(5)-84标准，钢制阀门按GB/T9113.1-2000(RF)标准。

The flange connecting dimension of iron valve is according to GB4216.5-84, that of steel valve is in compliance with GB/T9113.1-2000(RF).

## 十二、水力控制阀SHT100S-10.16 系列

Waterpower control valve

## 角形隔膜式排泥阀

Angle type dissepiment mud valve



### ※结构及用途

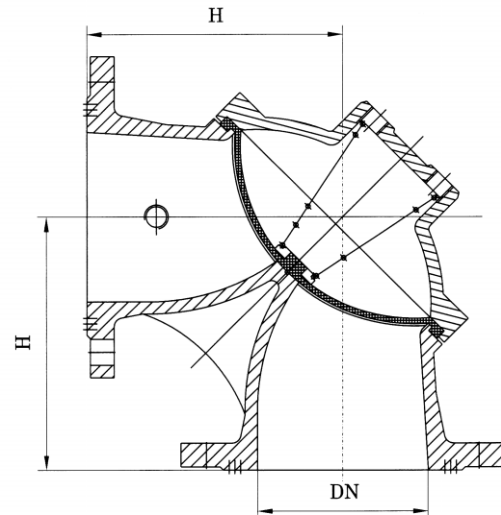
该阀由角形主阀、针阀、单向阀、球阀与电磁阀组成，内部采用强化膜片，压缩弹簧等组成，主要适用于水处理系统作为排除水池内部泥沙、污物及废水等，其驱动介质可直接用自来水，具有开启平稳快捷，运动磨损小，安装操作维护方便。

### Structure and purpose

The valve is made up of angle master valve, needle valve, one way valve, ball valve and electromagnetic valve etc. It adopts intensified diaphragm and compression spring internally. It is applied to water treatment system to remove sand, feculence, waste water and so on. The driving medium come from tap water directly, the valve opens smoothly and quickly and it is of little abrasion and convenient to fix and maintain.

### ※主要技术参数 Main technology parameters

公称压力(MPa) Nominal pressure	1.0	1.6
壳体试验压力(MPa) aShell test pressure	1.5	2.4
密封试验压力(MPa) Seal test pressure	1.1	1.76
介质温度 Suitable temperature	≤80°C	
最低动作压力(MPa) Lowest acting pressure	$P_1 \geq 0.1$	
适用介质 Suitable medium	水、油品 Water, Oil	



### ※主要零件材料 Main part materials

零件名称 Name	阀体、阀盖 Body, Bonnet	阀瓣 Valve clack	弹簧 Spring	膜片 Dissepiment
材料 Material	铸铁 Cast iron	不锈钢 Stainless steel		强化尼龙+NBR Noly+NBR

### ※主要外形尺寸 Main exterior dimensions

公称通径DN(mm) Nominal dimension	50	65	80	100	125	150	200	250	300
H	125	145	155	175	200	225	275	325	375

铁制阀门法兰连接尺寸按GB4216.4(5)-84标准，钢制阀门按GB/T9113.1-2000(RF)标准。

The flange connecting dimension of iron valve is according to GB4216.4(5)-84, that of steel valve is in compliance with GB/T9113.1-2000(RF).

### 十三 水力控制阀SJ744X、SJ644X-10 系列

### 液压气动角式快开排泥阀

Waterpower control valve

Hydraulic, pneumatic angle type quick mud valve

#### ※结构及用途

该阀由液压缸和角式截止阀组合而成，液压缸内动力带动阀瓣升降，使阀体通道开或闭，以达到流体通断。安装在各类沉淀池底部壁外，用以排除池底的泥沙、污物。液压缸的活塞密封件为L型皮碗，其密封性能好，经久耐用。阀瓣与阀座为软密封，密封性能好，无泄漏。采用电动二位四通换向阀或手动二位四通换向阀集中控制，操作方便。

#### Structure and purpose

The valve is made up of hydraulic cylinder and angle globe valve, the interior motivity drives disc lifting, so it can control liquid on-off by opening-closing body gangway. The valve can be fixed in the outer wall of bottom of all kinds of pools in order to eliminate sand and contamination. Plunger seal components of hydraulic cylinder is type of L cup leather which has good seal and durable performance. Disc and valve seat are soft which have good seal without any lackage. It can be controlled by electric or manual two position four way and operated conveniently.



#### ※主要零件材料 Main parts materials

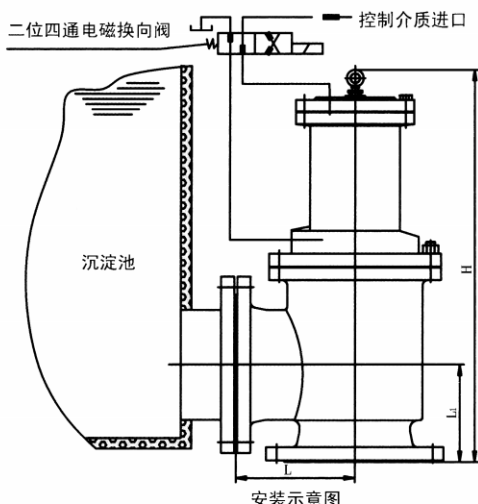
名称 Name	阀体、阀盖 Body, Bonnet	压板、阀盘 Hold-down plate, Valve plate	阀杆 Spindle	膜片 Dissepiment
材料 Material	铸铁、碳钢 Cast iron, Carbon steel	球铁、青铜 Nodular iron, Bronze	不锈钢 Stainless steel	尼龙强化橡胶 Noly enhancing rubber

#### ※主要技术参数 Main technology parameters

公称压力 (MPa) Nominal pressure	1.0	1.6
壳体试验压力 (MPa) Shell test pressure	1.5	2.4
密封试验压力 (MPa) Seal test pressure	1.1	1.76
适用温度 Suitable temperature	0~80℃	
液压缸工作压力 (MPa) Working pressure	0.15~1.0	
液压缸工作介质 Working medium	水、气 Water, Gas	

#### ※主要外形尺寸 Main exterior dimensions

公称通径 (mm) Nominal dimension	尺寸Dimension (mm)			接管 螺纹 Nozzle screw	阀杆 材料 Spindle material
	H	L	L1		
80	480	135	125	1/2"	不锈钢 Stainless steel
100	500	145	125	1/2"	
150	620	175	145	1/2"	
200	735	225	185	1/2"	
250	805	260	205	1/2"	
300	940	280	245	3/4"	
350	1100	305	270	3/4"	
400	1200	340	310	1"	
500	1260	470	460	1"	
600	1260	580	560	1"	



铁制阀门法兰连接尺寸按GB4216.4(5)-84标准，钢制阀门按GB/T9113.1-2000(RF)标准。

The flange connecting dimension of iron valve is according to GB4216.4(5)-84, steel valve is in compliance with GB/T9113.1-2000(RF).

## 十四、水力控制阀SJM744X、SJM644X-10 系列

## 膜片式液压气动快开阀

Waterpower control valve

Dissepiment hydraulic、pneumatic quick open valve

### ※结构及用途

该阀采用双室隔膜传动机构替代活塞式，无运动磨损，寿命长。安装在各类沉淀水池的底部壁外，用以排除池底的泥沙及污物。

### Structure and purpose

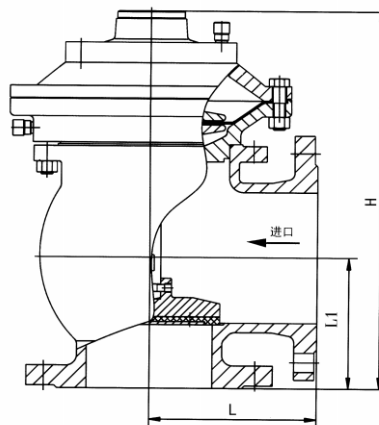
The valve adopts two rooms dissepiment transmission instead of type of plunger, so it has long life-span because of non motive abrasion. The valve can be fixed into bottom outer wall of all kinds of pools for eliminating sand and contamination.

### ※主要技术参数 Main technology parameters

型号 Type	公称压力(MPa) Nominal pressure	壳体试验压力(MPa) Shell test pressure	隔膜传动介质 Suitable medium	隔膜传动工作压力(MPa) Working pressure	介质温度 Medium temperture
JM744X-10 JM644X-10	1.0	1.5	清水、气 Pure water, Gas	0.15~1.0	0~80℃

### ※主要零件材料 Main parts material

名称 Name	阀体、阀盖 Body, Bonnet	压板、阀盘 Hold-down plate, Valve plate	阀杆 Spindle	膜片 Dissepiment
材料 Material	铸铁、碳钢 Cast iron, Carbon steel	球铁、青铜 Nodular Cast steel, Bronze	不锈钢 Stainless steel	尼龙强化橡胶 Noly enhancing rubber



### ※主要外形尺寸 Main exterior dimension

公称通径(mm) Nominal dimension	100	150	200	250	300	350	400	500	600
L	160	190	225	260	280	315	340	470	580
L <sub>1</sub>	120	150	190	220	260	300	340	460	560
H	370	440	530	615	785	880	970	1070	1260

铁制阀门法兰连接尺寸按GB4216.4(5)-84标准，钢制阀门按GB/T9113.1-2000(RF)标准。

The flange connecting dimension of iron valve is according to GB4216.4(5)-84, that of steel valve is in compliance with GB/T9113.1-2000(RF).

## 十五、多功能水力控制阀简述

### Brief introduction of multifunctional waterpower control valve

#### ※结构特点

多功能水力控制阀可分为隔膜型和活塞型两大类，两者工作原理相同。它由一个主阀(如图1、2)及其外装导阀、调节阀、导管和压力表等组成并配合使用目的、功能及场所的不同而演变成多功能水泵控制阀、水力(遥控)浮球阀、减压阀、安全泄压阀、电动遥控阀。

#### Structure characteristics

Multifunctional control valve for waterpower can be divided into two types of diaphragm and plunger, which have same working principle. The valve is made up of master valve (figure 1, 2) and exterior pilot valve, regulating valve, pipe and pressure gauge. It also can serve as multifunctional pump control valve, (remote control) float valve for waterpower, reducing valve, safe atmospheric valve, electric remote control valve.

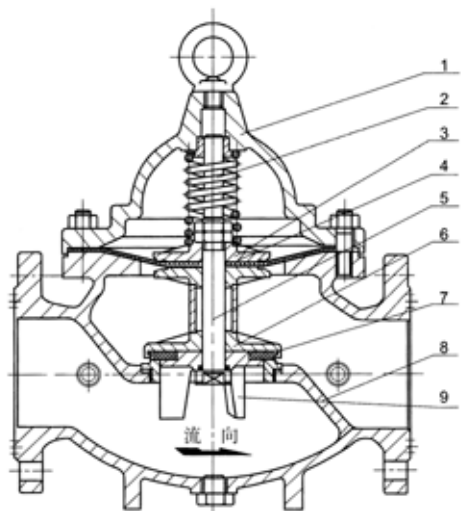
#### ※工作原理

#### Working principle

多功能水泵控制阀有双室隔膜片(活塞)控制室，利用液压原理控制大(小)阀盘缓慢开启或快速关闭处于调节状态。另外还可在阀盖上安装一个调节螺杆，控制主阀实际需要的开启高度。

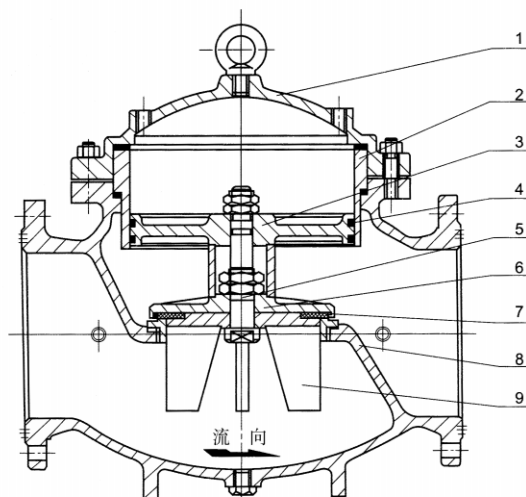
Multifunctional pump control valve has two control rooms of diaphragm (plunger). The disc opens gradually or closes quickly according to hydraulic pressure principle which make it in the adjusting condition. Besides adjusting screw rod can be fixed into bonnet to control opening height of master valve in practical needs.

1. 全开状态：当水泵启动后，出水压力上升，水泵出水一方面产生推动大阀盘打开的力，一方面进入控制室里膜片(活塞)的下腔。上腔的水与主阀出水相连而泄掉，阀门在控制速度下缓慢开启。
1. Full open condition: when pump starts-up, the outlet pressure increases. Water not only produces power to drive the big disc, but also enters into under room of diaphragm (plunger), water of over room joints to outlet and rushes down, so valve opens gradually under controlling speed.
2. 全闭状态：当水泵停机后，阀门中介质流速降低，在接近于零时，与阀杆组件滑动配合的大阀盘在自身重量和弹簧力的作用下迅速关闭，阀门压力水进入控制室膜片(活塞)的上腔，并推动膜片(活塞)使阀盘缓慢关闭。
2. Full close condition: when pump stops, medium flow declines in valve, when flow approximates to zero the big disc sliding spindle closes quickly due to itself weight and spring force. Water enters into over room of diaphragm (plunger), and it pushes diaphragm (plunger) to close the disc.



图一 隔膜型主阀

Fig. 1 Diaphragm type master valve



图二 活塞型主阀

Fig. 2 Plunger type master valve



## ※主要零件材质 Main parts materials

编号 Code		零件名称 Part name	材质 Material	编号 Code		零件名称 Part name	材质 Material
隔膜型 Dissepiment	活塞型 Plunger			隔膜型 Dissepiment	活塞型 Plunger		
1	1	阀盖 Bonnet	铸铁、球铁、铸钢 Cast iron, Cast steel Nodular cast iron	5	7	压缩弹簧 Compression spring	硅锰钢 Sicilon—manganese steel
2		膜片压板 Hold down plate	球铁 Nodular cast iron		5	缸体 Cylinder	铸铁、球铁、铸钢 Cast iron, Cast steel Nodular cast iron
	2	缸套 Cylinder cover	不锈钢 Stainless steel	6	6	阀体 Body	铸铁、球铁、铸钢 Cast iron, Cast steel Nodular cast iron
3		膜片 Dissepiment	丁腈橡胶 NBR	7	8	阀杆 Spindle	不锈钢 Stainless steel
	3	活塞 Plunger	球铁 Nodular cast iron	8	9	阀盘 Valve plate	球铁 Nodular cast iron
4		膜片座 Dissepiment Seat	铸铁、球铁、铸钢 Cast iron, Cast steel Nodular cast iron	9	10	密封垫 Gland	丁腈橡胶 NBR
	4	皮碗 Cup leather	丁腈橡胶 NBR	10	11	密封垫压板 Gland hold down plate	青铜 Bronze



## 十六、多功能水力控制阀SJD745X-10.16.25 系列

## 水泵控制阀

Multifunctional waterpower control valve

Water pump control valve

### ※结构及用途

该阀由主阀、调节阀、过滤器等组成，安装在高层建筑给水系统的水泵出口管道上，防止介质倒流，消除水锤产生，具有截止阀、逆止阀、水锤消除器等多种功能，有效提高供水系统的安全可靠性满足系统工程设备自动化控制要求。

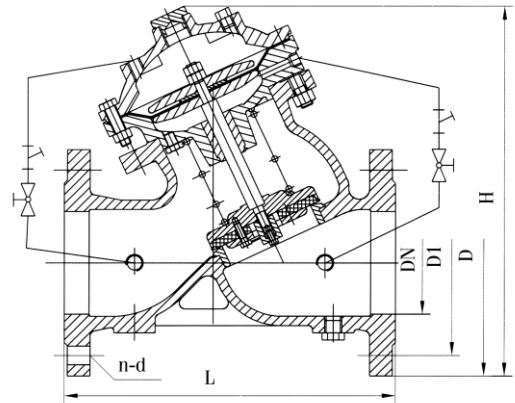
### Structure and purpose

The valve is made up of master valve, regulating valve, filter etc. It is fixed in pump outlet pipe of water supply system in skyscraper to prevent flow from regorging and eliminate water hammer. The valve has the functions of globe valve, check valve, eliminator of water hammer. It improves safety and reliability of water supply system to satisfy the requests of automatic control on engineering devices.

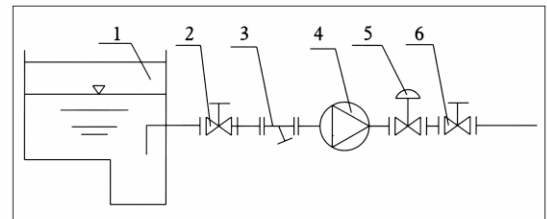


### ※主要技术参数 Main technology parameters

公称压力(MPa) Nominal pressure	1.0	1.6	2.5
壳体试验压力(MPa) Shell test pressure	1.5	2.4	3.75
密封试验压力(MPa) Seal test pressure	1.1	1.76	2.75
介质温度 Medium temperature	≤80℃		
水锤峰值 Peak value of water hammer	≤1.5倍(工作压力) ≤1.5times(Working pressure)		
最低动作压力 Lowest acting pressure	$P_1 \geq 0.07$		
缓闭时间 Slow close time	3~60S (可调 Adjustable)		
压力损失 Pressure loss	≤0.03 (流速2m/s, Flow 2m/s)		
适用介质 Suitable medium	水、油品 Water, Oil		



### ※安装示意图 Assembly illustration



### ※主要外形尺寸 Main exterior dimension

DN	L	H	DN	L	H	DN	L	H
50	205	293	200	500	673	500	978	1256
65	216	328	250	605	792	600	1200	1600
80	250	364	300	698	927	700	1450	1750
100	320	418	350	787	957	800	1560	1900
125	365	481	400	914	1188	900	1800	2100
150	415	543	450	978	1218	1000	2000	2400

铁制阀门法兰连接尺寸按GB4216.4(5)-84标准，钢制阀门按GB/T9113.1-2000(RF)标准。

The flange connecting dimension of iron valve is according to GB4216.4(5)-84, that of steel valve is in compliance with GB/T9113.1-2000(RF).

## 十七、多功能水力控制阀SF745X-10.16.25 系列

Multifunctional waterpower control valve

## 遥控浮球阀

Remote control float ball valve

### ※结构及用途

该阀由主阀、调节阀、过滤器、浮球等组成，安装在水箱、水池、水塔的自动供水系统的进水管中。当水池水位达到预定水位时，阀门自动关闭，当水位下降时，阀门自动开启补水。具有关闭严密可靠、流阻小、流量大、液位控制准确、运行安全、安装简便、维护方便。（浮球可和主阀分离安装）。

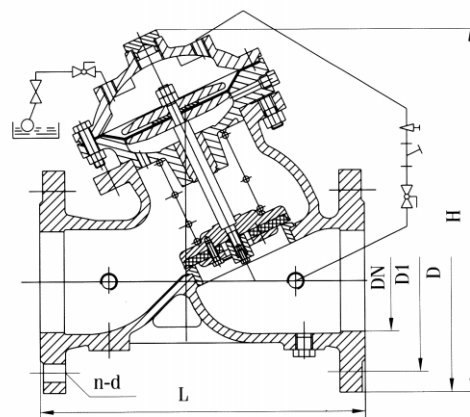


### Structure and purpose

The valve is made up of master valve, regulating valve, filter and float ball etc, it can be fixed in inlet pipe in automatic water supply system of cistern, pool and water tower. When liquid level arrives at the scheduled set point, the valve closes automatically, when liquid level declines, the valve opens automatically to compensate water. So it is of safe and reliable closing, little flow resistance, large flow, accurate liquid level. And it is safe to run, easy to fix, convenient to maintain. (float ball can be separated from master).

### ※主要技术参数 Main technology parameters

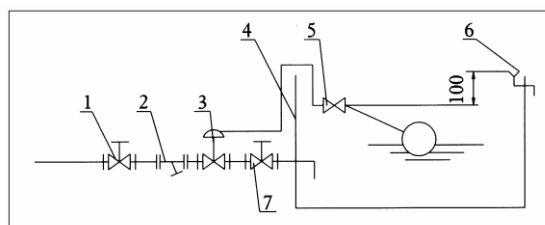
公称压力(MPa) Nominal pressure	1.0	1.6	2.5
壳体试验压力(MPa) Shell test pressure	1.5	2.4	3.75
密封试验压力(MPa) Seal test pressure	1.1	1.76	2.75
最低动作压力(MPa) Lowest acting pressure	$P_1 \geq 0.07$		
介质温度 Medium temperature	$\leq 80^\circ\text{C}$		
适用介质 Suitable medium	水、油品 Water, Oil		



### ※主要外形尺寸 Main exterior dimension

DN	L	H	DN	L	H	DN	L	H
50	205	293	200	500	673	500	978	1256
65	216	328	250	605	792	600	1200	1600
80	250	364	300	698	927	700	1450	1750
100	320	418	350	787	957	800	1560	1900
125	365	481	400	914	1188	900	1800	2100
150	415	543	450	978	1218	1000	2000	2400

### ※安装示意图 Assembly illustration



铁制阀门法兰连接尺寸按GB4216.4(5)-84标准，钢制阀门按GB/T9113.1-2000(RF)标准。

The flange connecting dimension of iron valve is according to GB4216.4(5)-84, that of steel valve is in compliance with GB/T9113.1-2000(RF).

## 十八、多功能水力控制阀SYX741X-10.16.25 系列

## 可调式减压阀

Multifunctional waterpower control valve

Adjustable reducing valve

### ※结构及用途

该阀由主阀、导阀、调节阀、过滤器和压力表等组成，主要安装在给水系统、消防供水系统中需要减压的管道上，将较高的上游压力降为符合要求的下游使用压力，具有减压效果，安全可靠、调压操作方便、节能效果好。

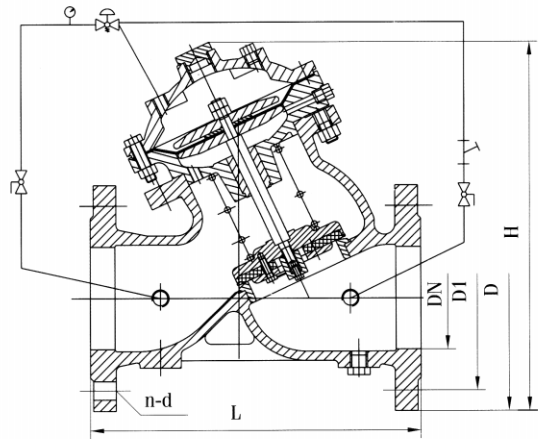
### Structure and purpose

The valve is made up of master valve, pilot valve, regulating valve, filter and pressure gauge etc. It can be fix in pipes which need to reduce pressure in water supply and fire control system. The valve declines upriver higher pressure to conform to downstream using pressure. It can reduce pressure, adjust pressure conveniently and save energy effectively.



### ※主要技术参数 Main technology parameters

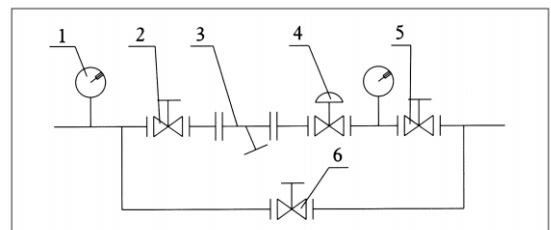
公称压力 (MPa) Nominal pressure	1.0	1.6	2.5
壳体试验压力 (MPa) Shell test pressure	1.5	2.4	3.75
密封试验压力 (MPa) Seal test pressure	1.1	1.76	2.75
出口压力调节范围 (MPa) Adjusting range of outlet pressure	0.1-0.9	0.13-1.3	0.13-2.2
介质温度 Medium temperature	≤80°C		
适用介质 Suitable medium	水、油品 Water, Oil		



### ※主要外形尺寸 Main exterior dimension

DN	L	H	DN	L	H	DN	L	H
50	205	293	200	500	673	500	978	1256
65	216	328	250	605	792	600	1200	1600
80	250	364	300	698	927	700	1450	1750
100	320	418	350	787	957	800	1560	1900
125	365	481	400	914	1188	900	1800	2100
150	415	543	450	978	1218	1000	2000	2400

### ※安装示意图 Assembly illustration



铁制阀门法兰连接尺寸按GB4216.4(5)-84标准，钢制阀门按GB/T9113.1-2000(RF)标准。

The flange connecting dimension of iron valve is according to GB4216.4(5)-84, that of steel valve is in compliance with GB/T9113.1-2000(RF).

## 十九、多功能水力控制阀SAX742X-10.16.25 系列

## 安全泄压/持压阀

Multifunctional waterpower control valve Atmospheric/pressure retaining valve

### ※结构及用途

该阀由主阀、导阀、调节阀、过滤器和压力表等组成，安装在消防给排水系统及其他给水管道上，当给水管路中压力超过泄压阀设定压力时，即自动开启泄压，防止压力急剧增高而损坏给水管线及设备，并维持给水管线中压力于安全值以下，确保管线安全运行。

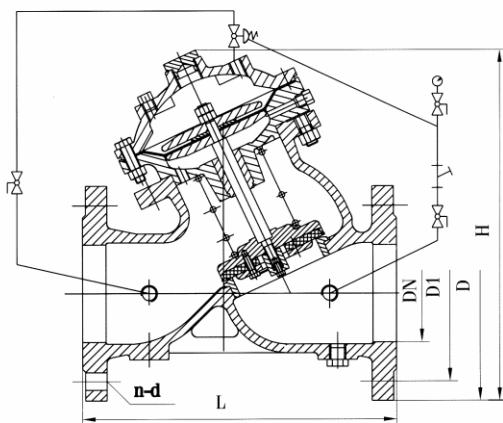
### Structure and purpose

The valve is made up of master valve, pilot valve, regulating valve, filter and pressure gauge etc. It can be fixed in pipe of water supply and drainage for fire control or others. When the pipe pressure exceeds the set point, the valve releases the pressure automatically to protect pipelines and equipments from damage which results from dramatically increasing pressure in the pipes. It also keep safe pressure in the water supply pipes to ensure that the pipeline runs safely.



### ※主要技术参数 Main technology parameters

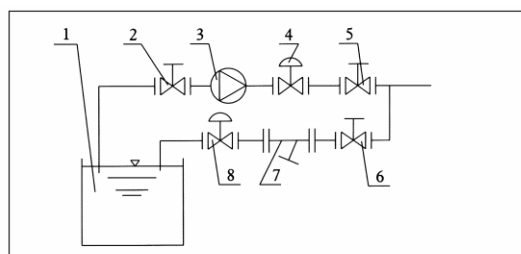
公称压力(MPa) Nominal pressure	1.0	1.6	2.5
壳体试验压力(MPa) Shell test pressure	1.5	2.4	3.75
密封试验压力(MPa) Seal test pressure	1.1	1.76	2.75
出口压力调节范围(MPa) Adjustable range of outlet pressure	0.1-0.9	0.13-1.3	0.13-2.2
介质温度 Medium temperature	≤80℃		
适用介质 Suitable medium	水、油品 Water, Oil		



### ※主要外形尺寸 Main exterior dimension

DN	L	H	DN	L	H	DN	L	H
50	205	300	200	500	778	500	978	1324
65	216	337	250	605	889	600	1200	1600
80	250	467	300	698	1010	700	1450	1750
100	320	520	350	787	1037	800	1560	1900
125	365	580	400	914	1264	900	1800	2100
150	415	640	450	978	1294	1000	2000	2400

### ※安装示意图 Assembly illustration



铁制阀门法兰连接尺寸按GB4216.4(5)-84标准，钢制阀门按GB/T9113.1-2000(RF)标准。

The flange connecting dimension of iron valve is according to GB4216.4(5)-84, that of steel valve is in compliance with GB/T9113.1-2000(RF).

## 二十、多功能水力控制阀SJ145X-10.16.25 系列

Multifunctional waterpower control valve

Electric remote control valve

### ※结构及用途

该阀由主阀、电磁阀、调节阀、过滤器等组成，安装在各类给排水系统的管线上，根据电信号或手动操作，实行阀门启闭，具有准确快速的控制反应，并可调节关闭速度，使阀门平衡关闭而不会产生压力波动。

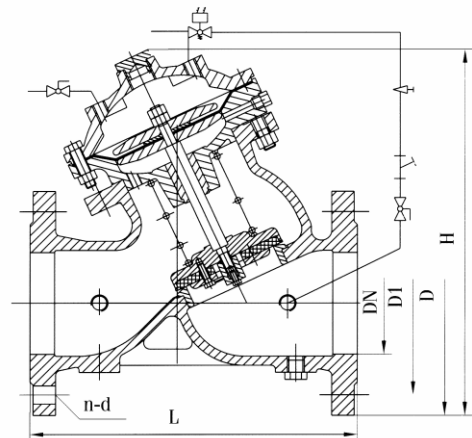
### Structure and purpose

The valve is made up of master valve, electromagitic valve, regulating valve and filter etc. It can be fixed in all kinds of water supply and drainage pipes. According to electric signal or manual operation, the valve can be opened and closed, it also has accurate and quick reaction, the closing speed can be adjusted. The valve keeps balance during its closing and does not cause pressure fluctuation.



### ※主要技术参数 Main technology parameters

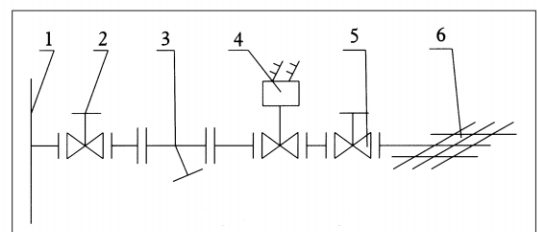
公称压力(MPa) Nominal pressure	1.0	1.6	2.5
壳体试验压力(MPa) Shell test pressure	1.5	2.4	3.75
密封试验压力(MPa) Seal test pressure	1.1	1.76	2.75
介质温度 Medium temperature	≤80℃		
适用介质 Suitable medium	水、油品 Water, Oil		



### ※主要外形尺寸 Main exterior dimensions

DN	L	H	DN	L	H	DN	L	H
50	205	320	200	500	696	500	978	1270
65	216	367	250	605	810	600	1200	1600
80	250	400	300	698	943	700	1450	1750
100	320	452	350	787	1200	800	1560	1900
125	365	522	400	914	1230	900	1800	2100
150	415	592	450	978	1230	1000	2000	2400

### ※安装示意图 Assembly illustration



铁制阀门法兰连接尺寸按GB4216.4(5)-84标准，钢制阀门按GB/T9113.1-2000(RF)标准。

The flange connecting dimension of iron valve is according to GB4216.4(5)-84, that of steel valve is in compliance with GB/T9113.1-2000(RF) standard.



## 二十一、减压阀SFY46T- 16.25 系列

Reducing valve

### ※结构及用途

该阀主要由主阀、控制导阀、过滤器、针阀、球阀及旁通管道节流部位等组成。适用于温度小于80℃的水及非腐蚀性液体（汽油、煤油）和气体等需要降低到一定范围的设备和管路系统上，通过调节将进口压力降低至某一需要的出口压力值。当进口压力或流量发生变化时，靠介质本身的能量可自动保持出口压力在一定的范围内。

### Structure and purpose

The valve is made up of master valve, controllable pilot valve, filter, needle valve, ball valve and by pass pipe etc. It is applied to expecting pressure equipment and pipeline system of water, non-erosive liquid (gasoline, kerosene) and gas which temperature are below 80℃, the outlet pressure can be adjusted by changing inlet pressure. When the inlet pressure or the flow changes, the outlet pressure can keep a certain range depending on the energy of medium.



### ※主要技术参数 Main technology parameters

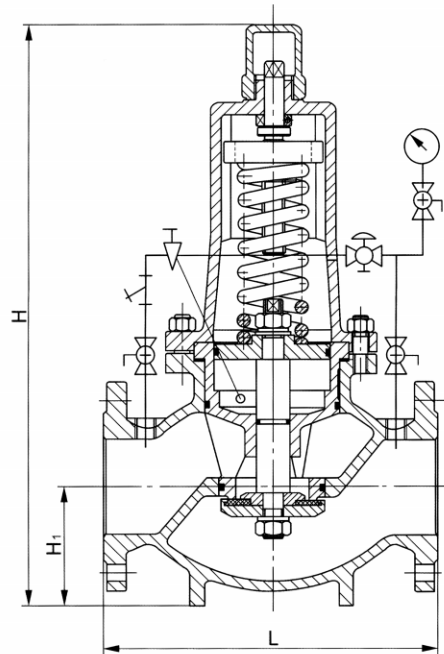
型号Type	公称口径(mm) Nominal dimension	公称压力(MPa) Nominal pressure	强度试验压力(MPa) Shell test pressure	最大进口压力(MPa) Largest inlet pressure	出口压力分段(MPa) Sectorial pressure of outlet pressure		
SFY46T-16	65-250	1.6	2.4	1.6	0.08-0.2	0.2-0.5	0.5-1.2
SFY46T-16C	300-400				0.08-0.2	0.2-0.5	0.5-1.0
SFY46T-25	65-250	2.5	3.75	2.5		0.2-0.5	0.5-1.2
	300-400					0.2-0.5	0.5-1.0

### ※主要零件材料 Main part materials

零件名称 Name	材质 Material
阀体、阀盖 Body, Bonnet	铸铁、碳钢、球铁 Cast iron, Carbon steel Nodular cast iron
阀杆、活塞、阀瓣 Spindle, Plunger, Disc	不锈钢 Stainless steel
阀座 Valve seat	铜 Copper
过滤器、球阀、针阀 控制导阀 Filter, Ball valve Needle valve, Pilot valve	
弹簧 Spring	硅锰钢 Si-Mn steel
密封垫 Gland	丁腈橡胶 NBR

### ※主要外形尺寸 Main exterior dimensions

公称口径(mm) Nominal dimension	尺寸 Dimension (mm)		
	L	H1	H
65	290	100	560
80	310	105	580
100	350	125	650
125	400	140	685
150	480	160	915
200	600	190	1015
250	730	220	1220
300	850	250	1250
400	1100	320	1275



铁制阀门法兰连接尺寸按GB4216.4(5)-84标准，钢制阀门按GB/T9113.1-2000(RF)标准。

The flange connecting dimension of iron valve is according to GB4216.4(5)-84, steel valve is to GB/T9113.1-2000(RF) standard.

## 二十二、减压阀Y42X-16.25.40.64 系列

Reducing valve

## 弹簧活塞式减压阀

Spring plunger reducing valve

### ※结构及用途

该阀主要由阀体、阀盖、弹簧、活塞、阀座等组成，采用阀后压力直接传递作用于活塞上，下方压力保持最佳平衡状态，动作灵敏快捷，适用于介质温度0~90℃的水、空气和非腐蚀性液体管路上，可取代常规分区水管，简化和节省系统设备，降低工程造价。

### Structure and purpose

The valve is made up of body, bonnet, spring, plunger and valve seat etc. The back pressure of the valve acts on plunger directly, and down pressure can keep the best balance condition, the action is sensitive and rapid. The valve is applied to pipelines of water, gas, non-erosive liquid temperature of which is between 0~90℃. It also can replace the routine divisional pipe, simplify and save the system equipment and reduce the project cost.

### ※主要技术参数 Main technology parameters

公称压力 Nominal pressure MPa	进口压力 Inlet pressure P1 (MPa)	试验压力 Test pressure MPa	出口压力P <sub>2</sub> (MPa) Outlet pressure		动静压差 Different pressure MPa	出口压力 偏差值 Outlet pressure deviation
			DN ≤ 50	DN ≥ 65		
1.0	≤ 1.0	1.5	0.1-0.8	0.1-0.8	0.06	5%
1.6	≤ 1.6	2.4	0.1-1.0	0.2-1.2	0.10	10%
2.5	≤ 2.5	3.75	0.15-1.6	0.25-1.6	0.15	
4.0	≤ 4.0	6.0	0.2-2.5	0.3-2.5	0.25	15%
6.4	≤ 6.4	9.6	0.3-4.0	0.4-4.0	0.40	20%
10.0	≤ 10.0	15.0	0.45-6.0	0.6-6.2	0.65	30%

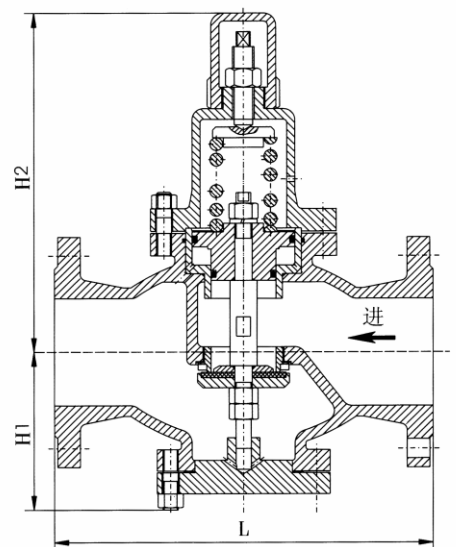


### ※主要零件材料 Main part materials

零件名称 Name	材料 Material
阀体、上盖、下盖 Body, Uper and down bonnet	灰铸铁、铸钢 Grey cast iron, Cast steel
调节弹簧 Regulating spring	硅锰钢 Silicon-manganese steel
活塞 Plunger	不锈钢 Stainless steel
缸套 Cylinder cover	

### ※主要外形尺寸 Main exterior dimensions

DN	L			H1				H2			
	PN16 25	PN40 64		PN16	PN25	PN40	PN64	PN16	PN25	PN40	PN64
20	160	160	170	90	90	90	90	220	220	220	220
25	180	200	200	95	95	100	105	255	255	265	265
32	200	220	220	100	100	100	110	255	255	265	265
40	220	240	240	115	115	130	130	325	325	330	330
50	250	270	270	120	120	135	135	325	325	330	330
65	260	280	300	125	125	130	145	330	330	340	355
80	310	330	330	135	135	150	160	340	340	340	340
100	350	380	380	108	108	185	185	317	317	360	360
125	400	450	450	190	200	200	245	560	560	565	565
150	450	500	500	205	210	210	280	580	580	585	585
200	500	560	560	220	245	245	310	630	630	635	635
250	600			270							
300	800			310							
350	850			390							
400	900			420							



铁制阀门法兰连接尺寸按GB4216.4(5)-84标准，钢制阀门按GB/T9113-2000标准。

The flange connecting dimension of iron valve conforms to GB4216.4(5)-84, steel valve to GB/T9113-2000.



## 二十三、减压阀Y43H-16.25.40.64 系列

Reducing valve

## 蒸气减压阀

Vapour reducing valve

### ※结构及用途

该阀适用于蒸汽、空气等气体管路上，通过减压阀的调节，可使进口压力降至某一需要的出口压力，当进口压力或流量变动时，减压阀依靠介质本身的能量可自动保持出口压力在小范围内波动。

### Structrue and purpose

The valve is applied to pipelines of steam and air, the inlet pressure can be declined to a certain expected outlet pressure by adjusting the reducing valve. When the inlet pressure or the flow change, the valve can keep the outlet pressure flunctuation in a small range by medium itself energy.

### ※主要零件尺寸 Main parts dimensions

公称压力 (MPa) Nominal pressure	公称通 (mm) Nominal dimension	尺寸 Dimension (mm)		
		L	H <sub>1</sub>	H <sub>2</sub>
1.6	20	160	89	312
	25	180	101	315
	32	200	107	320
	40	220	113	325
	50	250	120	335
	65	260	125	340
	80	310	140	360
	100	350	150	390
	125	400	190	440
	150	450	205	440
	200	500	220	475
	250	600	270	545
2.5	300	800	335	575
	350	850	390	650
	400	900	430	705
	25	200	101	315
	32	200	107	320
	40	220	113	325
	50	250	120	335
	65	260	125	340
	80	310	140	360
	100	350	150	390
	125	400	190	425
	4.0	150	450	210
200		500	245	485
250		600	270	545
300		800	335	575
350		850	390	650
400		900	430	710
25		200	101	315
32		220	107	320
40		240	113	325
50		270	120	335
65		280	140	365
6.3 (6.4)		80	330	150
	100	380	150	385
	125	450	190	425
	150	500	210	445
	200	560	245	485
	25	200	110	370
	32	220	125	380
	40	240	130	395
50	270	135	405	
65	300	145	410	
80	330	170	445	
100	380	175	455	
125	450	245	504	
150	500	280	555	
200	560	310	581	

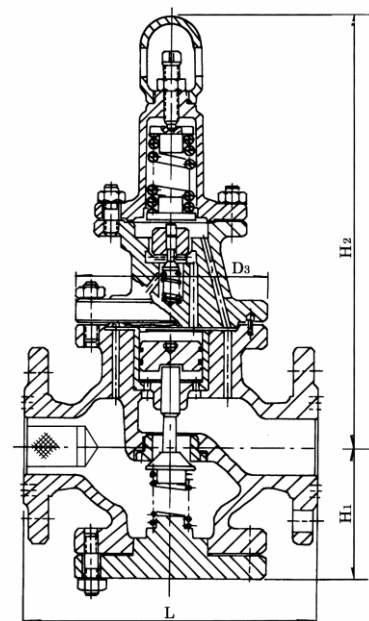
铁制阀门法兰连接尺寸按GB4216.4(5)-84标准，钢制阀门按GB/T9113-2000标准。

The flange connecting dimension of iron valve conforms to GB4216.4(5)-84, steel valve to GB/T9113-2000.



### ※主要零件材料 Main part materials

零件名称 Name	材料 Material
阀体、阀盖 Body, Bonnet	灰铸铁、碳钢、不锈钢 Gray cast iron, Carbon steel, Stainless steel
副阀座、副阀瓣、膜片 主阀座、主阀瓣、活塞 Valve seat, Plunger Dissepiment, Disc	不锈钢 Stainless steel
弹簧 Spring	铬钒钢 Chrome-vanadium steel
调节弹簧 Regulating spring	硅锰钢 Si-Mn steel
活塞环 Plunger ring	合金铸铁 Alloy cast iron



## 二十四、减压阀YK43X-16.25.40.64 系列

## 气体减压阀

### Reducing valve

### Air reducing valve

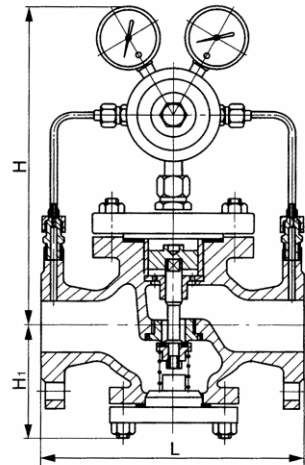
#### ※结构及用途

该阀主要由主阀和导阀两大部件组成。适用于工作温度低于80℃的空气、液化气、氧气等气体管路上。使用时旋转调节螺杆，顶开导阀盘，介质由阀前导管通过导阀腔进入主阀上盖，促使介质压力推动活塞，使主阀盘开启，介质流向阀后，同时由阀后压力进入导阀直接传递并作用于膜片下方与膜片上方压力保持最佳平衡状态，达到减压目的。



#### Structure and purpose

The valve is made up of master valve and pilot valve. It is applied to gas pipeline of air, gasol, oxygen of temperature which is below 80℃. First the adjusting screw must be rotated to push on disc of pilot valve, which makes the medium enter into upper cover of master valve through the front pipe of valve, then the master valve is opened when the pressure pushes plunger, and then the medium flows valve back, meanwhile the valve back pressure transfers and pushes on the under diaphragm, which keeps balance with the upper pressure of diaphragm to aim at reducing pressure.



#### ※主要外形尺寸 Main exterior dimensions

公称通径 Nominal dimension	L(mm)		H(mm)	H1(mm)
	PN10.16.25	PN40.64	PN10~64	PN10~64
20	160	180	240	75
25	180	200	245	80
32	200	220	250	85
40	220	240	265	100
50	250	270	280	115
65	280	300	300	135
80	310	330	310	145
100	350	380	330	165
125	400	450	355	190
150	450	500	375	210
200	550	550	410	245
250	650	650	440	274
300	800	800	480	314
350	850	850	520	355
400	900	900	560	395
500	1075	1075	595	430
600	1295	1295	680	515

#### ※主要零件材料 Main part materials

零件名称 Name	材料 Material
阀体、阀盖、下盖 Body, Bonnet, Down cover	球铁、碳钢 Nodular cast iron carbon steel
导阀 Poilt valve	铜或不锈钢 Copper or stainless steel
活塞 Plunger	铜 Copper
缸套、阀杆 Cylinder cover, Spindle	不锈钢 Stainless steel
弹簧 Spring	硅锰钢 Si-Mn steel
膜片 Dissepiment	丁腈橡胶 NBR
密封垫 Gland	丁腈橡胶或聚四氟乙烯 NBR or PTFE

铁制阀门法兰连接尺寸按GB4216.4(5)-84标准，钢制阀门按GB/T9113.1-2000标准。

The flange connecting dimension of iron valve conforms to GB4216.4(5)-84, steel valve to GB/T9113.1-2000.

## ※主要技术参数 Main technology parameters

型号 Type	YK43X-16Q	YK43X-25	YK43X-40	YK43X-64
公称压力(MPa) Nominal pressure	1.6	2.5	4.0	1.6
壳体试验压力(MPa) Shell test pressure	2.4	3.8	6	2.4
出口压力P1(MPa) Outlet pressure P1	≤1.6	2.5	4	≤1.6
出口压力P2(MPa) Outlet pressure P2	0.05-1.1	0.05-1.1	0.05-1.1	0.05-1.1
适用介质 Suitable medium	空气、液化气、氧气 (Air, Gasol, Oxygen)			
介质温度 Medium temperature	≤70℃			
压力特性偏差 Pressure characteristic deviation	<p>稳定流动状态下, 当流量等参数不变时, 进口压力在80~105%的最高压力(工作)范围内变化, 其出口压力的偏差值<math>4P1 \leq \pm 5\%P1</math></p> <p>Under the stable flowing condition, when the flow parameter is constant, the change range of inlet pressure is among 80~105%, the discrepancy of outlet pressure is <math>4P1 \leq \pm 5\%P1</math></p>			
流量特性偏差 Flow characteristic deviation	<p>稳定流动状态下, 当进口压力等参数不变时, 流量在20~100%的最大流量范围内变化, 其出口压力的偏差值<math>4P1 \leq -10\%P2</math></p> <p>Under the stable flowing condition, when the flow parameter is constant, the change range of flow is among 20~100%, the discrepancy of outlet pressure is <math>4P1 \leq -10\%P2</math></p>			
静态特性偏差 Static characteristic deviation	<p>稳定流动状态下, 当进口压力和流量等参数的变化, 所引起出口压力的变化, 其值<math>4P1 \leq -10\%P2</math></p> <p>Under the stable flowing condition, when the inlet pressure and flow parameter change, the change range of outlet pressure is <math>4P1 \leq -10\%P2</math></p>			



## 二十五、减压阀YB43X-16.25 系列

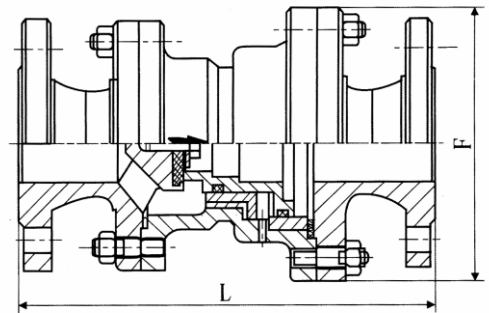
Reducing valve

### ※结构及用途

该阀是利用阀内浮动活塞两端不同的截面积构成了阀前与阀后的压力差，改变阀后的压力达到减压目的。该产品结构独特、性能优越、流量大、开关平稳、无噪声、比例准确、即“减动压”又“减静压”，并且有减少乃至消除“水锤”现象对管件与供水器具的破坏，消除不必要的振动，节约水源保护网管的作用。本公司提供的标准压力比为2:1、3:1、4:1、5:1、3:2、5:2等并可根据用户的要求设计特殊比例的减压阀。

### Structure and purpose

According to the different section area on both float plunger sides, the different pressure of the valve front and valve back can be produced. The valve arrives at reducing pressure purpose by changing the pressure of valve back. The product is characterized of distinctive structure, superior function, large flow, smooth open-close, non-noise, accurate proportion. It also can decline and even eliminate water hammer phenomenon, to protect pipes and apparatus of water supply and save water resource. we offer standard pressure ratio including: 2:1, 3:1, 4:1, 5:1, 3:2, 5:2 and special ratio are available on requests.



### ※主要技术参数 Main technology parameters

型号 Type	YB43X-16	
连接方式 Connecting way	法兰 Flange	
适用介质 Suitable medium	水、气 Water, gas	
介质温度 Medium temperature	≤80℃	
额定工作压力 Rated pressure	1.0MPa	1.6MPa
压力误差 Pressure error	±2.5%	
最小开启压力 Lowest open pressure	2:1	0.2MPa
	3:1	0.3MPa

### ※主要零件材料 Main part materials

零件名称 Name	材料 Material
阀体、进出口法兰 Body, inlet outlet flange	铸铁、铸钢 Cast iron, Cast steel
活塞、大小缸套 Plunger, big and small cylinder cover	青铜或不锈钢 Bronze or stainless steel

## 比例式减压阀

Proportional reducing valve

### ※主要外形尺寸 Main exterior dimensions

型号 Type	DN	L	F
YB43X-16 2:1 3:1 3:2 4:1 5:1 5:2	25	230	125
	32	250	145
	40	255	160
	50	270	180
	65	300	190
	80	320	220
	100	340	240
	125	400	280
	150	430	320
	200	460	380

铁制阀门法兰连接尺寸按GB4216.4(5)-84标准，钢制阀门按GB/T9113.1-2000(RF)标准。

The flange connecting dimension of iron valve conforms to GB4216.4(5)-84, steel valve to GB/T9113.1-2000(RF).



## 二十六、减压阀YP43X-10.16T(P) 系列

Reducing valve

### ※结构及用途

该阀主要由阀体、进口压盖、活塞、出口压盖及O型圈、密封垫等零件组成，利用阀内浮动活塞两端不同的截面积造成压力差从而改变进水与出水的压力状况，达到减压目的。该产品结构严谨、运行流畅、体型轻巧、便于安装、比例准确，即“减动压”又“减静压”，适用于清洁水和海水。本公司提供的标准压力比2:1、3:1、3:2、4:1、5:1、5:2等，并可根据用户的要求设计特殊比例减压阀。

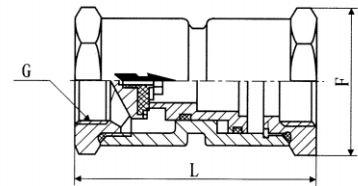
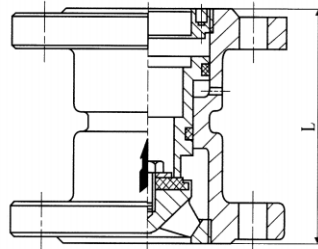
### Structure and purpose

The valve is made up of body, inlet cover, plunger, outlet cover, O ring and gland etc. Taking advantage of the differ pressure of both float plunger side which results from different sectional area, the pressure status of the outlet and inlet is changed to fulfill reducing pressure purpose. The products have compact structure, smooth action, dexterous body form, accurate proportion, it is applicable to pure water and seawater. We offer standard pressure ratios including: 2:1, 3:1, 4:1, 5:1, 5:2 and can design special ratios which are available on request.



比例式减压阀

Proportional reducing valve



### ※主要技术参数 Main technology parameters

型号 Type	Y13X-16T	Y43X-16T
连接方式 Connecting way	内螺纹 Interior screw	法兰 Flange
适用介质 Suitable medium	水、气 Water, gas	
介质温度 Suitable temperature	≤80℃	
额定工作压力 Rated pressure	1.6MPa	
压力误差 Pressure error	±2.5%	
最小开启压力 Lowest open pressure	2:1	0.2MPa
	3:1	0.3MPa

### ※主要外形尺寸 Main exterior dimensions

型号 Type	YP13X-16	2:1	3:1	3:2	5:1	5:2
DN	15	20	25	32	40	50
G(inch)	1/2"	3/4"	1"	1 1/4"	1 1/2"	2"
L	80	80	90	100	110	100
F	50	50	54	60	68	80
连接方式 Connect	管螺纹 Gas thread					

型号 Type	DN(mm)	L(mm)
YB43X-16	25	115
	32	124
	40	132
	50	140
	65	155
	80	155
	100	200
	125	220
	150	230
	200	270

### ※主要零件材料 Main parts materials

零件名称 Name	材质 Material
阀体 Body	青铜或不锈钢 Bronze or Stainless steel
活塞 Plunger	
进口压盖 Inlet cover	
出口压盖 Outlet cover	

铁制阀门法兰连接尺寸按GB4216.4(5)-84标准，钢制阀门按GB/T9113.1-2000(RF)标准。

The flange connecting dimension of iron valve is conform GB4216.4(5)-84, steel valve to GB/T9113.1-2000(RF).

## 二十七、减压阀YP43(13)-10.16T、P(B型)系列

## 短系列比例式减压阀

Reducing valve

Short series proportional reducing valve

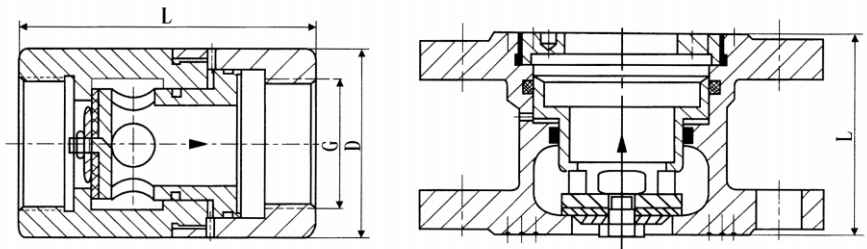
### ※结构及用途

该短阀由阀体、活塞、压盖及O型圈、密封垫等零件组成。该阀在阀门内腔设置浮动式活塞，利用活塞两端不同的横截面积，从而形成进水与出水的压力差，达到减压目的。该产品即减“动压”又减“静压”，结构严谨、运行流畅、体积小重量轻，便于安装与维护，采用先进的工艺制造与表面处理，防腐防锈对水质绝无污染。本公司提供的标准压力比：2:1、3:1、4:1、5:1、5:2等，并可根据用户的要求设计特殊比例减压阀。



### Structure and purpose

The short valve is made up of body, plunger, cover, O ring and gland etc. Float plunger is installed in internal body, utilizing the different pressure resulted from the different section area of both float plunger sides, the valve can reduce pressure. The product is of the compact structure, smooth action, small volume, light weight. So the valve is convenient to fix and maintain. Adopted advanced manufacturing and surface processes the valve will not pollute water from corrosion and antirust. we offer standard pressure ratio including: 2:1, 3:1, 4:1, 5:1, 5:2, and special ratios which are available on requests.



### ※主要技术参数 Main technology parameters

型号 Type	Y13X-16T	Y43X-16T
连接方式 Connecting way	内螺纹 Interior screw	法兰 Flange
适用介质 Suitable medium	水、气 Water, gas	
介质温度 Suitable temperature	≤80°C	
额定工作压力 Rated pressure	1.0MPa	1.0MPa
压力误差 Pressure deviation	±2.5%	
最小开启压力 Lowest open pressure	2:1	0.2MPa
	3:1	0.3MPa

### ※主要外形尺寸 Main exterior dimensions

型号 Type	Y13X-16T(P)	2:1	3:1	3:2	5:1	5:2
DN	15	20	25	32	40	50
G(inch)	1/2"	3/4"	1"	1 1/4"	1 1/2"	2"
L	80	80	90	100	110	120
D	50	50	54	60	68	80

### ※主要零件材料 Main part materials

零件名称 Name	材料 Material
阀体、阀盖 Body, Bonnet	铸铁、铸钢、青铜 不锈钢、Cast iron Cast steel、Bronze Stainless steel
活塞 Plunger	青铜或不锈钢 Bronze or Stainless steel

型号 Type	公称压力(MPa) Nominal pressure	DN(mm)	L(mm)
YP43X-16T(P) (B型)	1.0	50	85
		65	102
		80	122
		100	140
		125	160
		150	175
YP43X-16T(P) (B型)	1.6	150	175
		200	230

铁制阀门法兰连接尺寸按GB4216.4(5)-84标准，钢制阀门按GB/T9113.1-2000(RF)标准。

The flange connecting dimension of iron valve conforms to GB4216.4(5)-84, steel valve to GB/T9113.1-2000(RF).

## 二十八、减压阀Y110、Y410、Y416、Y425-10.16.25系列

## 减压稳压阀

Reducing valve

Reducing/stable pressure valve

### ※结构及用途

Y110、Y410、Y416、Y425型减压稳压阀由阀体、阀盖、压缩弹簧、阀杆、活塞（膜片）、缸套、阀座及密封垫等零件组成。采用阀后压力直接传递并作用于活塞（膜片）上方，压力保持最佳平衡状态，达到减压、稳压。动作灵敏、性能可靠、使用寿命长。适用介质：冷热水、压缩空气及油类等。

### Structure and purpose

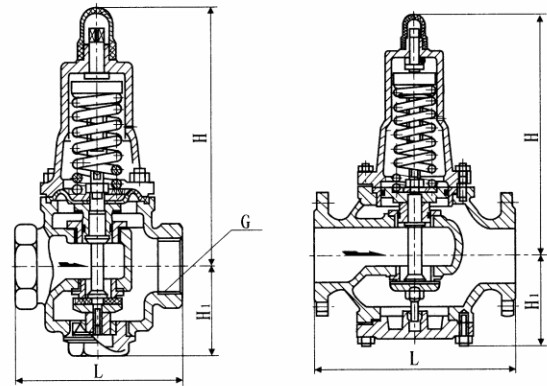
The series reducing/stable pressure valve is made up of body, bonnet, compression spring, spindle, plunger (dissepiment), valve seat and gland etc. Taking advantage of pressure of valve back which is directly transferred to and acts on the upper of plunger (dissepiment), the pressure of the valve keeps the best balance condition to arrive at reducing pressue purpose. The valve is of smooth action, reliable function, long life-span. The suitable mediums are water, compressed air and oil ect.

### ※主要技术参数 Main technology parameters

型号 Type	Y110、Y410	Y416、Y116	Y125
工作压力(MPa) Working pressure	1.0	1.6	2.5
试验压力(MPa) Test pressure	1.5	2.4	3.75
阀后压力调节范围 Valve back adjusting pressure range	0.1-0.6	0.1-1.0	0.2-1.6
动静压差 Static and dynamic different pressure	≤0.08	≤0.12	≤0.15
阀后调压范围误差 Valve back adjusting pressure range deviation	±10%	±12%	±15%
阀后压力稳定性不超过阀前压力变化范围 The valve back pressure stability does not excess valve front pressure range	10%	12%	15%

### ※主要外形尺寸 Main exterior dimensions

型号 Type	Y410 Y416 Y425			Y110 Y116			
	L	H	H <sub>1</sub>	G (inch)	L	H	H <sub>1</sub>
公称通径(mm) Nominal dimension							
15	160	170	75	1/2"	100	135	41
20	160	170	75	3/4"	100	135	41
25	180	188	77	1"	120	158.2	45
32	200	192	82	1 1/4"	150	180	53
40	200	270	98	1 1/2"	150	196	56
50	220	270	98	2"	180	201	58
65	280	310	138				
80	310	403	152				
100	350	448	170				
125	450	570	222				
150	520	590	242				
200	550	640	262				



### ※主要零件材料 Main part materials

零件名称 Name	材料 Material
阀体、阀盖、下盖 Body, Bonnet, Down cover	灰铸铁、碳钢 Gray cast iron, Carbon steel
膜片 Dissepiment	尼龙强化橡胶 Nylon enhancing rubber
密封垫 Gland	丁腈橡胶 NBR
压缩弹簧 Compression spring	硅锰钢 Silicon-Manganese steel
活塞、缸套、阀杆 Plunger, Cylinder cover Spindle	不锈钢 Stainless steel

铁制阀门法兰连接尺寸按GB4216.4(5)-84标准,, 钢制阀门按GB/T9113.1-2000(RF)标准。

The flange connecting dimensions of iron valve conform to GB4216.4(5)-84, steel valve to GB/T9113.1-2000(RF).

## 二十九、减压阀YHT200P-10.16T 系列

## 内螺纹减压阀

Reducing valve

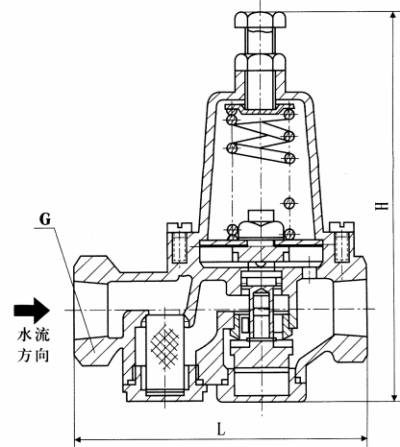
Inside screw reducing valve

### ※结构及用途

该阀为内螺纹连接，由阀体、阀盖、压缩弹簧、阀杆及膜片等组成，内部附有过滤网便于清除杂物。为一可直接调试减压阀，具有动作灵敏，性能可靠，使用寿命长，体型小巧，易于安装等特点。可水平或垂直安装于给水、消防系统及其他系统中。在一定范围内可控制该阀出口压力为相对固定值。

### Structure and purpose

The valve is made up of body, bonnet, compression spring, spindle and diaphragm etc. The connecting type is internal screw. The inner filter net is helpful to efficiently remove sundries. It is of smooth action, reliable function, long life-span, small volume and can be adjusted directly. The valve can be fixed in the system of water supply, fire control and other systems horizontally or vertically. The inlet pressure can be controlled to a relative unchanged point in a range.



### ※主要技术参数 Main technology parameters

型号 Type	公称通径(mm) Nominal dimension	试验压力Test pressure(MPa)		阀后压力 可调范围 Valve back adjust pressure range	最高流速 Highest flow (m/s)	介质温度 Working temperature	适用介质 Suitable medium
		壳体 Body	密封 Seal				
YHT200P-10T	1.0	1.5	1.1	0.09-0.8	6	≤80℃	水 Water
YHT200P-16T	1.6	2.4	1.76	0.1-1.2			

### ※主要零件材料 Main part material

零件名称 Name	材料 Material
阀体、阀盖 Body, Bonnet	铝青铜 Aluminium bronze
过滤网、螺母、弹簧座 Filter net, Nut Spring seat	不锈钢 Stainless steel
压缩弹簧 Compression spring	60Si <sub>2</sub> Mn
O型圈 O ring	丁腈橡胶 NBR

### ※主要外形尺寸 Main exterior dimensions

公称通径(mm) Nominal dimension	尺寸 Dimension (mm)	
	L	H
15	112	170
20	112	183
25	135	189
32	165	242
40	192	273
50	231	307





### 三十、减压阀YZ11X、YG11X、YG41X-16.25T(P) 系列

### 直接作用减压阀

Reducing valve

Reducing valve for direct action

#### ※结构及用途

该阀主要由阀体、阀盖、压缩弹簧、膜片、蝶形卡具及阀瓣等零件组成。它的主要特点：性能可靠、经久耐用，耐脏防水垢，不需过滤器，不需旁通管，配管极其简单，能节省大量空间和成本。出口压力精密可调，在一般场合下出口压力不受进口压力的影响（出口压力的变化量是 $\Delta P_1$ 的8%）。极佳的水力特性，可满足多种减压要求，特别适用于支管减压系统。

#### Structure and purpose

The valve is made up of body, bonnet, compression spring, diaphragm, stirrup clamping apparatus and disc etc. The valve is of reliable performance, long life-span, enduring dirty. When fixed, it does not need filter, by-pass pipe. The tubing is simple, so the space and cost can be saved effectively. The outlet pressure can be adjusted minutely. Generally the inlet pressure will not change following outlet pressure (the variable of outlet pressure is 8% of  $\Delta P_1$ ). Because of the excellent characteristics of waterpower, the valve can satisfy multiple demands of reducing pressure, especially suitable to reducing system of branch pipe.



#### ※主要技术参数 Main technology parameters

类型 Type	型号 Model	公称压力(MPa) Nominal pressure	公称通径(mm) Nominal dimension	连接形式 Type of connecting	阀体材料 Body material	出口压力(MPa) Outlet pressure	工作温度(°C) Working temperature
支管减压阀 Branch reducing valve	YZ11X-16T1 YZ11X-25T	1.6 2.5	15-25	内螺纹 Interior screw	青铜Bronze	0.05-0.55	≤80
	YZ11X-16P1 YZ11X-25P				不锈钢 Stainless steel		
住宅和工业 给水减压阀 residential and industrial reducing valve	YG11X-16T1 YG11X-25T	1.6 2.5	10-100	内螺纹 Interior screw	青铜Bronze	0.05-0.55	
	YG11X-16P1 YG11X-28P				不锈钢 Stainless steel		
	YG41X-16T1 YG41X-28T	1.6 2.5	32-100	法兰 Flange	青铜Bronze	0.05-0.55	
YG41X-16P1 YG41X-25P	不锈钢 Stainless steel						

#### ※住宅和工业减压阀外型尺寸 Exterior dimension for residential and industrial reducing valve

公称通径(mm) Nominal dimension		尺寸 Dimension (mm)				
mm	in	D	H	H1	C	F
10	3/8	92	120	48	92	-
15	1/2	92	120	48	92	-
20	3/4	108	130	55	108	-
25	1	123	160	60	123	-
32	1 1/4	155	180	77	155	240
40	1 1/4	172	205	84	172	260
50	2	198	235	105	198	288
65	2 1/2	215	270	118	215	305
80	3	234	300	143	234	330
100	4	260	350	120	250	385

注：F是法兰阀门结构长度

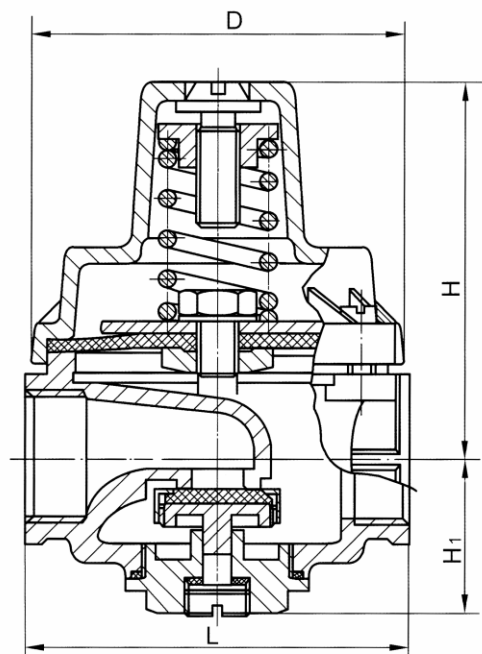
Note: F denotes valve structure length

法兰尺寸：按GB/T9113.1-2000标准。

The flange dimension accords to GB/T9113.1-2000 standard.

#### ※支管减压阀外型尺寸 Exterior dimension for Branch

公称通径(mm) Nominal dimension		尺寸 dimension (mm)			
mm	in	D	H	H1	L
15	1/2	59	60	31	66
20	3/4	73	75	31	77
25	1	85	90	43	85



### 三十一、减压阀Y45H(Y)-64.100 系列

Reducing valve

### 杠杆式减压阀

Lever reducing valve

#### ※结构及用途

该阀由阀体、阀盖、阀杆、阀瓣、阀座及杠杆等零件组成。主要配套在减压装置上，起到调节压力作用，减压比一般为0.6较合适。亦可配用电动执行装置，实行远程自动操作。

#### Structure and purpose

The valve is made up of body, bonnet, spindle, disc, valve seat and lever etc. It is equipped with reducing apparatus to adjust pressure. The 0.6 reducing pressure ratio is better. Electric actuator can be selected to satisfy automatic operation in remote control.

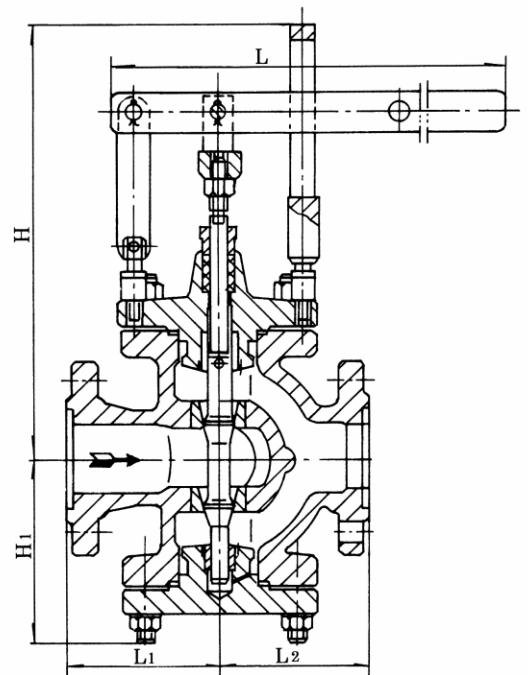


#### ※主要零件材料 Main part materials

型号 Type	零件名称 Name	阀体、阀盖 Body, Bonnet	阀杆 Spindle	阀瓣 Disc	阀座 Valve seat
Y45H(Y)-64 Y45H(Y)-100	材料 Material	WCB	38CrMoA1A	2Cr13	1Cr18Ni9Ti
Y45H(Y)-64I Y45H(Y)-100I		ZG20CrMo		1Cr18Ni9Ti	

#### ※主要外形尺寸 Main exterior dimensions

公称压力 Nominal pressure PN(MPa)	公称通径 Nominal dimension DN(mm)	尺寸 Dimension (mm)				
		H	H1	L	L1	L2
6.4 10.0	50	515	200	565	150	150
	80	555	220	650	190	190
	100	582	245	800	200	200
	150	654	318	800	220	225
	200	725	355	800	250	250
	250	750	390	800	272	275
	300	918	475	1000	355	395
	400	1080	660	1000	400	550
	500	1635	800	1000	450	680



法兰尺寸：按GB/T9113.1-2000标准。

The flange dimension accords to GB/T9113.1-2000 standard.

## 三十二、调节阀T40H-16.25.40.64.100 系列

## 给水回转式调节阀

Regulating valve

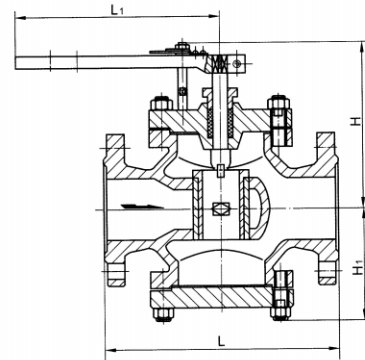
Water supply rotary regulating valve

### ※结构及用途

该阀主要由阀体、阀座、阀瓣、阀杆、阀盖等零件组成，适用于中、低压锅炉给水管道和高压加热器疏水管上，通过转动圆筒形阀瓣使其与阀座形成的窗口面积改变，从而实现调节流量的目的。调节阀的回转启闭角度为 $60^\circ$ ，由调节阀上方的开度指示板来指示。可配用电动执行装置，实行远程自动化操作。

### Structure and purpose

The valve is made up of body, valve seat, disc, spindle, bonnet etc. It is applicable to middle and low pressure boiler pipelines of water supply and high pressure drain pipe of heater. The area of window which is formed by disc and valve seat can be changed by rotating the cylinder disc to regulate flow. The rotative opening angle is  $60^\circ$  which is indicated by opening position pannel attached above the regulating valve. The electric actuator can be selected to operate automatically in remote.



### ※主要零件材料 Main part materials

零件名称 Name	阀体、阀盖 Body, Bonnet	阀座、阀瓣、阀杆 Valve seat, Disc, Spindle
T40H-16	灰铸件 Gray casting parts	不锈钢 Stainless steel
T40H-25 T40H-40 T40H-64 T40H-100	碳钢 Carbon steel	

### ※主要技术参数 Main technology parameters

公称通径 Nominal dimension (mm)	20	25	32	40	50	65	80	100	125	150	200	250	300
流通能力 Circulating capability C	6	12	13	25	52	60	150	165	260	300	520	780	1100
适用温度 Suitable temperature ( $^\circ\text{C}$ )	T40H-16, $\leq 200^\circ\text{C}$ , T40H-25、40、64、100, $\leq 250^\circ\text{C}$												
适用介质 Suitable medium	水、油类 Water、Oil												
流量特性 Flow characteristic	直线、等百分比 Line、Equal percent												

### ※主要外形尺寸 Main exterior dimensions

公称压力(MPa) Nominal pressure	尺寸 Dimension (mm)													
	DN	20	25	32	40	50	65	80	100	125	150	200	250	300
1.6 2.5	L	160	180	200	220	250	280	310	350	400	450	550	650	800
	L1	150	160	180	210	245	260	290	320	370	410	480	540	700
	H	180	200	205	210	230	240	250	280	290	300	325	330	450
	H1	90	100	100	120	120	130	150	150	190	205	270	270	335
4.0 6.4 10.0	L	180	200	220	240	270	300	330	380	450	500	550	650	800
	L1	160	170	200	230	260	290	320	350	400	440	530	600	760
	H	185	210	220	225	250	250	260	300	310	320	340	360	480
	H1	100	110	110	135	135	140	160	180	200	220	230	300	370

铁制阀门法兰连接尺寸按GB4216.4(5)-84标准，钢制阀门按GB/T9113.1-2000标准。

The flange connecting dimension of iron valve conforms to GB4216.4(5)-84, steel valve to GB/T9113.1-2000 standard.

### 三十三、调节阀V230W-01(02) 系列

### 自立式温度调节阀

Regulating valve

Temperature regulating valve for automation

#### ※结构及用途

该阀主要由控制阀及温控器组成，是一种无需外来能源而依靠被控介质自身的温度变化进行自动调节的节能产品。主要适用于非腐蚀性气体、蒸气、热水、油等介质的各种换热器中的温度自动控制，广泛应用于城市供热、供暖系统及石化、印染、制药、锅炉等工业部门。

#### Structure and purpose

The valve is made up of control valve and temperature controller. It is a kind of saving energy product which does not need extra energy only by the mutative temperature change of controlled medium itself to regulate flow automatically. It is applicable to various heat exchanger to control the temperature automatically medium of which are non-erosive gas, vapour, hot water, oil ect. The valve is applied to heating system in city and the field of petroleum, chemistry printing and dyeing, pharmacy and boiler etc.



#### ※主要零件材料 Main parts materials

阀体 Body	WCB、ZGCr18Ni12MoTi、 ZG1Cr18Ni9Ti
阀座 Valve seat	1Cr18Ni9Ti、 Cr18Ni12Mo2Ti
阀芯 Valve core	1Cr18Ni9Ti、 Cr18Ni12Mo2Ti
波纹套管 Crinkle bushing	1Cr18Ni9Ti、 Cr18Ni12Mo2Ti
平衡波纹管 Balance crinkle pipe	1Cr18Ni9Ti
毛细管 Capillary	H62、 1Cr18Ni9Ti
温包 Temperature wrap	H62、 1Cr18Ni9Ti
接头 Joint head	35、 1Cr18Ni9Ti

#### ※主要技术参数 Main technology parameters

公称通径 Nominal dimension(mm)	15	20	25	32	40	50	65	80	100	125	150	200	250	
公称压力 Nominal pressure (MPa)	1.6、 4.0													
额定流量系数 KV Rated flow coefficient	单座 Signle seat	5	7	11	20	30	48	75	120	190	300	480	760	1100
	双座 Double seat			12	22	33	53	83	132	209	330	528	836	1210
	套筒 Sleeve			11	20	30	48	75	120	190	300	480	760	1100
额定行程 Rated route L(mm)	6			8	10	14			20			35		
允许最大压差 Permit different pressure(MPa)	1.6								1.5		0.6			
温度调节范围Temperature adjust range (°C)	0~70、 50~120、 100~170、 150~220、 200~270													
允许超载值 Permit overload(°C)	分别为上述温度调节范围上限加50 The above temperature upper limit adds 50													
允许泄漏量 Permitting spillage	硬密封 Hard seal(1/h)	双座、套筒：5×10 <sup>-3</sup> ×阀额定容量(Ⅱ级)、单座：10 <sup>-4</sup> ×阀额定容量(Ⅳ级) Double seat、Bushing：5×10 <sup>-3</sup> ×Rated capacity(Ⅱband), Single seat：10 <sup>-4</sup> ×Rated capacity(Ⅳband)												
	软密封 Soft seal (m1/min)	0.15	0.15	0.15	0.30	0.30	0.45	0.60	0.90	1.70	4.0	4.0	6.75	11.1
结构长度 Structure lenght L(mm)	185	185	190	200	220	255	280	315	350	410	455	605	680	
高度 Height H(mm)	450	450	450	540	540	580	640	700	750	820	950	1100	1280	
调节精度 Adjusting precision±5%	保护套直径 Protect cover diamenterΦ28mm							安装接头 Fixing joint ghead G1"						
毛细管长度 Capillary (m) 3、 5、 8	温包直径Temperature wrap diamenter Φ25mm							使用环境温度(°C) -40~+80						
温包外露高度Temperature wrap exterior height 250mm							温包插入深度 Temperature wrap insert depth 430mm							

法兰尺寸： 按GB/T9113.1-2000标准。 The flange dimension accords to GB/T9113.1-2000 standard.



## 三十四、调节阀V230Y-01(02)型

## 自立式压力调节阀

Regulating valve

Pressure regulating valve for automation

### ※结构及用途

该阀由阀体、阀座、阀芯部件等组成，是一种无需外来能源而只依靠被控介质自身的压力变化进行自动调节压力的节能型产品，可用于非腐蚀性的液体、气体和蒸气等介质的压力控制装置。广泛用于石油、化工、冶金、轻工等工业部门及城市供热、供暖系统。

### Structure and purpose

The valve is made up of body, valve seat, and valve core ect, which can adjust pressure automatically. And the valve can save the energy because it does not need extra energy just by the mutation pressure of controlled medium itself. It is applicable to pressure control devices medium of which are non-erosive liquid, gas, and vapour. The valve is applied to heating system in city and the field of petroleum, chemistry, metallurgy, light industrial.

### ※主要零件材料 Main part materials

阀体 Body	WCB、ZG1Cr18Ni9Ti ZGCr18Ni12Mo2Ti
阀芯 Valve core	1Cr18Ni9Ti、Cr18Ni12Mo2Ti
阀座 Valve seat	1Cr18Ni9Ti、Cr18Ni12Mo2Ti
阀杆 Spindle	1Cr18Ni9Ti、Cr18Ni12Mo2Ti
膜盖 Dissepiment cover	A <sub>3</sub> 、1Cr18Ni9Ti
填料 Packing	聚四氟乙烯、柔性石墨 PTFE、Flexible graphite
膜片 Dissepiment	丁腈橡胶、耐油橡胶、氟橡胶 NBR、Oil resistance rubber、Fluororubber



### ※主要技术参数 main technology parameters

公称通径 Nominal dimension (mm)	20	25	32	40	50	65	80	100	125	150	200	250	300
额定流量系数KV Rated flow coefficient	7	11	20	30	48	75	120	190	300	480	760	1100	1750
额定行程 Rated route L(mm)	8		10		14	20		25	40		50	60	70
公称压力 Nominal pressure (MPa)	1.6、4.0												
压力调节范围 (KPa) Pressure adjusting range	15~50、40~80、60~100、80~140、120~180、160~220、200~260 240~300、280~350、330~400、380~450、430~500、480~560、540~620 600~700、680~800、780~900、880~1000、600~1500、1000~2500												
允许泄漏量 Permitting spillage	硬密封 Hard seal(1/h)	双座、套筒：5×10 <sup>-3</sup> ×阀额定容量(Ⅱ级)、单座：10 <sup>-4</sup> ×阀额定容量(Ⅳ级) Double seat、Bushing：5×10 <sup>-3</sup> ×Rated capacity(Ⅱband), Single seat：10 <sup>-4</sup> ×Rated capacity(Ⅳband)											
	软密封 Soft seal (m1/min)	0.15	0.30	0.45	0.60	0.90	1.70	4.0	6.75	11.10	16.0		
减压比 Reduce pressure ratio	最大 Max	10											
	最小 Min	1.25											
结构长度 Structure lenght L(mm)	185	190	200	210	255	280	315	350	410	455	605	680	770
高度 Height H(mm)	600	600	780	780	800	860	900	910	1010	1020	1050	1080	1336
质量 Weight (kg)	21	21	32	32	37	67	85	110	125	140	210	280	390
调节精度 Adjusting precision ±5%							使用温度 Using temperature ≤350°C						
固有流量特性 Connatural flow characteristic						快开 open rapidly							

法兰尺寸：按GB/T9113.1-2000标准。

The flange dimension accords to GB/T9113.1-2000 standard.

### 三十五、调节阀ZZYW 型

### 自立式差（微）压调节阀

Regulating valve

(Tiny) different pressure regulating valve for automation

#### ※结构及用途

该阀是一种不需要外加能源的执行器产品，可用于公称压力0.1及1.0MPa。微差压均可分段调节，从0.5~100KPa。其用途十分广泛，可用于工业燃烧系统，控制两种物料，如煤气、空气流量配比，以达到理想燃烧。用于氢冷发动机组密封油系统，控制密封油气氢气间压力差，以确保可靠密封。当差压阀的低压端通大气即为微压阀。

#### Structure and purpose

The valve is applicable to 0.1 and 1.0MPa nominal pressure, which does not need extra energy. Tiny pressure can be paragraphed to adjust, the range is from 0.5 to 100KPa. It is applied to industrial burning system and can control flow ratio of two materials for obtaining perfect burning. It is also applied to hermetically system of hydrogen cooling generator group to control different pressure of sealed oil and hydrogen gas, so it ensures reliable seal. When low pressure end of Pressure regulating valve connects with atmosphere, it becomes a tiny pressure valve.



#### ※主要零件材料 Main part materials

阀体 Body	HT200、WCB、ZG1Cr18Ni9 ZGCr18Ni12Mo2Ti
阀芯 Valve core	Cr18Ni12Mo2Ti、1Cr18Ni9Ti
阀座 Valve seat	Cr18Ni12Mo2Ti、1Cr18Ni9Ti
弹簧 Spring	60Si2Mn、1Cr18Ni9Ti、50CrVA
波纹管 Bellows	1Cr18Ni9Ti
膜片 Dissepiment	丁腈橡胶、耐油橡胶、氟橡胶 NBR、Oil resistance rubber、 Fluororubber
膜盖 Dissepiment cover	A3、1Cr18Ni9Ti

#### ※主要技术参数 Main technology parameters

公称通径 Nominal dimension (mm)		20	25	32	40	50	65	80	100
额定流量系数 KV Rated flow coefficient	单座 Single	8	11	20	32	50	80	100	160
	双座 Double seat					53	83		
额定行程 Rated rotute L(mm)		6	8		10		15		20
公称压力 Nominal pressure (MPa)		0.10、1.0							
压差调节范围 (KPa) Different pressure adjusting range		0.5~5.5、5~10、9~14、13~19、18~24、22~28 26~33、31~38、36~44、42~51、49~58 56~66、64~78、76~90、88~100							
允许泄漏量 Permitting spillage	单座 Single seat	单座：10 <sup>-4</sup> ×阀额定容量(Ⅳ级) Single seat: 10 <sup>-4</sup> ×Rated capacity(Ⅳband)							
	双座 Double seat	双座、套筒：5×10 <sup>-3</sup> ×阀额定容量(Ⅱ级) Double seat、Bushing: 5×10 <sup>-3</sup> ×Rated capacity(Ⅱband)							
阀门宽度 Valve breadth (mm)		308	282(394)	308	394	308	394	394	394
阀门高度 Valve height (mm)		378	460	370	445	460	490	490	510
阀门结构长度 Valve structure lenght (mm)		150	160	180	200	230	290	310	350
质量 Weight (kg)		12	13	15	17	19	28	38	45
调节精度 Adjust precision ≤10%		接头螺纹 Connecting screw M16×1.5		介质温度 Suitable temperature ≤80℃					

铁制阀门法兰连接尺寸按GB4216.4(5)–84标准，钢制阀门按GB/T9113.1–2000(RF)标准。

The flange connecting dimension of iron valve conforms to GB4216.4(5)–84, steel valve to GB/T9113.1–2000(RF).

注：(1) 单座公称压力为0.1MPa，双座为1.0MPa；(2) 双座差压调节范围为36~44……88~100KPa。

Note: (1)The nominal pressure of single seat valve is 0.1MPa, double seat is 1.0MPa; the adjusting pressure range of double seat is 36~44……88~100KPa.



## 三十六、调节阀ZYC-16-H3T 系列

## 自立式压差控制阀

Regulating valve

Different pressure control valve for automation

### ※结构及用途

该阀是一种利用介质自身的压力变化进行自我控制而保持流经被控系统介质压差不变的阀门。适用于供暖方式采用双管系统的压差控制，保证系统的压差基本不变，降低噪音，平衡阻力，消除热网和水力失调。

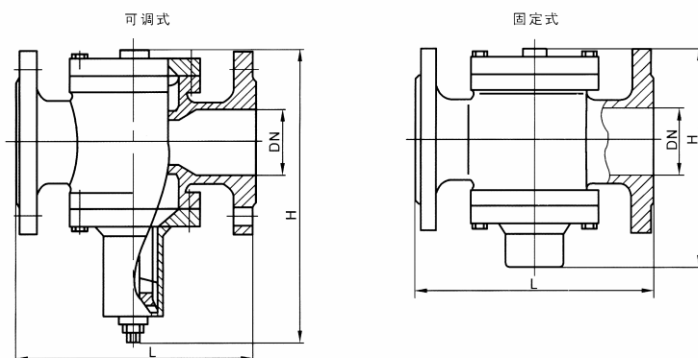
### Structure and purpose

The valve is a kind of automatic controlling valve which sustains the unchanged pressure difference of flow through the controlled system depending on the pressure itself change. It is applicable to heating way which is controlled by pressure difference of both lines system, so the valve can guarantee a constant pressure difference, reduce noise, balance resistance, eliminate heating and maladjusted waterpower.

### ※主要技术参数 Main technology parameters

型号 Type	公称压力 Nominal pressure	壳体试验压力 Shell test pressure	压差控制范围 Range of pressure difference	
			定压差型 Constant pressure	可调压差型 Adjusted pressure
ZYC-H3T	1.6MPa	2.4MPa	10KPa、20KPa、30KPa	10~30KPa

### ※主要外形尺寸 Main exterior dimensions



DN(mm)	连接方式 Type of connecting	L(mm)	H(mm)		流量m <sup>3</sup> /h Flow	适用介质 Suitable medium	介质温度 Medium temperature	主要零件材料 Main material
			定压差型 Constant pressure	可调压差型 Adjusted pressure				
15	螺纹 Screw	100	95	145	0.2-1	水 Water	0~120℃	阀体、上盖和下盖为铸铁，阀芯为铜，膜片为尼龙强化橡胶，弹簧为不锈钢。
20		110	110	150	0.3-1.5			
25		115	130	165	0.5-2			
32	法兰 Flange	130	140	190	1-4			
40		200	190	340	1.5-6			
50		215	205	355	2-8			
65		230	240	390	3-12			
80		275	300	500	5-20			
100		290	350	550	10-30			
125	310	380	580	15-45				

铁制阀门法兰连接尺寸按GB4216.4(5)-84标准，钢制阀门按GB/T9113.1-2000(RF)标准。

The flange connecting dimension of iron valve conforms to GB4216.4(5)-84, steel valve to GB/T9113.1-2000(RF).

### 三十七、调节阀T(S)40H-10.16.25 系列

Regulating valve

### 手动调节阀、自锁手动调节阀

manual and self-locking manual regulating valve

#### ※结构及用途

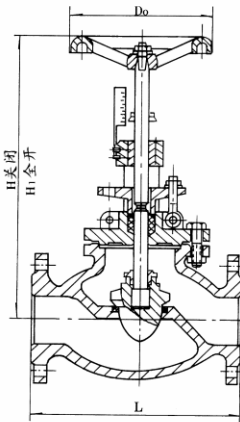
该阀主要用于城市集中供热，区域供热，循环水工程，热电厂管网和制冷空调等工程中，具有截止、节流和调节流量的作用，可取代节流孔板，是一种可改变孔径的节流装置。

#### Structure and purpose

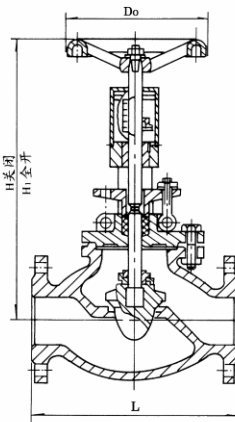
The valve is applicable to center heat supply in city, heat supply in district, water cycle engineering, pipe net of heat and power plate and refrigerative air conditioning, its fuctions are as follows: closing, throttling and adjusting flow. It is a kind of throttle device to change aperature and replace throttlling plate .

#### ※主要零件材料 Main part materials

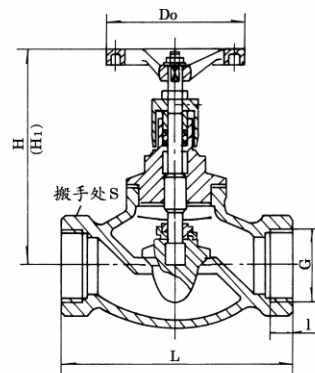
零件名称 Name	材料 Material
阀体、阀盖、填料压盖 Body, bonnet, gland	灰铸铁、铸钢、不锈钢 Gray cast iron, cast and stainless steel
阀杆、阀瓣、密封圈 Spindle, disc, packing ring	不锈钢 Stainless steel
指示盘、阀杆螺母、螺帽套 Indicator panel, spindle nut, nut cover	黄铜 Brass



法兰连接手动调节阀(TJ40H型)



法兰连接自锁手动调节阀(TS40H型)



内螺纹连接自锁手动调节阀(TJ40H型)

#### ※主要外形尺寸 Main exterior dimension

型号 Type	尺寸 Dimension (mm)																			
	DN	15	20	25	32	40	50	65	80	100	125	150	200	250	300	350	400	450	500	600
TJ40H-10	L													730	850	980	1100	1125	1150	1200
	H													914	914	968	968	1100	1440	1790
TS40H-10	H1													1074	1074	1168	1168	1350	1440	1790
	D0																			
TJ40H-16 TJ40H-16C TS40H-16 TS40H-16C TJ40H-25 TS40H-25	L	130	150	160	180	200	230	290	310	350	400	480	600							
	H	160	160	182	192	250	264	380	413	466	540	623	687							
	H1	172	172	195	210	273	290	426	468	530	613	698	777							
	D0	65	65	80	80	120	120	200	200	240	260	360	400							
TJ110H-10 TJ110H-16C TJ110H-25	L	90	100	120	140	170	200													
	H	150	160	182	192	250	264													
	H1	160	170	197	207	270	284													
	D0	80	80	80	90	100	120													

铁制阀门按GB4216.4(5)-84标准，钢制阀门按GB/T9113.1-2000RF标准。

Iron valve accords to GB4216.4(5), steel valve to GB/T9113.1-2000RF.



## 三十八、平衡阀KPF-16 系列

## 法兰式平衡阀

Balanced valve

Flange balanced valve

### ※结构及用途

该阀是一种具有特殊功能的阀门，具有良好的流量特性，合理分配流量，实现流量定量，有效地解决供热（空调）系统中存在的室温冷热不均问题。由于该阀上设有开启度指示，开度锁定装置及用于流量测定的测压小阀，所以只要在各支路及用户入口装上适当规格的平衡阀，并用专用智能仪表进行一次性调试后锁定，将系统的总流量控制在合理范围内，从而克服了“大流量，小温差”的不合理现象。该产品是供热系统中的理想产品，最高介质温度为200℃，欢迎选购。

### Structure and purpose

The valve has the special functions which include good flow characteristics, reasonable flow distributing, it also can actualize flow measurable and solve the heat supply (conditioner) problem of different temperature in rooms. As the valve is equipped with open indicator, open degree locked device and small valve for measuring pressure, the proper specification valves can be fixed in branch or inlet and go to adjust with intellective iustrument turn fix to control volume of flow in an reasonable range. At the same time, it can eliminate the unreasonable phenomenon of huge flow and small temperature difference. The product is applicable to heat supply system and the highest medium temperature is 200℃.

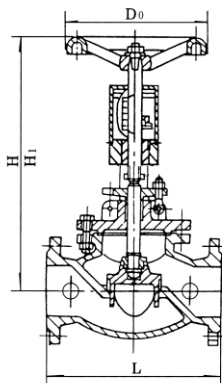
### ※主要技术参数 Main technology parameters

公称压力(MPa) Nominal pressure	试验压力 Test pressure(MPa)		工作压力 Working pressure(MPa)		工作介质 Working medium	介质温度 Medium temperature
	壳体 Shell	密封 Sealing	P20	P16		
1.6	2.4	1.6	1.5	1.6	水(water), 蒸气(vapour)	≤200℃

### ※主要零件材料 Main part materials

零件名称 Name	阀体、阀盖、阀瓣、手轮、填料压套 Body, bonnet, disc, hand wheel, gland	阀杆、密封圈 Spindle Sealing ring	阀杆螺母 Spindle nut	垫圈 Gasket	填料 Filling
材料 Material	铸铁 Cast iron	不锈钢 Stainless steel	铸铜 Cast copper	橡胶石棉网 Rubber-asbestos	膨胀石墨 Expanded graphite

### ※主要外形尺寸 Main exterior dimension



型号 Type	公称压力MPa Nominal pressure	公称通径mm Nominal dimension	尺寸(mm)			
			L	H	H1	D0
KPF-16	1.6	15	130	1500	160	80
		20	150	160	170	80
		25	160	182	197	80
		32	180	192	207	90
		40	200	250	270	100
		50	230	264	284	120
		65	290	380	410	200
		80	310	413	448	200
		100	350	466	506	240
		125	400	540	595	240
		150	480	623	688	360
		200	600	687	762	400
		250	730	782	867	500
		300	850	914	1009	500
		350	980	968	1073	680
		400	1100	1037	1152	680
500	1150	1440	1440			
600	1200	1790	1790			

### ※平衡阀安装使用事项

平衡阀的安装位置：平衡阀可以安装在供水或回水管上，一般我们建议装在回水管上，尤其对于高温环路为方便调试，更要装在回水管上，安装了平衡阀的供（回）水管就不必再设截止阀。

### Notice to installation

Fixing position of balanced valve; it can be fixed in the pipe of water supply or back water. General we recommend the valve fixed in the pipe of back water, especially in high temperature cycle, in order to install conveniently, the valve must be fixed in the pipe of back water. Pipe equiped with balanced valve is unnecessary to fix the globe valve.

铁制阀门按GB4216.4(5)-84标准，钢制阀门按GB/T9113.1-2000RF标准。

Iron valve accords to GB4216.4(5), steel valve to GB/T9113.1-2000RF Standard.

### 三十九、平衡阀SP15(45)-10.16系列

### 数字锁定平衡阀

Balanced valve

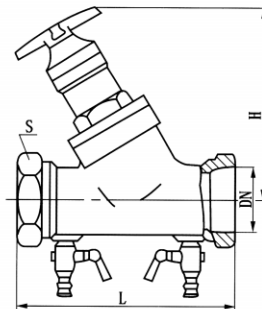
Number lock balanced valve

#### ※结构及用途

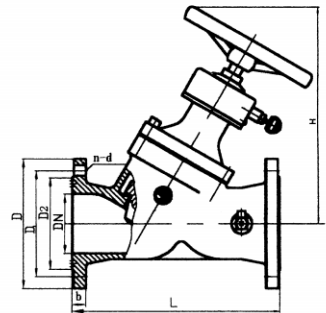
该阀适用于水、油等各种液体管路系统，是一种较为理想的新型节能阀门。阀门设有刻度数字显示，可直观调到任一位置，并可锁定。平衡阀可以有效解决管网系统中存在着水力失调问题，准确调节流量，用以改善管网系统中液体流动状况，达到管网液体平衡和节能的目的。

#### Structrue and purpose

The valve is applicable to various liquid pipeline system such as water, oil. It is a new type of valve with perfect saving energy. There is marked digital scale panel which can be adjusted to any position and locked. The balanced valve can solve effectively the existed problem of waterpower in the pipeline net system and regulate flow accurately, so it improves the flowing condition to balance and save energy of liquid.



SP15F-10.16型



SP45F-10.16型

#### ※主要技术参数 Main technology parameters

公称压力 Nominal pressure	1.0	1.6
壳体试验压力 Shell test pressure	1.5	2.4
密封试验压力 Seal test pressure	1.1	1.76
适用温度 Suitable temperature	≤120℃	
特性曲线 Characteristic curve	等百分比 Equal percent	
适用介质 Suitable medium	水、油 Water, oil	

#### ※SP15F型主要外型及连接尺寸 Main dimension

DN	ZG(inch)	L	S	H	Wt(kg)
15	1/2"	100	27	128	1
20	3/4"	115	33	128	1.5
25	1"	125	46	130	1.8
32	5/4"	140	55	150	2
40	3/2"	160	55	187	2.5

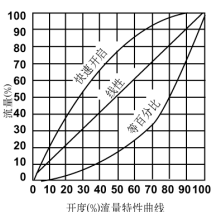
#### ※SP45F-10.16型主要外型及连接尺寸 Main exterior and connecting dimension of SP45-F10.16

DN	32	40	50	65	80	100	125	150	200	250	300	350
L	180	200	230	290	310	350	400	480	550	622	698	787
H	230	242	250	260	329	340	424	454	517	573	617	705

铁制阀门按GB4216.4(5)-84标准，钢制阀门按GB/T9113.1-2000RF标准。

Iron valve accords to GB4216.4(5), steel valve accords to GB/T9113.1-2000RF Standard.

下图为几种阀门的流量特性曲线，本厂生产的是其中等百分比特性阀门。从曲线图上可知给开度一个相等的变化率，则流量的变化率相典特点是开度大时流量大，开度小时流量小。而工程中大多在流量大时应用，等百分比阀门恰恰适用这种要求。根据这一特点，可以自如的预置某一流量的（快开阀门和线性阀门不具备这种功能）而且当需要变化时还能知道变化量，达到理想状态。



The left curve shows the flow characteristic of several valves, we product equal percent valve. It can be known that the same opening degree changed cause the same flow changed. Shown in the curve, the valve characteristics is that the flow increase or decrease following the opening degree increase or decrease respectively. The large flow is a characteristic in the engineering projects, this kind of valve is just to satisfy the request. According to the condition, the flow could be preset conveniently (with not the function to prompt opening valve or lined type valve). The changable value can be known if requested, making the value arrive at an ideal status.

## 四十、排气阀HT-ARVX-10.16 系列

Exhaust valve

微量排气阀

Small exhaust valve

### ※结构及用途

单杆式微量排气阀由浮球、杠杆、杠杆架、阀座等组成、内部采用标准排气孔径 $1/16''$ 、适用PN1.6MPa工作环境，安装在高层建筑，供排水，小型泵站等用以保护、改善管路系统的输水效率及节约能源。

### Structure and purpose

Lever small exhaust valve is made up of float ball, lever, lever shelf, valve seat etc. It adopts standard release hole of  $\Phi 1/16''$  and is applicable to working pressure of 1.6MPa. The valve can be fixed in skyscraper, pumping station of drainage to protect and improve water supply efficiency and save energy in the pipeline system.

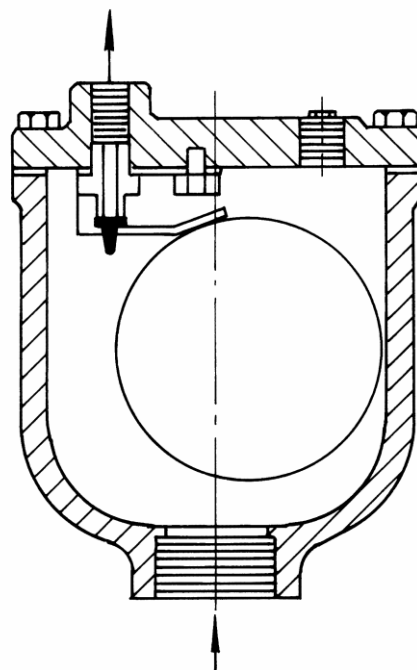
### ※主要零件材料 Main part materials

名称 Name	材质 Material
阀盖 Bonnet	球铁 Nodular cast iron
阀座 Valve seat	304不锈钢 stainless steel
杆架 Lever shelf	304不锈钢 stainless steel
塞头 Stopper end	合成橡胶 (Synthetic)BUNA, VITON
杆杠 Lever	304不锈钢 stainless steel
浮球 Float ball	304不锈钢 stainless steel
阀体 Body	球铁 Nodular cast iron
螺栓 Bolt	镀锌钢制 Galvanize steel



### ※主要外形尺寸 Main exterior dimension

公称通径 Nominal dimension (mm)	进口尺寸 Inlet dimension (inch)	出口尺寸 Outlet dimension (inch)	排气孔尺寸 Air-bleed hole (mm)	外形尺寸 Exterior dimension 长Length ×宽Width ×高Height (mm)
15	1/2"	1/4"	1.6	102×86×127
20	3/4"	1/4"	1.6	102×86×127
25	1"	1/4"	1.6	102×86×127



## 四十一、排气阀HT/CARX-10.16系列

Exhaust valve

### ※结构及用途

该阀由阀体、浮球、杠杆、阀瓣等组成，安装在原出口处或送配水管路中，用来排除集积在管路中的空气，以提高管线及水泵的使用效率，当管路内一旦产生负压时，此阀能迅速吸入外部空气，以防止管路因负压而损坏，从而确保管路安全。

### Structure and purpose

The valve is made up of body, float ball, lever and disc etc. Generally, it is fixed in outlet or water supply pipe to discharge the air gathered in the pipe so as to improve the efficiency of the pipes and the pumps. While the negative pressure is presented, the valve promptly absorb the exterior air to prevent the pipe from destroy due to the negative pressure, which ensures the safety of pipeline.

### ※主要技术参数 Main technology parameters

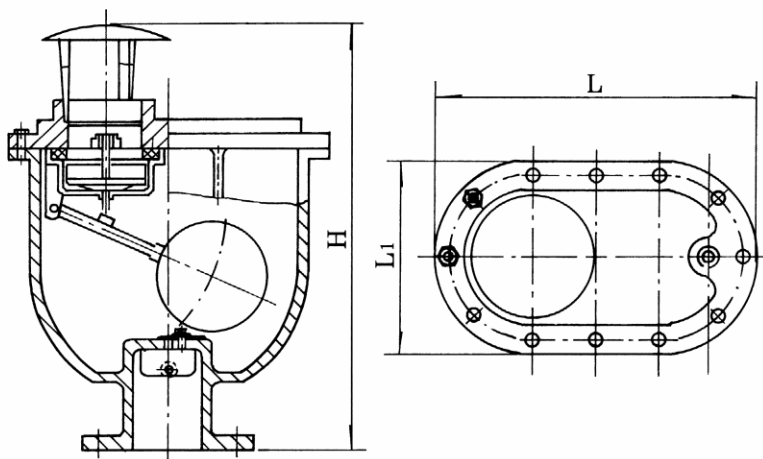
型号 Type	试验压力 Test pressure (MPa)		公称通径 (mm) Nominal dimension	连接形式 Connecting	公称压力 (MPa) Nominal pressure
	壳体 Shell	密封 Seal			
HT/CARX-10	1.5	1.1	25-32	内螺纹 Screw	1.0
			50-200	法兰 Flange	1.6

### ※主要零件材料 Main part materials

零件名称 Name	阀体 Body	阀盖 Bonnet	浮球 Float ball	杆杠架 Lever shelf	杆杠 Lever	塞头 Stopper end
材料 Material	球墨铸铁 Nodular cast iron		不锈钢 Stainless steel		铝青铜 Aluminium bronze	

## 复合式排气阀

Complex exhaust valve



### ※主要外形尺寸

Main exterior dimension

公称通径 Nominal dimension (mm)	尺寸 Dimension (mm)				
	L	L1	H	Z	D
25	280	176	330	-	-
32	280	176	330	-	-
50	360	208	475	4	17.5
65	360	208	475	4	17.5
80	400	244	552	8	17.5
100	465	275	623	8	17.5
150	537	332	686	8	22
200	537	332	686	8/12	22

法兰连接尺寸按GB4216.4(5)-84标准

The flange connecting dimension accords to GB4216.4(5)-84 standard.

## 四十二、排气阀P41(42)X-10系列

Exhaust valve

## 单口快速排气阀

Single mouth quick exhaust valve

### ※结构及用途

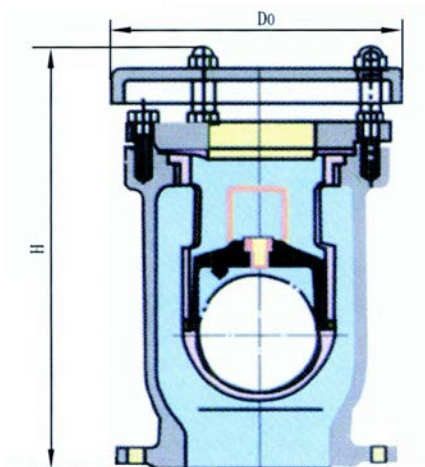
该阀由阀体、阀盖、浮球等组成，安装于工作介质为水的管路上，以提高输送水设备的效率和保护管道不致变形破裂，是管道的必备之设备，快速排（吸）气阀是用于压力输送水管道的吸气和排气。并具有能够排除管道中的气体，减少阻力，节约能源；排气能力是普通双孔排气阀多倍；当管道负压时，本产品能快速自动吸气，防止管道破裂；浮球为不锈钢，使用寿命长，安全可靠。

### Structure and purpose

The valve is made up of body, bonnet, float ball etc. It is fixed in water pipeline to improve equipment efficiency and protect pipe from cracking, so the valve is a necessary device in the pipe. The quick exhaust (intake) valve is used to exhaust and intake in water pipe. It has the characteristics of removing gas in pipe, reducing resistance and saving energy. The capacity of the exhaust is several times than common exhaust valve. When pipe occurs negative pressure, the product can absorb air quickly and automatically avoid pipe from cracking. The material of float ball is stainless steel, the service life is long and the performance is reliable and safe.

### ※主要技术参数 Main technology parameters

壳体试验压力 Shell test pressue	阀体材料 Body material	浮球材料 Float material	适用介质 Suitable medium	介质温度 Medium temperature
1.5MPa	铸铁 Cast iron	不锈钢 Stainless steel	清水 Pure water	$\leq 80^{\circ}\text{C}$



### ※主要外形尺寸 Main exterior dimensions

公称通径 (mm) Nominal dimension	25	50	80	100	150	200
H	240	250	335	335	435	475
Do	185	210	250	250	320	380

法兰连接尺寸按GB4216.4-84标准。

Flange connecting dimension accords to GB4216.4-84 standard.

### 四十三、排气阀KP-10 系列

### 单口快速排气阀

Exhaust valve

Single mouth quick exhaust valve

#### ※结构及用途

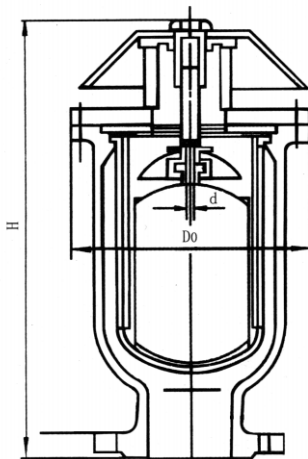
该阀由阀体、阀盖、浮球和托架等组成，安装于介质的管路上，作为快速排除管道内气体的设备，以提高输送水设备的效率和保护管道不致变形破裂，是管道的必备之设备。并具有能够排除管道中的气体，减少阻力节约能源；当管道负压时，本产品能快速自动吸入空气防止管道破裂；排气能力是普通双孔排气阀多倍；浮球托架为不锈钢，使用寿命长，安全可靠。

#### Structure and purpose

The valve is made up of body, bonnet, float ball and bracket etc. which is fixed in water pipeline as a device which removes gas in the pipe quickly. It can improve the efficiency of water transporting and protect the pipe from destroy and cracking. It is one of the necessary devices in the pipeline, because it can discharge the gas in the pipe, efficiently reduce resistance and save energy. When the pipe is in the negative pressure, the product can intake air quickly and automatically to protect against pipe cracking. The capacity of escaping is superior to the common exhaust valve with double holes. The material of float ball bracket is stainless steel, the service life is long and the performance is reliable and safe.

#### ※主要技术参数 Main technology parameters

壳体试验压力 Shell test pressrue	阀体材料 Body material	浮球托架材料 float ball bracket	适用介质 Suitable medium	介质温度 Medium temperature
1.5MPa	铸铁 Cast iron	不锈钢 Stainless steel	清水 Pure water	≤80℃



#### ※主要外形尺寸 Main exterior dimensions

公称通径 (mm) Nominal dimension	25	50	80	100	150	200
H	285	320	400	400	520	585
Do	155	170	220	220	295	335

法兰连接尺寸按GB4216.4-84标准。

Flange connecting dimension accords to GB4216.4-84 standard.



## 四十四、排气阀QB<sub>2</sub>-10系列

Exhaust valve

## 双口自动排气阀

Double mouths automatic exhaust valve

### ※结构及用途

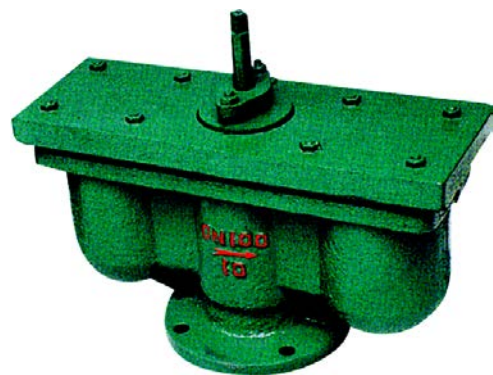
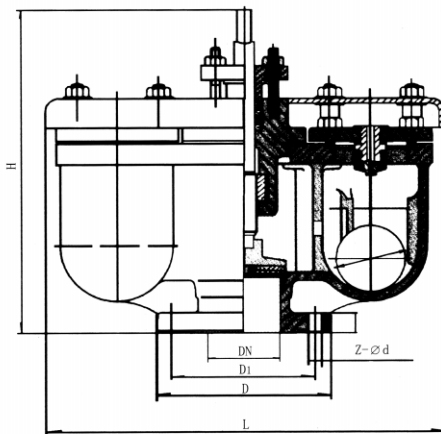
该阀由阀体、阀盖、浮球等组成，安装于工作介质为水的管道上，作为排除管道内气体的设备，以提高输送水设备的效率和保护管道不致变形、破裂，是管道必备之设备。并具有能够排除管道中的气体，减少阻力，节约能源；当管道负压时本产品能自动吸入空气防止管道破裂；浮球为不锈钢，使用寿命长，安全可靠。

### Structure and purpose

The valve is made up of body, bonnet and float ball etc. It is fixed in water pipeline and serves as an equipment of removing gas inside the pipe. It improves the equipment efficiency and protects the pipe against cracking and is a kind of necessary equipment in the pipe. The characteristics include promptly removing gas, reducing resistance and saving energy. When the pipe is in the negative pressure, the product will automatically absorb the air to avoid the pipe against cracking. The float ball is stainless steel, the service life is long and the performance is reliable and safe.

### ※主要技术参数 Main technology parameters

壳体试验压力 Shell test pressrue	阀体材料 Body material	浮球托架材料 float ball bracket	适用介质 Suitable medium	介质温度 Medium temperature
1.5MPa	铸铁 Cast iron	不锈钢 Stainless steel	清水 Pure water	≤80℃



### ※主要外形尺寸 Main exterior dimensions

公称通径(mm) Nominal dimension	50	75	100	150	200
C	375	415	415	585	640
H	285	335	335	425	450

法兰连接尺寸按GB4216.4-84标准。

Flange connecting dimension accords to GB4216.4-84 standards.

## 四十五、过滤器YSTF-10.16 系列

Filter

## Y型伸缩拉杆式过滤器

Flexible drawing lever Y type filter

### ※结构及用途

Y型伸缩拉杆型过滤器是Y型过滤器与伸缩接头组合，主要用于高层建筑、多层建筑或工厂内给排水配管，通常安装于减压阀、泄压阀、定水位阀或其它主要设备的进口端，便于清除杂物或安装拆卸以保证阀类或设备之正常使用。

### Structrue and purpose

Y type filter with flexible drawing lever is made up of Y type filter and flexible joint. It is applicable to water supply and drainage pipe in skyscraper, multilayer building, or factory. Generally it can be fixed in the inlet of reducing valve, atmospheric valve, water lever valve or other main equipments, so the filter can be convenient to remove sundries to ensure valve or equipment working in order.



### ※主要技术参数 Main technology parameters

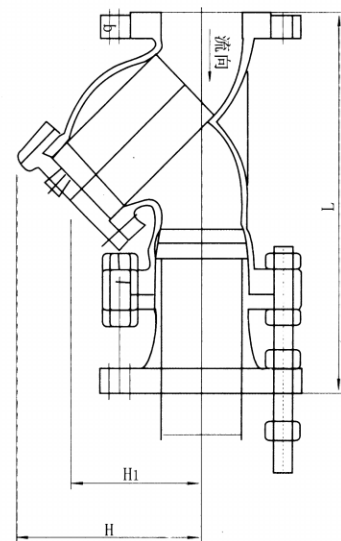
型号 Type	公称压力(MPa) Nominal pressure	密封试验压力(MPa) Seal test pressure	工作压力(MPa) Working pressure	适用介质 Suitable medium	适用温度 Suitable temperature
YSTF-10	1.0	1.1	1.0	水、油、气 Water, Oil, Gas	≤80℃
YSTF-16	1.6	1.76	1.6		

### ※主要零件材料 Main part materials

零件名称 Name	管体 Pipe body	滤网 Filter net	伸缩拉杆 Flexible lever	O型圈 O ring
材料 Material	铸铁、铸钢 Cast iron, Cast steel	不锈钢 Stainless steel	碳钢 Carbon steel	丁腈橡胶 NBR

### ※主要外形尺寸 Main exterior dimensions

公称通径(mm) Nominal dimension	L	H1	H
50	300	155	195
65	320	183	245
80	380	210	295
100	430	250	344
125	500	305	415
150	550	358	485
200	650	450	602
250	775	503	710
300	900	578	815
350	1025	598	844
400	1150	618	872



法兰连接尺寸：铁制阀门按GB4216.4(5)-84标准，钢制阀门按GB/T9113.1-2000 (RF) 标准。

Flange connecting dimension; the iron valve accords to GB4216.4(5), the steel valve to GB/T9113.1-2000(RF).



## 四十六、过滤器YGL41H-10.16.25 系列

## Y 型过滤器

Filter

Y type filter

### ※结构及用途

该过滤器由壳体、排污盖、滤网等组成，是输送介质的管道系统所不可缺少的一种装置，其作用是清除介质中的机械杂质，以保护设备管道上的配件免受磨损和堵塞。内部件全部采用不锈钢，坚固耐用。该过滤器体积小、滤眼细、阻力小、效率高、安装检修方便、成本低、维修方便。

### Structure and purpose

The filter is made up of body, blow-off cover and filter screen etc. It is a necessary device in pipe system of transporting medium, because it can remove physical impurity from medium to protect fittings of pipe against abrasion and jamming. The material of internal parts is stainless steel. The filter has characteristics of small volume, thin filter hole, little resistance, high efficiency, low cost, convenience to fix and maintain.

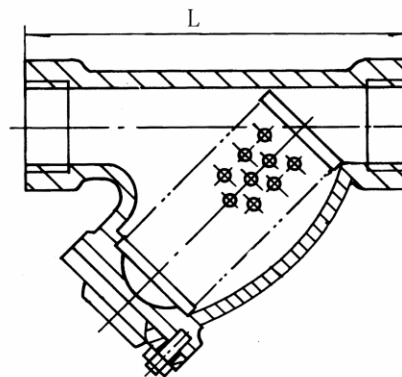
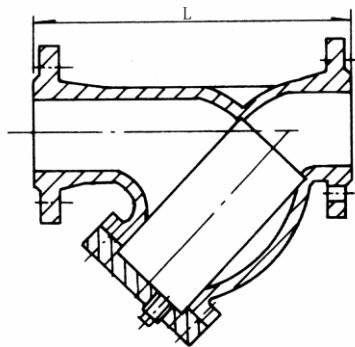
### ※主要技术性能

- 1、适用介质：水、油、气；
- 2、适用介质温度： $\leq 200^{\circ}\text{C}$ ；
- 3、过滤网规格为10目/寸，20目/寸，30目/寸，40目/寸，60目/寸，100目/寸；
- 4、过滤网局部阻力系数2.2，在介质额定流速下阻力为0.1-0.2水柱。



### Main technology performances

- 1、Suitable medium: water, oil, gas;
- 2、Suitable temperature:  $\leq 200^{\circ}\text{C}$ ;
- 3、Filter specification: 10hole/inch, 20hole/inch, 30hole/inch, 40hole/inch, 60hole/inch, 100hole/inch;
- 4、filter part resistance modulus is 2.2, in the case of rated flow velocity, the resistance is 0.1-0.2 water column.



### ※主要外形尺寸 Main exterior dimensions

公称通径(mm) Nominal dimension	L	公称通径(mm) Nominal dimension	L	公称通径(mm) Nominal dimension	L
15	140	20	150	25	160
32	180	40	200	50	220
65	260	80	310	100	350
125	400	150	450	200	500
250	550	300	580	350	760
400	800	450	900	500	1000

法兰连接尺寸：铁制阀门按GB4216.4(5)-84标准，钢制阀门按GB/T9113.1-2000(RF)标准。

Flange connecting dimension: the iron valve accords to GB4216.4(5), the steel valve accords to GB/T9113.1-2000(RF).

## 四十七、过滤器SRB-10.16 系列

Filter

### ※结构及用途

该过滤器由壳体、排污盖、滤网、螺柱等组成，是除去液体中含有少量固形物的小型设备，可保护压缩机、泵和其它设备及仪表等正常工作；也是提高产品纯度，净化气体的小型设备。

### Structure and purpose

The filter is made of body, blow-off covering, filter screen and bolt etc. It is a minitype equipment which can remove a few solid substance in liquid, to protect compressor, pump and other equipment in working normally, it also can improve product purity and purge gas.

### ※主要技术参数 Main taechnology parameters

公称压力 (MPa) Nominal dimension	1.0	1.6	压差 Differential pressure	适用介质 Suitable medium	介质温度 Medium temperature
壳体试验压力 (MPa) Shell test pressure	1.5	2.4	0.05~0.15	水、油、气 Water, Oil, Gas	≤200℃

### ※主要尺寸 Main dimension

#### 直通篮式过滤器

Straight way in basket filter

DN	Φ	L	H1	H2	~ H	W(in)	WT(kg)	
							PN2.0	PN5.0
25	76	220	100	260	480	R3/8	8.9	15.7
32	76	220	105	270	495	R3/8	11.8	19.2
40	114	280	120	300	550	R3/8	16.4	23.6
50	114	280	120	300	550	R1/2	20.0	28.9
65	140	330	130	350	650	R1/2	29.6	48.4
80	168	340	140	400	740	R1/2	38.8	65.3
100	219	420	160	470	880	R3/4	71.0	126.3
150	273	500	190	620	1175	R3/4	120.5	248.0



#### 直通篮式过滤器

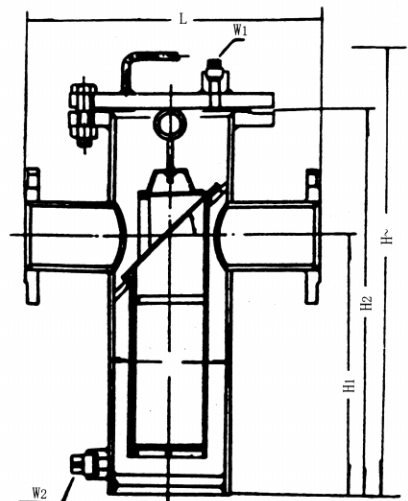
Straight way in basket filter

DN	D0	n-Y	Φ	L	H1	H2	H3	~ H	W(in)	Wt(kg)
200	290	4-16	325	560	540	230	1180	1875	R3/4	327.1
250	375	4-16	426	660	650	270	1350	2170	R3/4	472.3
300	420	4-16	480	750	860	320	1620	2690	R3/4	624.9
350	460	4-20	500	800	1010	370	1830	3085	R1	897
400	500	4-20	550	840	1150	400	2020	3445	R1	924.6
450	550	4-24	600	960	1310	440	2220	3810	R1	1084.5
500	640	4-24	700	1080	1440	470	2410	4145	R1	1587.6

#### 高低接管篮式过滤器

Height and low adapter basket filter

DN	Φ	L	H1	H2	H3	~ H	W(in)	WT(kg)	
								PN2.0	PN5.0
25	76	220	110	70	280	520	R3/8	9.6	12.5
32	76	220	110	70	285	525	R3/8	12.9	16.8
40	114	280	120	100	340	630	R3/8	18.6	24.5
50	114	280	120	100	340	630	R1/2	22.7	29.3
65	140	330	160	110	400	750	R1/2	33.3	40.6
80	168	340	180	140	460	860	R1/2	44.3	55.2
100	219	420	220	170	550	1040	R3/4	53.0	103.3
150	273	500	310	220	720	1375	R3/4	140.0	181.5



## 四十八、过滤器ZPG-10.16 系列

## 自动反冲洗排污过滤器

Filter

Automatic opposed wash and blow-down filter

### ※结构及用途

ZGP型过滤器是一个能使用低质水进行工业冷却的过滤器，同时也可用于其它需要过滤的工艺流程，它具有冲洗排除杂质功能，一般安装在换热器及其它执行机构的前面，定期冲洗排除杂质。在正常情况下，转向阀开启，水流经过滤器筒过滤后，由出口排出。当排污阀门开启后，通过过滤器液体总流量增加，流速增大，冲动了粘在过滤器管壁上的杂质，杂质由排污口排出。当转向阀关闭，排污阀开启时，水流被迫从过滤筒的进口段网孔进入过滤筒外侧，大部分从出口流出，一部分又从过滤器外部经杂质收集段网孔进入过滤筒内部，对过滤筒产生了反冲洗，达到从过滤筒外部冲洗粘附在网孔上杂质的效果，杂质仍通过排污口排出。

### Structure and purpose

ZGP type filter can carry out industry cooling using low quality water. Meanwhile it also can be applied to other filtering technics process, the filter has the function of removal of impurity, generally it is fixed in front of heat exchanger or other executing institution which swash impurity periodic. Under normal condition, turning valve on, the flow pushes-out from outlet through filter cansiter. When blow-down valve opens, the total flow through filter increase and velocity of flow aggrandize which impulse impurity pasting on the tube wall, so the impurity is eliminated through drain outlet. Turning valve off and blowing-down valve on, the flow is forced to enter filter cansiter exterior from inlet mesh of filter cansiter, the most pour from outlet, some enter into filter cansiter interior from impurity collected place of filter cansiter exterior, the flow swash contrary to filter cansiter, so the impurity pasting on the mesh can be eliminated, it also is discharged through the drain outlet.

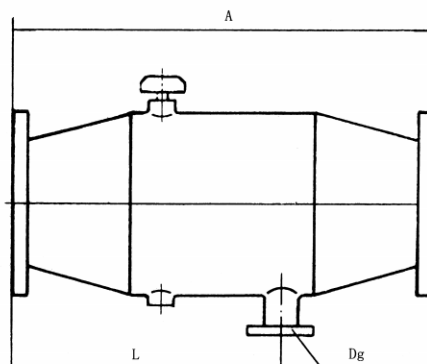
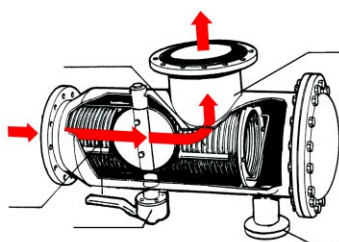
### ※主要技术性能 Main technology performances

- 1、ZPG型过滤器在全流量下能正常工作，及保持高流量，又具有低的压力降，避免了由于流速低而造成的表面污渍。
- 2、直接安装在管网系统上，不需要任何支撑结构，节省空间。
- 3、自动冲洗排污，不需要安装旁通路、拆卸排污。

- 1、ZPG filter can work normally in full flow, and keep high flow, it also has low differential pressure, so the surface feculence can be avoided because of high flow.
- 2、It can be fixed in pipeline system directly without any upholding structures, saving place.
- 3、It is automatic to swash and blow-off, it need not fix by-pass or take down to blow-off.

### ※主要外形尺寸 Main exterior dimensions

规格 Specification	A	L	排污口 Drain outlet
ZPG-I-100	350	260	32
ZPG-I-125	438	326	40
ZPG-I-150	525	390	50
ZPG-I-200	700	520	65
ZPG-I-250	875	650	80
ZPG-I-300	1050	780	100
ZPG-I-350	1200	885	125
ZPG-I-400	1400	1040	150
ZPG-I-450	1550	1145	150
ZPG-I-500	1700	1250	150
ZPG-I-600	2000	1460	200



## 四十九、止回阀H41H-16.25.40.64.100 系列

## 升降式止回阀

Check valve

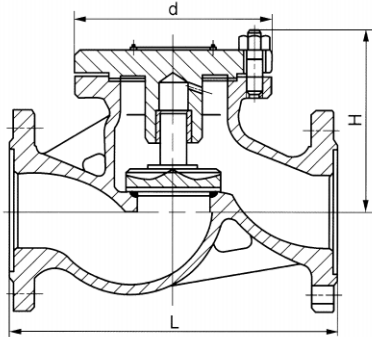
Lift type check valve

### ※结构及用途

该阀由阀体、阀盖和阀板等组成，安装在水平管道上，利用管路中介质本身流动产生的力而自动开启和关闭，阻止介质倒流。

### Structure and purpose

The valve is made up of body, bonnet and disc etc. It can be fixed in horizontal pipe. The valve can prevent medium from regorging because medium flow can make the power open and close the valve in the pipe automatically.



### ※主要技术参数 Main technology parameters

型号 Type	公称压力 (MPa) Nominal pressure	试验压力 Test pressure (MPa)		工作温度 Working temperature	适用介质 Suitable medium
		壳体 Shell	密封 Seal		
H41H-16C (P)	1.6	2.4	1.76	<425°C	水、蒸气、油 Water, Vapour, Oil
H41H-25C (P)	2.5	3.75	2.75		
H41H-40C (P)	4.0	6.0	4.40		
H41H-64C (P)	6.4	9.6	7.04		
H41H-100C (P)	10.0	15.0	11.0		

### ※主要零件材料 Main parts materials

零件名称 Name	材料 Material
阀体、阀盖 Body, Bonnet	碳钢 Carbon steel、不锈钢 Stainless steel
密封面 Sealing face	不锈钢或堆合金 Stainless steel or Surfacing alloy
垫片 Gasket	胶质石棉板 Colloid asbestos board

### ※主要外形尺寸 Main exterior dimension

公称通径 (mm) Nominal dimension	PN16 25 40			PN64 100		
	L	H	d	L	H	d
15	130	80	82	170	80	84
20	150	100	95	190	100	120
25	160	110	98	210	110	120
32	190	120	120	230	140	145
40	200	140	135	260	155	160
50	230	150	145	300	170	175
65	290	160	175	340	190	195
80	310	170	200	380	205	220
100	350	195	230	430	230	145
125	400	218	270	-	-	-
150	480	256	330	-	-	-
200	600	318	405	-	-	-
250	730	378	480	-	-	-
300	850	432	550	-	-	-
350	980	485	615	-	-	-
400	1100	555	705	-	-	-

法兰连接尺寸：铁制阀门按GB4216.4(5)-84标准，钢制阀门按GB/T9113.1-2000标准。

Flange connecting dimension; the iron valve accords to GB4216.4(5)-84 standard, the steel valve to GB/T9113.1-2000 standard.

## 五十、止回阀HC41X-10.16.25 系列

## (A型) 节能梭式止回阀

Check valve

(A type) Saving energy shuttle check valve

### ※结构及用途

HC41X节能梭式止回阀主要用于给水系统，垂直安装在管路中，靠系统内的压力差和阀瓣的自身重量实现升降，自动阻止介质的逆流，保证管路的正常运行使用。

### Structure and purpose

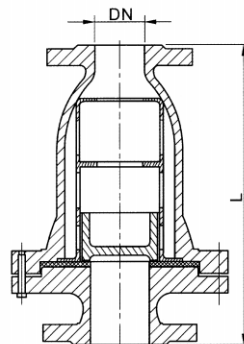
HC41X type saving energy shuttle check valve is applicable to water supply system. It can be fixed vertically in the pipeline. The valve disc itself can be lifted depending on the differential pressure and the weight of disc. It can prevent medium (water) from reflux to ensure pipeline run normally.

### ※主要技术参数 Main technology parameters

公称压力 Nominal pressure (MPa)	1.0	1.6	2.5
壳体试验压力 Shell test pressure (MPa)	1.5	2.4	3.75
密封试验压力 Sealing test pressure (MPa)	1.1	1.76	2.75
介质温度 Medium temperature	≤80°C		
适用介质 Suitable medium	清水、油品 Pure water, Oil		

### ※主要零件材料 Main part materials

阀体 Body	铸铁、铸钢 Cast iron, Cast steel
导向网 Guide net	球墨铸铁 Nodular cast iron
阀瓣 Disc	铸钢镀锌件 Cast steel galvanization
密封面 Sealing face	丁腈橡胶 NBR



### ※主要外型尺寸 Main exterior dimensions

DN	40	50	65	80	100	125	150	200	250	300	350	400
L	165	205	215	240	292	330	355	495	620	700	785	915

法兰连接尺寸：铁制阀门按GB4216.4(5)-84标准，钢制阀门按GB/T9113.1-2000 (RF) 标准。

Flange connecting dimension: the iron valve accords to GB4216.4(5)-84 standard, the steel valve to GB/T9113.1-2000(RF) standard.

## 五十一、止回阀HC41H(X)-10.16.25 系列

## (B) 型消声止回阀

Check valve

(B type) Noise elimination check valve

### ※结构及用途

该阀由阀体、阀板和弹簧等组成，适用于给、排水管道，阀瓣采用进出口两端中心轴导向，启闭灵活，可水平安装或垂直安装。阀瓣采用弹簧加载，其快速关闭能有效地减少水锤压力，密封性能好，关闭无噪音。它具有体积小、重量轻、流体阻力小、耐疲劳、寿命长等优点。

### Structure and purpose

The valve is made up of body, disc and spring etc. It is applicable to water supply and drainage pipeline, the disc is guided by centre axis of inlet and outlet, loaded by spring. It can close rapidly reducing water hammer pressure and is free to closing without noise. The valve can be fixed horizontally or vertically. It also has the characteristic of small volume, light weight, little flow resistance, enduring fatigue, long life-span.

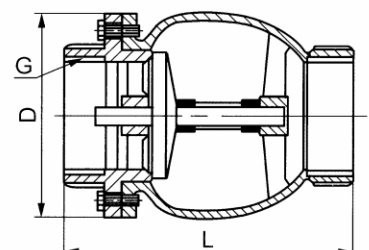
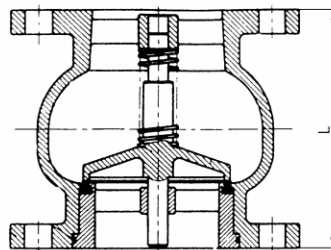
### ※主要技术参数 Main technology parameters

型号 Type	公称压力(MPa) Nominal pressure	试验压力 Test pressure(MPa)		介质温度 Medium temperature	适用介质 Suitable medium
		壳体 Shell	密封 Sealing		
HC11H(X)-10.16T	1.0	1.5	1.1	≤80°C	洁净水 Pure water
HC41H(X)-16.25	1.6	2.4	1.76		
HC41H(X)-16.25P	2.5	3.75	2.75		

### ※主要零件材料 Main parts materials

型号 Type	材料 Material
HC11H(X)-10.16T	全铜 Full bronze
HC41H(X)-16T	
HC41H(X)-16.25	铁壳铜芯 Iron body bronze core
HC41H(X)-16.25P	不锈钢 Stainless steel

公称通径(mm) Nominal dimension	HC11X-10.16T					
		15	20	25	32	40
G(inch)	1/2	3/4	1	1 1/4	1 1/2	2
L	65	75	90	105	120	140
D	45	48	58	66	74	89



### ※主要外形尺寸 Main exterior dimensions

DN(mm)	40	50	65	80	100	125	150	200	250	300	350	400	450	500	600
L	112	120	130	150	165	190	210	255	310	320	380	405	430	450	510



**五十二、止回阀HC42H.T.X-10.16.25DRV(Z.G) 系列**
**静音止回阀(DRV)**

Check valve

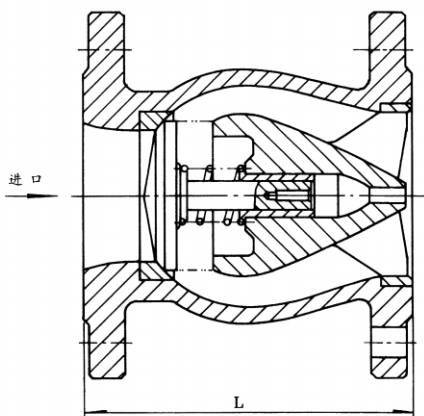
Check valve for calm sound(DRV)

**※结构及用途**

该阀由阀体、阀座、导流体、阀瓣、轴瓦及弹簧等零件组成。内部流道采用流线型设计，压力损失小，阀瓣启闭行程很短，停泵时可快速关闭，防止巨大的水锤声，形成静音效果。该阀主要用于给水、排水、消防、暖通系统，可安装于水泵出口处，防止介质倒流及水锤对泵的损坏。

**Structure and purpose**

The valve is made up of body, valve seat, guidedvane, disc, bearing bush and spring etc. The inner gangway in designed to streamline, the losing pressure is little, the route of disc open—close is short. When the pump stops, the valve can close rapidly to prevent huge water hammer noise. The valve is applicable to the system of water supply and drainage, fire control and heating. It can be fixed in the outlet of pump to prevent the refluent medium and the water hammer from destroying the pump.


**※主要技术参数 Main technology parameters**

公称压力Nominal pressure (MPa)	1.0	1.6	2.5
最高工作压力 (MPa) Highest working pressure	1.0	1.6	2.5
密封试验压力 (MPa) Sealing test pressure	1.1	1.76	2.75
壳体试验压力 (MPa) Shell test pressure	1.5	2.4	3.75
适用介质 Suitable medium	水 Water		
介质温度Medium temperature	$X < 80^{\circ}\text{C}$ , $T \leq 150^{\circ}\text{C}$ , $H \leq 200^{\circ}\text{C}$		

**※主要外形尺寸 Main exterior dimensions**

公称通径(mm) Nominal dimension	L (mm)
50	120
65	150
80	180
100	240
125	300
150	350
200	450
250	500
300	550
350	572
400	600
450	650
500	700

**※主要零件材料 Main parts materials**

零件名称 Name	材料 Material
阀体、导流体 Body, Guidedvane	铸铁、铸钢 Cast iron, Cast steel
阀座、轴瓦、阀瓣、轴 Valve seat, bearing bush Disc, Axis	青铜或不锈钢 Bronze or stainless steel
弹簧 Spring	不锈钢 Stainless steel

法兰连接尺寸：铁制阀门按GB4216.4(5)-84标准，钢制阀门按GB/T9113.1-2000 (RF) 标准。  
Flange connecting dimension: the iron valve accords to GB4216.4(5)-84 standards, the steel valve accords to GB/T9113.1-2000(RF) standards.

### 五十三、止回阀HQ41X-10.16 系列

Check valve

### 无磨损球形止回阀

Non abrasion ball check valve

#### ※结构及用途

该阀由阀体、阀盖、球体及挡板等组成，采用橡胶包皮滚球为阀瓣，在介质的作用下，可在阀体内的整体式滑道上作上下左右滚动，从而打开或关闭阀门。消声式关闭不产生水锤，密封性能好。阀体采用全水流通道，流量大，阻力小，水头损失比旋启式小50%。水平或垂直安装均可。

#### Structure and purpose

The valve is made up of body, bonnet, globe body and baffle etc. The disc is grounder wrapped rubber which can trundle around integral slideway of inner body in the medium effect, so the valve can be opened or closed. It will not bring water hammer because of closing with noise elimination. The valve adopts full flow gangway and has the characteristics of large flow, small resistance, the lose of waterpower is less 50% than the swing valve, it also can be fixed horizontally or vertically.

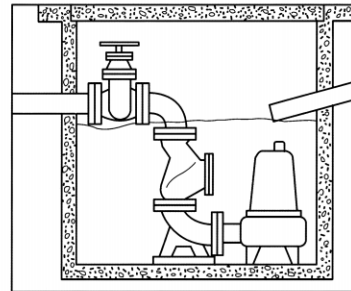
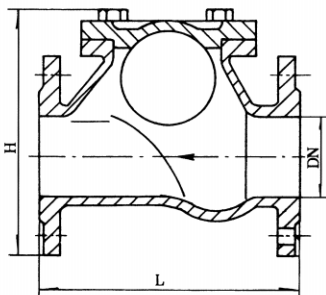


#### ※主要技术参数 Main technology parameters

型号 Type	公称通径 (MPa) Nominal dimension	试验压力 Test pressure (MPa)		介质 Medium	介质温度 Medium temperature
		壳体Shell	密封Sealing		
HQ41X-10	1.0	1.5	1.1	水 Water	≤80℃
HQ41X-16	1.6	2.4	1.76		

#### ※主要零件材料 Main part materials

零件名称 Name	材料 Material
阀体、阀盖 Body, Bonnet	铸铁、铸钢 Cast iron, Cast steel
球架、挡板 Ball shelf, Baffle	
球体 Ball	碳钢包橡胶 Carbon steel wrapping rubber



#### ※主要外形尺寸 Main exterior dimensions

公称通径 (mm) Nominal dimension	50	65	80	100	125	150	200	250	300	350
L (mm)	216	241	293	305	381	403	495	622	698	787
H (mm)	185	210	245	280	335	400	495	600	715	800

法兰连接尺寸：铁制阀门按GB4216.4(5)-84标准，钢制阀门按GB/T9113-2000 (RF) 标准。

Flange connecting dimension: the iron valve accords to GB4216.4(5)-84standard, the steel valve accords to GB/T9113.1-2000 (RF) standard.



## 五十四、止回阀HQ44(45)X-10.16系列

Check valve

## 无磨损球形止回阀

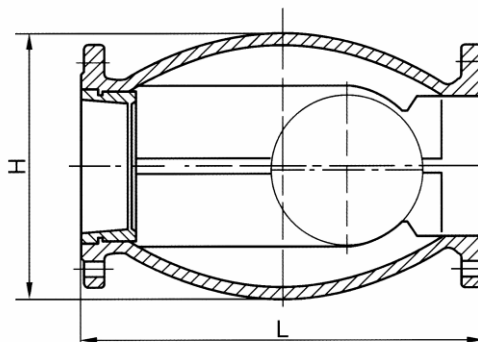
Non abrasion ball check valve

### ※结构及用途

该阀由阀体、球体和挡板等组成，采用橡胶包皮滚球为阀瓣，在介质的作用下，可在阀体内的整体式滑道上作上下左右滚动，从而打开或关闭阀门，消声式关闭，不产生水锤，密封性能好，水头损失少，可水平或垂直安装。

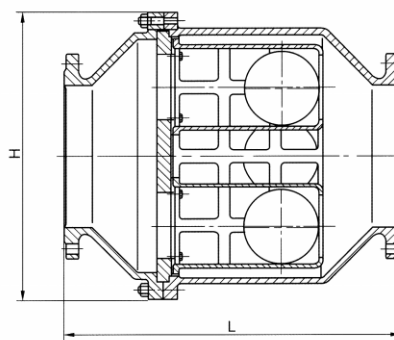
### Structure and purpose

The valve is made up of body, globe body and baffle etc. The disc is grounder wrapped rubber which can trundle around integral slideway of inner body in the medium action, so the valve can be opened or closed. It will not bring water hammer because of closing with noise elimination. The valve adopts full flow gangway and has the characteristic of large flow, small resistance, the lose of waterpower is little, it also can be fixed horizontally or vertically.



### ※HQ44X型主要外形尺寸 Main exterior dimension of HQ44X

公称通径(mm) Nominal dimension	50	65	80	100	125	150	200	250	300
L(mm)	250	280	310	350	400	450	550	650	750
H(mm)	180	210	225	245	280	320	380	450	510



### ※HQ45X型主要外形尺寸 Main exterior dimension of HQ45X

公称通径(mm) Nominal dimension	200	250	300	350	400	450	500	600	700	800	900	1000
L(mm)	550	650	750	850	950	1050	1150	1350	1450	1650	1900	2100
H(mm)	510	570	640	715	815	825	980	1155	1260	1350	1660	1700

法兰连接尺寸：铁制阀门按GB4216.4(5)-84标准，钢制阀门按GB/T9113.1-2000(RF)标准。

Flange connecting dimension: the iron valve accords to GB4216.4(5)-84 standard, the steel valve accords to GB/T9113.1-2000 (RF) standard.



## 五十五、止回阀HC44X-10.16.25(SFCV) 系列

## 橡胶瓣止回阀

Check valve

Check valve for rubber disc

### ※结构及用途

该阀由阀体、阀盖、阀瓣和弹簧等组成，主要用于给排水系统、石油、化工等工业部门的管道出口处，防止介质逆流。由于本产品的密封圈采用倾斜设计，关闭时间短，可减少水锤压力。阀瓣采用丁腈橡胶与钢板经高温压制而成，耐冲刷，密封性能好，产品结构简单、保养、维修、运输均很方便。

### Structure and use

The valve is made up of body, bonnet, disc and spring etc. It is applicable to the pipe outlet of water supply and drainage system, petroleum, chemical industries to prevent medium regorging. The seal ring of product is designed to leaning, so the close time is short and the water hammer pressure can be reduced. The disc is formed by compressing chemigum(NBR) and steel plate together under the high temperature, so the disc endures erosion and has the good sealing, the product has the simple structure, it is also convenient to maintain and transport.

### ※主要技术参数 Main technology parameters

公称压力(MPa) Nominal pressure	1.0	1.6	2.5
壳体试验压力(MPa) Shell test pressure	1.5	2.4	3.75
密封试验压力(MPa) Sealing test pressure	1.1	1.76	2.75
介质温度 Medium temperature	<80℃		
适用介质 Suitable medium	清水、油品 Water, Oil		

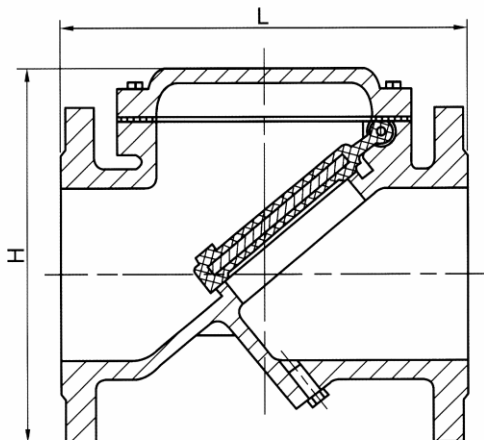


### ※主要零件材料 Main part materials

阀体、阀盖 Body, Bonnet	铸铁、铸钢 Cast iron, Cast steel
阀瓣 Disc	橡胶组合件 Rubber groupware
弹簧 Spring	不锈钢 Stainless steel

### ※主要外形尺寸 Main exterior dimensions

公称通径(mm) Nominal dimension	L	H
40	165	165
50	203	165
65	216	185
80	241	200
100	292	220
125	330	280
150	356	285
200	495	340
250	622	395
300	698	445
350	787	505
400	914	565
450	978	615
500	978	670
600	1295	780



## 五十六、止回阀DHH44H(X)-10.16 系列

## 微阻缓闭消声止回阀

Check valve

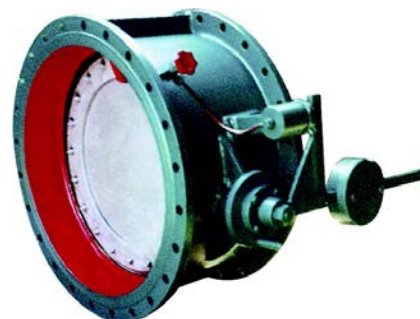
Check valve for tiny damping and noise elimination

### ※结构及用途

该阀由阀体、蝶板、阀杆、油缸、调节阀等组成，适用于给排水管道和加压输水泵的出口处，采用斜板式结构，达到无震动、无噪音、运行平稳，具有节能效果。采用延缓关闭的方式使局部倒流水向系统内泄流，从而大大降低了停泵倒流的水压冲击力，消除了破坏性水锤峰值的产生，截流密封采用丁腈橡胶，密封性能好、减震耐磨、使用寿命长、维修方便。

### Structure and purpose

The valve is made up of body, disc, spindle, oil cylinder and regulating valve etc, it is applicable to the pipe of water supply and drainage and outlet of prelum water pump, because of slant plate structure, the valve has not noise, shock. It also run calmly and save energy. The valve adopts deferred close, so part refluent water effuses in interior, this will reduce refluent pressure impulse when the pump stops, the peak value of water hammer can be eliminated, the sealing face is chemigum(NBR), the valve has the characteristics of good sealing, abrasion proof, long life-span, convenient to maintain.



### ※主要技术参数 Main technology parameters

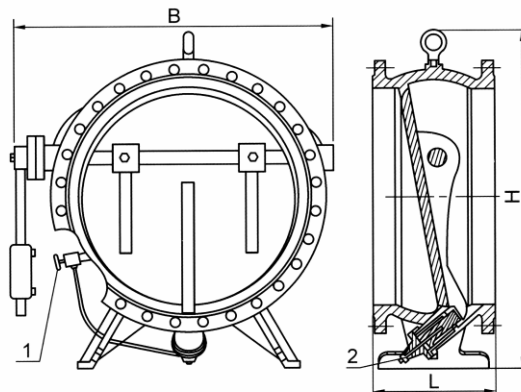
型号 Type	公称通径 (mm) Nominal dimension	试验压力 Test pressure (MPa)		工作温度 Working temperature	适用介质 Suitable medium
		壳体 Shell	密封 Seal		
DHH44X	1.0	1.5	1.1	≤80℃	清水、污水、泥浆水 Pure water, Sullage Mud water
DHH44H	1.6	2.4	1.75		

### ※主要外形尺寸 Main exterior dimensions

公称通径(mm) Nominal dimension	尺寸 Dimension (mm)		
	L	H	B
200	230	550	450
250	250	630	520
300	270	690	590
350	290	780	670
400	310	860	750
450	330	910	780
500	350	980	850
600	390	1070	970
700	430	1220	1080
800	470	1320	1200
900	510	1430	1300
1000	550	1550	1450
1200	630	1800	1670
1400	710	1980	1880
1600	790	2150	1950
2000	950	2550	2450

### ※主要零件材料 Main Parts materials

零件名称 Name	材料 Material
阀体 Body	铸铁、碳钢 Cast iron, Carbon steel
蝶板 Disc	碳钢 Carbon steel
密封面 Sealing face	丁腈橡胶 NBR、不锈钢 Stainless steel
阀杆 Spindle	不锈钢 Stainless steel
缓冲油缸 Buffering cylinder	



法兰连接尺寸：铁制阀门按GB4216.4(5)-84标准，钢制阀门按GB/T9113.1-2000(RF)标准。

Flange connecting dimension: the iron valve accords to GB4216.4(5) standard, the steel valve accords to GB/T9113.1-2000(RF) standard.



## 五十七、止回阀HH44X(H.T)–10.16.25 系列

## 微阻缓闭止回阀

Check valve

Tiny damping check valve

### ※结构及用途

该阀由阀体、阀盖、阀瓣、阀轴及调节阀等组成，安装在水泵出口处用来防止介质逆流和消除破坏性水锤，并能有效地减少阀门关闭的水锤压力，可保障管网安全运行。它具有阀瓣轻、开度大、节电效果显著，流体阻力小，水锤消除机构设计新颖，密封性能稳定可靠、耐磨损、使用寿命长、运行平稳、无震动、无噪音等特点。

### Structure and use

The valve is made up of body, bonnet, disc, valve axis and regulating valve etc. It can be fixed in the outlet of water pump to prevent medium from reflux and remove deatructive water hammer, it also can effetively reduce water hammer pressure when the valve closes, so the pipeline can run safely. The valve has characteristics of light disc, large open degree, distinct saving electricity, small flow resistance, neoteric structure of water hammer elimination, stable sealing performance, enduring abrasion, long life—span, non shock and noise.

### ※主要技术参数 Main technology parameters

型号 Type	公称通径 (mm) Nominal dimension	公称压力 (MPa) Nominal pressure	试验压力 Test pressure (MPa)		最高工作压力 (MPa) Highest work pressure	介质温度 Medium temperature	适用介质 Suitable medium
			壳体 Shell	密封 Seal			
HH44X(T,H)–10.16.25	50~80	1.0	1.5	1.1	1.0	X ≤ 80°C T(H) ≤ 200°C	水、弱腐蚀性介质 Water, The weakly amytic medium
		1.6	2.4	1.76	1.6		
		2.5	3.75	2.75	2.5		

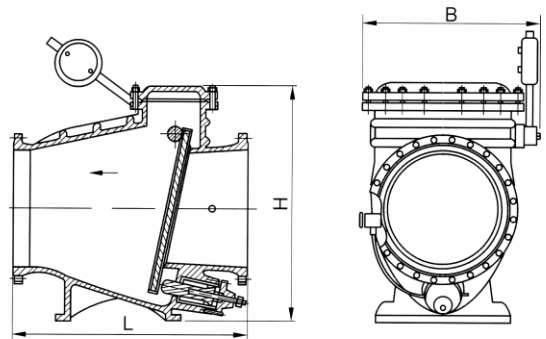
### ※主要零件材料 Main part materials

零件名称 Name	阀体、阀盖 Body, Bonnet	阀瓣 Disc	阀轴 Valve axis
材料 Material	铸铁、铸钢 Cast iron, Cast steel	橡胶组合件 Rubber groupware	不锈钢 Stainless steel



### ※主要外形尺寸 Main exterior dimensions

公称通径 (mm) Nominal dimension	尺寸 Dimension (mm)		
	L	H	B
40	200	300	220
50	230	300	270
65	290	320	290
80	310	354	300
100	350	380	320
125	400	500	340
150	480	580	410
200	500	670	450
250	600	730	550
300	700	820	580
350	800	920	630
400	900	950	700
450	1000	1100	800
500	1100	1200	900
600	1300	1550	990
700	1400	1700	1120
800	1500		1300



法兰连接尺寸：铁制阀门按GB4216.4(5)–84标准，钢制阀门按GB/T9113.1–2000 (RF) 标准。

Flange connecting dimension: the iron valve accords to GB4216.4(5) standard, the steel valve accords to GB/T9113.1–2000(RF) standard.

## 五十八、止回阀HH46(48.49) H(X)-10.16.25系列

Check valve

## 微阻缓闭蝶式止回阀

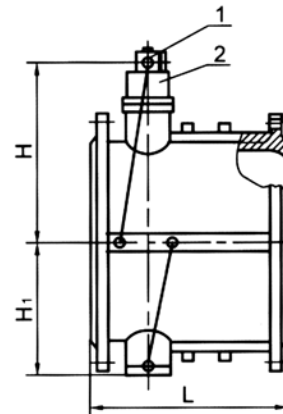
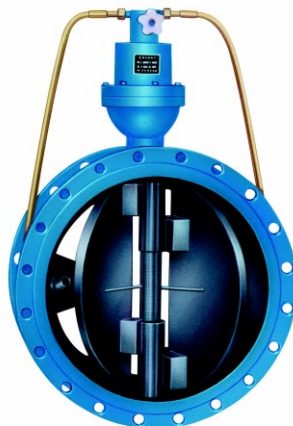
Tiny damping butterfly check valve

### ※结构及用途

该阀由阀体、阀杆、蝶板、油缸及调节阀等组成，适用在清水、污水、海水等介质的排水管道上，既能防止介质的倒流，又能有效地限制破坏性水锤，保证管线的使用安全。它具有结构新颖、体积小、重量轻、流体阻力小、密封可靠、启闭平稳、耐磨损、使用寿命长，缓闭不受介质影响，节能效果好。

### Structure and purpose

The valve is made up of body, spindle, butterfly disc, oil cylinder and regulating valve. It is applicable to drainage pipe of pure water, sewage, seawater, the valve can prevent medium from reflux and restrict destructive water hammer to ensure safety of pipeline. It has characteristics of neoteric structure, small volume, light weight, small flow resistance, reliable sealing, enduring abrasion, long life-span, district saving energy.



### ※主要零件材料 Main part materials

零件名称 Name	阀体 Body	阀瓣 Disc	阀杆、油缸、活塞、弹簧 Spindle, Oil cylinder, Plunger, Spring	阀座 Valve seat
材料 Material	铸铁、铸钢 Cast iron, Cast steel	碳钢 Carbon steel	不锈钢 Stainless steel	丁腈橡胶 NBR

### ※主要技术参数 Main technology parameters

型号 Type	公称压(MPa) Nominal dimension	试验压力Test pressure(MPa)		适用温度 Suitable temperature	适用介质 Suitable medium	缓闭时间 Low close time
		壳体Shell	密封Seal			
HH46X	1.0	1.5	1.1	≤80℃	清水、污水、海水 Pure water, Sullage Seawater	≤60秒
HDH48X	1.6	2.4	1.76			
HH49X	2.5	3.75	2.75			

### ※主要外形尺寸 Main exterior dimensions

公称通径(mm) Nominal dimension	尺寸 Dimension (mm)			公称通径(mm) Nominal dimension	尺寸 Dimension (mm)		
	L	H	H1		L	H	H1
40	140	200	88	350	290	480	297
50	150	215	98	400	310	550	324
65	170	225	108	450	330	585	351
80	180	235	118	500	350	640	379
100	190	280	130	600	390	720	434
125	200	290	148	700	430	780	491
150	210	310	172	800	470	840	549
200	230	350	210	900	510	990	600
250	250	415	240	1000	550	1050	655
300	270	450	264	1200	630	1210	770

法兰连接尺寸：铁制阀门按GB4216.4(5)-84标准，钢制阀门按GB/T9113.1-2000(RF)标准。

Flange connecting dimension: the iron valve accords to GB4216.4(5) standard, the steel valve accords to GB/T9113.1-2000(RF) standard.



## 五十九、止回阀ZHYH46H(W.EJ)-16.25.40 系列

## 微阻缓闭蝶式止回阀

Check valve

Tiny damping butterfly check valve

### ※结构及用途

该阀可用在清水、污水、海水等介质的供排水管道上，既能防止介质的倒流，又能有效地限制破坏性水锤，保证管线的安全使用。该阀结构新颖、体积小、密封可靠、启闭平稳、耐磨损、使用寿命长、油压缓闭不受介质影响、流阻小、应用范围广，并且有较好的节能效果。

### Structure and purpose

The valve is applicable to water supply and drainage system of pure water, sewage, seawater etc. It can prevent medium reflux and restrict destructure water hammer to ensure safety of pipeline. The valve has characteristics of neoteric structure, small volume, light weight, reliable sealing, enduring abrasion, long life-span, small flow resistance, wide applied range, district saving energy.

### ※主要技术参数 Main technology parameters

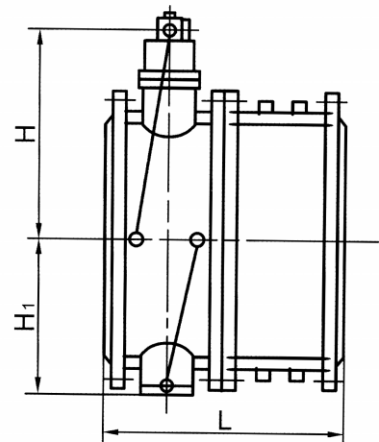
型号 Type	公称压力(MPa) Nominal pressure	试验压力 Test pressure(MPa)		介质温度 Medium temperature	适用介质 Suitable medium
		壳体Shell	密封Seal		
ZHY46H(W)-16.25.40CP ZHYH46EJ-16.25	1.6	2.4	1.76	≤120°C	清水、污水、海水 Pure water, Sullage Seawater
	2.5	3.75	2.75		
	4.0	6.0	4.4		

### ※主要零件材料 Main part materials

型号 Type	阀体、蝶板 Body, Disc	阀杆、活塞、缸套 Spindle, Plunger, Cylinder sleeve	弹簧 Spring	阀座 Valve seat
ZHY46H(W)-16.25.40CP ZHYH46EJ-16.25	碳钢、不锈钢 Carbon steel Stainless steel	不锈钢 Stainless steel		不锈钢、橡胶 Stainless steel Rubber

### ※主要外形尺寸 Main exterior dimensions

公称通径(mm) Nominal dimension	L	H	H1
100	240	280	115
125	260	290	142
150	275	310	172
200	305	350	210
250	340	415	240
300	370	450	264
350	400	480	294
400	435	550	324
450	470	585	351
500	500	640	379
600	560	720	434
700	620	750	491
800	680	792	549
900	740	900	600
1000	800	975	655
1200	920	1140	770



法兰连接尺寸：铁制阀门按GB4216.4(5)-84标准，钢制阀门按GB/T9113.1-2000标准。

Flange connecting dimension; the iron valve accords to GB4216.4(5) standard, the steel valve accords to GB/T9113.1-2000 standard.



# 六十、止回阀HH47H(X)-10.16.25 系列

Check valve

# 蝶式缓冲止回阀

Buffering butterfly check valve

## ※结构及用途

H47X、H47H、H<sub>H</sub>47X、H<sub>H</sub>47H、H47X<sub>F</sub>、HDH47X型蝶式缓冲止回阀，主要用于工业供排水、污水处理厂的水泵出口处，防止管网中介质逆流。自动消除破坏性水锤，从而保证水泵和管路不受损坏。该阀主要有阀体、阀瓣、缓冲装置和微量调节阀组成。该产品具有结构新颖、体积小、流体阻力小、运行平稳、密封可靠、耐冲刷、耐磨损、缓冲性能好等特点。

## Structure and purpose

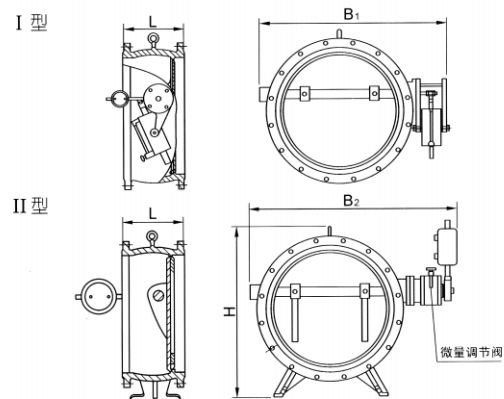
Type of H47X、H47H、H<sub>H</sub>47X、H<sub>H</sub>47H、H47X<sub>F</sub>、HDH47X Butterfly check valve for buffering is applicable to the pump outlet of water supply and drainage, sewage work in industries, it can prevent medium of pipe network from reflux and eliminate destructure water hammer to ensure that the water pump and pipeline run safely. The valve is made up of body, disc, buffer unit and regulating valve. It has characteristics of neoteric structure, small volume, light weight, reliable sealing, enduring abrasion, good buffering performance.

## ※主要技术参数 Main technology parameters

型号 Type	公称压力(MPa) Nominal dimension	试验压力 Test pressure(MPa)		工作压力(MPa) Working pressure	介质温度 Medium temperature	适用介质 Suitable medium
		壳体Shell	密封Seal			
H47X H47H H <sub>H</sub> 47X	1.0	1.5	1.1	1.0	≤80℃	水、油品、 污水、海水 Water, Sullage, Oil, Seawater
H <sub>H</sub> 47H H47X <sub>F</sub> HDH47X	1.6	2.4	1.75	1.6		
	2.5	3.75	2.75	2.5		

## ※主要零件材料 Main part materials

零件名称 Name	阀体 Body	蝶板 Butterfly disc	密封圈 Sealing ring	阀杆 Spindle	填料 Filling
材料 Material	铸铁、碳钢 Cast steel, Carbon steel	铸铁、铸钢、球铁 Cast iron, Cast steel, Nodular cast iron	丁腈耐油橡胶、不锈钢 NBR, Stainless steel	不锈钢 Stainless steel	聚四氟乙烯 PTFE



## ※主要外形尺寸 Main exterior dimensions

公称通径(mm) Nominal dimension		200	250	300	350	400	450	500	600	700	800	900	1000	1200	1400
尺寸 mm	L	230	250	270	290	310	330	350	390	430	470	510	550	630	710
	H	550	630	690	780	860	910	980	1070	1220	1320	1430	1500	1800	1980
	B <sub>1</sub>	540	600	650	710	770	830	900	1090	1200	1320	1420	1550	1780	2000
	B <sub>2</sub>	600	700	740	800	870	920	1000	1250	1360	1480	1580	1700	1950	2175

法兰连接尺寸：铁制阀门按GB4216.4(5)-84标准，钢制阀门按GB/T9113.1-2000(RF)标准。

Flange connecting dimension: the iron valve accords to GB4216.4(5) standard, the steel valve accords to GB/T9113.1-2000(RF) standard.

## 六十一、止回阀H71H(W)-16.25.40系列

Check valve

## 对夹升降式止回阀

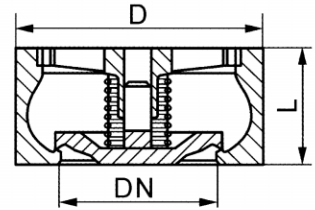
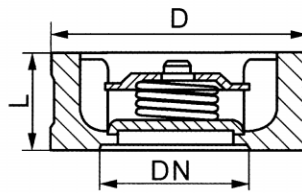
Wafer lift type check valve

### ※结构及用途

该阀由阀体、阀瓣、弹簧等组成，水平或垂直安装于管路系统，防止介质倒流，具有结构短、体积小、质量轻；阀瓣关闭快速，水锤压力小；流道通畅，流体阻力小；动作灵敏，密封性能好。

### Structure and purpose

The valve is made up of body, disc, spring etc. It can be fixed in pipeline system horizontally or vertically to prevent medium against reflux, it has characteristics of short structure, small volume, light weight, rapid close, small pressure of water hammer, expedite gangway, small flow resistance, sensitive action, good sealing function.



### ※主要技术参数 Main technology parameters

型号 Type	公称通径(mm) Nominal dimension	试验压力 Test pressure (MPa)		工作温度(°C) Working temperature	适用介质 Suitable medium
		壳体Shell	密封Seal		
H71H-16Q	1.6	2.4	1.76	≤235	水、蒸气、油品等 Water, Vapour, Oil
H71H-25Q				≤235	
H71W-25H	2.5	3.75	2.75	≤300	
H71W-25P				≤200	
H71W-40H	4.0	6.0	4.4	≤300	硝酸等腐蚀性介质 Amyctic medium as aqua fortis
H71W-40P				≤200	水Water, 蒸气Vapour, 油Oil

### ※主要零件材料 Main part materials

型号 Type	阀体 Body	阀瓣 Disc	弹簧 Spring
H71H-16Q H71H-25Q	QT400-15	25	50CrVA
H71W-25H H71W-40H	2Cr13	1Cr13	1C18Ni9
H71W-25P H71W-40P	ZG1Cr18Ni9	1C18Ni9Ti	1C18Ni9Ti

### ※主要外形尺寸 Main exterior dimensions

公称通径 (mm) Nominal dimension	L	D			公称通径 (mm) Nominal dimension	L			
		1.6	2.5	4.0			1.6	2.5	4.0
15	25	48	48	48	80	71	140	140	140
20	31.5	58	58	58	100	80	160	165	165
25	35.5	68	68	68	125	110	190	195	195
32	40	80	80	80	150	125	215	225	225
40	45	90	90	90	200	160	270	285	290
50	56	105	105	105	250	200	330	340	350
65	63	125	125	125	300	250	385	400	415

法兰连接尺寸：铁制阀门按GB4216.4(5)-84标准，钢制阀门按GB/T9113.1-2000 (RF) 标准。

Flange connecting dimension; the iron valve accords to GB4216.4(5) standard, the steel valve accords to GB/T9113.1-2000(RF) standard.



## 六十二、止回阀H74H(X)-10.16.25.40系列

Check valve

## 对夹圆片式止回阀

Wafer circle check valve

### ※结构及用途

该阀是一种超薄止回阀，它具有结构简单，外形美观、重量轻、安装方便等优点。主要适用于给水系统、石油、化工、冶金等工业部门对有安装空间限制的场所最为适用。

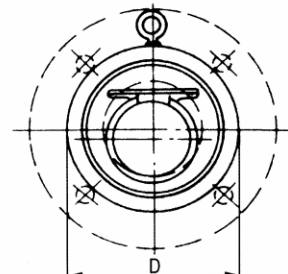
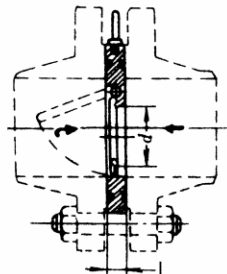
### Structure and purpose

The valve is an extra-thin check valve. It has characteristics of simple structure, beautiful appearance, light weight, convenient installment. It is applicable to industrial sectors of water supply, petroleum, chemical industry, metallurgy in which the limited space is to fix it.

型号 Type	公称口径(mm) Nominal dimension	试验压力 Test pressure(MPa)		适用温度 Suitable temperature(°C)		适用介质 Suitable medium
		壳体Shell	密封Seal	硬密封Hard seal	软密封Soft seal	
H74H(X)-10	1.0	1.5	1.1	≤400	≤120 最高≤250	油、水、酸 碱等液体 Oil, Water, Acid, Alkali
H74H(X)-16	1.6	2.4	1.76			
H74H(X)-25	2.5	3.75	2.75			
H74H(X)-40	4.0	6.0	4.4			

### ※主要零件材料 Main part materials

零件名称 Name	阀体、阀瓣 Body, Disc	密封圈 Sealing ring
材料 Material	碳钢、不锈钢、铜 Carbon steel, Stainless steel, Copper	丁腈橡胶、三元丙橡胶、聚四氟乙烯、不锈钢 NBR, Tribasicrubber(PTDM), PTFE, Stainless steel



### ※主要外形尺寸 Main exterior dimensions

公称口径(mm) Nominal dimension	d	L		D			
		I 型	II 型	PN1.0	PN1.6	PN2.5	PN4.0
50	25	15	22	109	109	109	109
65	38	15	22	129	129	129	129
80	46	15	22	144	144	144	144
100	72	15	24	164	164	170	170
125	95	16	26	194	194	186	186
150	114	19	29	221	221	226	226
200	140	29	43	275	275	283	293
250	188	29	43	330	331	343	355
300	216	38	50	380	386	403	420
350	263	41	52	440	446	460	477
400	305	51	62	491	498	517	549
450	356	51	62	541	558	567	574
500	406	65	80	596	620	627	631
600	482	70	90	698	737	734	750

(1) 法兰连接尺寸：按GB/T9113.1-2000标准。Flange connecting dimension: according to GB/T9113.1-2000 standards.

(2) I型用于流速稳定的工况；II型在I型的基础上加弹簧装置。Type I is applied to stable flow conditions, type II has spring device relating to Type I.

### 六十三、止回阀DH76H(X)-10.16 系列

Check valve

### 对夹式双瓣止回阀

Double discs wafer check valve

#### ※结构及用途

该阀由阀体、阀瓣、阀杆及弹簧等组成，采用对夹连接。由于阀瓣的关闭行程短，并且有弹簧加载，可显著减少水锤现象。该阀主要适用于城市、工业及高层建筑给水、排水管线上。由于其结构长度比一般止回阀短，对有安装空间限制的场所最为适用。

#### Structure and purpose

The valve is made up of body, disc, spindle and spring etc. It adopts wafer connection. As close route of the disc is short and the spring loads, the water hammer phenomenon can be reduced. The valve is applicable to water supply and drainage pipeline of city, industry or high building. Because the structure length is less than common check valve, the valve is the best choice for the limited fixing places.

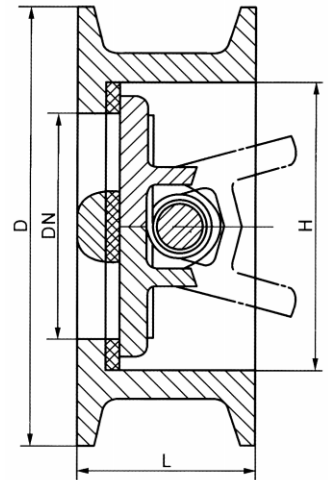


#### ※主要零件材料 Main part materials

零件名称 Name	阀体 Body	阀杆 Spindle	阀瓣 Disc	弹簧 Spring	阀座 Valve seat
材料 Material	铸铁、铸钢 Cast iron, Cast steel	不锈钢 Stainless steel	碳钢 Carbon Steel	不锈钢 Stainless steel	丁腈橡胶、不锈钢 NBR, Stainless steel

#### ※主要技术参数 Main technology parameters

公称通径 Nominal dimension (mm)	试验压力 Test pressure(MPa)		介质温度 Medium temperature	适用介质 Suitable medium
	壳体Shell	密封Seal		
1.0	1.5	1.1	$X \leq 80^{\circ}\text{C}$	清水、污水、海水 Pure water, Sullage, Seawater
1.6	2.4	1.76	$H \leq 350^{\circ}\text{C}$	



#### ※主要外形尺寸 Main exterior dimensions

公称通径(mm) Nominal dimension	L(mm)	H(mm)	D(mm)		公称通径(mm) Nominal dimension	L(mm)	H(mm)	D(mm)	
			1.0MPa	1.6MPa				1.0MPa	1.6MPa
50	43	60	105	105	350	127	356	438	444
65	46	73	124	124	400	140	418	489	495
80	64	89	142	142	450	152	457	540	555
100	64	110	162	162	500	152	526	594	616
125	70	141	192	192	600	178	626	695	734
150	76	168	218	218	700	229	672	810	804
200	89	219	272	273	800	241	778	916	910
250	114	273	328	328	900	241	878	1016	1010
300	114	324	378	384	1000	300	914	1124	1128

法兰连接尺寸：铁制阀门按GB4216.4(5)-84标准，钢制阀门按GB/T9113.1-2000 (RF) 标准。

Flange connecting dimension; the iron valve accords to GB4216.4(5) standard, the steel valve accords to GB/T9113.1-2000(RF) standard.

## 六十四、止回阀H77H(X.W.Y)-10.16.25.40.64 系列

## 对夹式止回阀

Check valve

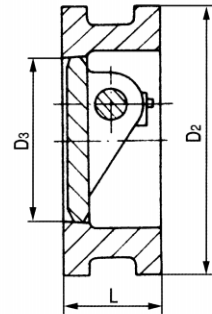
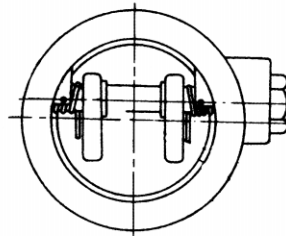
Wafer check valve

### ※结构及用途

该阀由阀体、阀板、阀杆、弹簧等组成，可水平或垂直安装于水等介质管路上，防止管路介质倒流，由于采用合金钢制造，使用范围广、耐高温、启闭灵敏、密封性能好。

### Structure and purpose

The valve is made up of body, spindle, disc and spring etc. It can fixed in water pipeline horizontally or ventially to prevent medium from reflux, because the material is alloy steel, the valve has characteristics of the wide using scope, high temperature-proof, sensitive open-close, good sealing performances.



### ※主要技术参数 Main technology parameters

型号 Type	公称压力(MPa) Nominal dimension	试验压力Test pressure(MPa)		介质温度 Medium temperature	适用介质 Suitable medium
		壳体Shell	密封Seal		
H77X	1.0	1.5	1.1	软密封Soft seal <80°C 硬密封Hard seal <450°C	水、气体、油品、 硝酸等 Water, Gas, Oil, Aqua fortis
H77H	1.6	2.4	1.76		
H77Y	2.5	3.75	2.75		
H77W	4.0	6.0	4.4		
	6.4	9.6	7.0		

### ※主要零件材料 Main part materials

零件名称Name	材料 Material				
	H77X-10C.16.25.40	H77H-16C.25.40.64	H77Y-25L.40L.64L	H77W-16C.25C.25.40	H77W-10P.16P.25P.40P
阀体、蝶板Body, Disc	铸钢 Cast steel WCB		铬钼钢 1Cr5Mo	铸钢Cast steel WCB	1Cr18Ni9Ti
阀杆Spindle	2Cr13			2Cr13	
阀体密封圈Body seal ring	-	堆焊合金Surfacing alloy	硬质合金Surfacing hard alloy	-	-
助关弹簧Spring for close	1Cr18Ni9Ti	耐热合金 Heat resisting alloy			1Cr18Ni9Ti

### ※主要外形尺寸 Main exterior dimensions

公称通径(mm) Nominal dimension	L	D <sub>2</sub>	D <sub>3</sub>		公称通径(mm) Nominal dimension	L	D <sub>2</sub>	D <sub>3</sub>	
			H77X	H77H H77Y H77W				H77X	H77H H77Y H77W
50	43	100	43	46	400	140	485	376	390
80	64	135	71	80	450	152	545	427	472
100	64	155	91.5	94	500	152	608	479	490
125	70	185	115	118	600	178	718	579	588
150	76	210	141	145	700	229	800	675	686
200	89	265	191	200	800	241	905	774	784
250	114	320	230	250	900	241	1005	875	-
300	114	375	290	300	1000	300	1115	974	-
350	127	435	340	340	1200	350	1325	1164	-

法兰连接尺寸：按GB/T9113.1-2000标准。Flange connecting dimension: according to GB/T9113.1-2000 standard.

## 六十五、水锤吸纳器ZYA8000(9000)-16.25系列

## 气囊式水锤吸纳器

Water hammer absorber

Gasbag water hammer absorber

### ※结构及用途

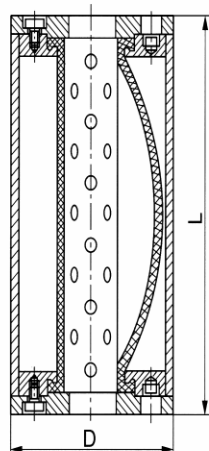
ZYA-8000 型胶胆气囊式水锤吸纳器由外壳、高级合成橡胶弹性内胆及多孔管等组成。适用于工矿、企业、高层建筑、电站等各类给排水系统中。在无需阻止水流的条件下，具有超卓的水击吸收力，有效地吸纳水锤。

ZYA-9000型活塞气囊式水锤吸纳器的内部有一密封的容器腔，下端为一活塞。当冲击波传入水锤吸纳器时，水击波作用于活塞上，活塞将往容器腔方向运动，活塞在一定压力的气体和不规则水击波双重作用下做上下运动，形成一个动态的平衡，这样就消除了不规则的水击震荡。

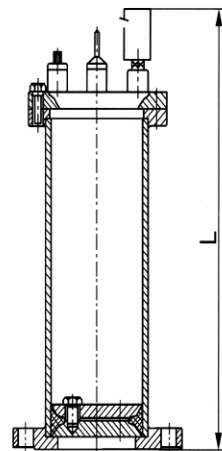
### Structure and purpose

ZYA-8000 type Water hammer absorber with gluey gallbladder gasbag is composed of crust, advanced synthenic rubber gallbladder and perforated pipe. It is applicable to water supply and drainage system of industrial and mining establishments, company, high building, power station. It can absorb water hammer effectively in the case of flow need not be hold back.

ZYA-9000 type Water hammer absorber with plunger gasbag has a sealing container which has a plunger in inferior. When the shock wave enters into the water hammer absorber, the plunger make up and down motion under a certain gas pressure and the irregular water shock wave, this will form a dinamic balance, so the irregular concussion can be eliminated.



ZYA-8000型



ZYA-9000型



### ※主要零件材料 Main part materials

公称压力 Nominal pressure (MPa)		1.6	2.5
试验压力 (MPa) Test pressure	壳体 Shell	2.4	3.75
	密封 Seal	1.76	2.75
容器腔压力(占管道压力百分比) Vessel pressure(the percent of pipe)		50~70%	
连接形式 connecting type		法兰 Flange	
适用介质 Suitable medium		无杂物的清水、污水 Pure water of non sundries, Sullage	
介质温度 Medium temperature		0~80℃	

### ※主要外形尺寸 Main exterior dimensions

ZYA-9000型				ZYA-9000型				ZYA-8000型			
公称通径(mm) Nominal dimension		L		公称通径(mm) Nominal dimension		L		公称通径(mm) Nominal dimension		D	L
管径(inch) Caliber	mm	1.6MPa	2.5MPa	管径(inch) Caliber	mm	1.6MPa	2.5MPa	管径(inch) Caliber	mm		
1/2	15	200	220	3	80	510	520	2	50	165	250
3/4	20	300	320	4	100	575	585	2 <sup>1</sup> / <sub>2</sub>	65	185	320
1	25	320	340	5	125	600	600	3	80	200	375
1 <sup>1</sup> / <sub>4</sub>	32	340	355	6	150	645	645	4	100	220	450
1 <sup>1</sup> / <sub>2</sub>	40	350	380	8	200	730	755	5	125	250	550
2	50	365	385	10	250	820	855	6	150	285	625
2 <sup>1</sup> / <sub>2</sub>	65	465	485	12	300	920	955	8	200	340	810

法兰连接尺寸：按GB/T9113.1-2000(RF)标准。

Flange connecting dimension: according to GB/T911301-2000(RF) standard.



## 六十六、防爆波阀FA49H-10.16 系列

Avoiding wave valve

## 防爆波安全阀

Avoiding wave safety valve

### ※结构及用途

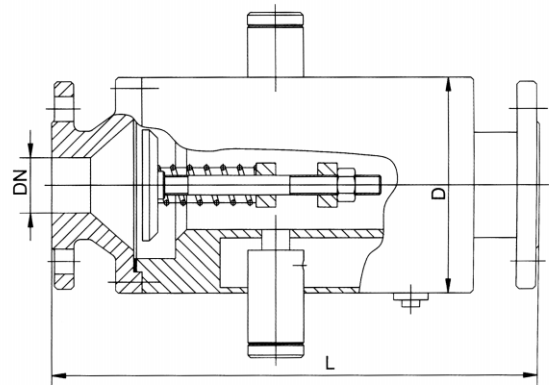
FA49H型防爆波安全阀，是一种既能消除水锤冲击波又能阻挡水锤冲击波的水用安全阀。它是由多组安全阀组成的产品，所起到的功能是单一安全阀无法达到的。该阀安装于给水工程管道的头部，以挡波和消波方式相结合，防止水锤冲击波沿着管道进入系统给水工程内部，从而达到消除破坏性水锤的冲击波，起到保护系统设施正常运转和安全防护的目的。

### Structure and purpose

FA49H type Avoiding wave Safety valve can not only eliminate water hammer shock wave but also hold back water hammer shock wave. It is composed of multipacket safety valve and has more functions than single safety valve. The valve can be fixed in front of water supply pipeline to prevent water hammer shock wave from entering system inner, so the deatructive shock wave can be eliminated and the equipments can be protected for running normally and safely.

### ※主要技术参数 Main technology parameters

型号 Type	公称压力(MPa) Nominal pressure	工作压力(MPa) Working Pressure	壳体试验压力(MPa) Shell test pressure	介质温度 Medium temperature	适用介质 Suitable medium
FA94H-10	1.0	0.2	1.5	0~80°C	清水 Pure water
FA49H-16	1.6	0.25~0.5	2.4		



### ※主要外形尺寸 Main exterior dimensions

公称通径(mm) Nominal dimension	50	65	80	100	125	150	200
L	390	440	440	500	520	535	600
D	160	160	160	220	270	270	375

法兰连接尺寸：按GB/T9113.1-2000标准。

Flange connecting dimension: according to GB/T9113.1-2000 standard.

## 六十七、温控器TR80(81.82)系列

Temperature controller

## TR 系列房间温控器

Room TR temperature controller

### ※产品特点:

- 外形美观小巧
- 双金属片感温, 性能可靠
- 拨动式开关, 操作方便
- 开关冷热转换
- 通用于标准导线盒
- 可选择设定范围限制, 利于节约能源

### Product characteristics:

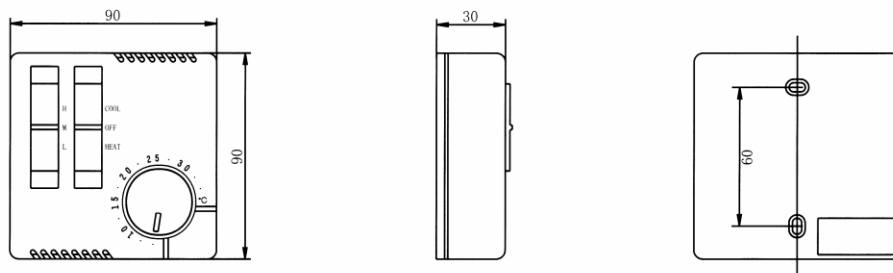
- Beautiful and small externality
- Double metal sheets measure temperature, reliable performance
- Cool-heat transferring by switch
- Standard wire box
- Setting range can be choose to the limited, benefits to save energy.



### ※技术参数 Technology parameters

型号 Type	TR-80	TR-81	TR-82
适用范围 Suitable range	冷暖二管制 Double pipes	冷暖四管制 Four pipes	冷暖控风阀 Valve for wind
外壳材料 Shell material	阻燃ABS Inflaming retarding ABS		
感温材料 Measure temperature material	螺旋型双金属片 Spirality Double metal slices		
调温范围 Adjusting temperature range	5~35°C		
控温精度 Controlled temperature precision	≤1°C		
电器特性 Electrical characteristic	恒温器 Thermostat: 0.5A, 220VAC		
	三速开关 Three-speeds switch: 6 (2) A, 220VAC		
外观颜色 Exterior colour	乳白色外壳, 淡灰色开关 Ivory-white shell, light gray switch		
接线 Wiring	1.5mm <sup>2</sup> 以下 Below		
环境/存储温度限值 Environment/memory limit	0~50°C / -20~55°C, 湿度小于95% Humidity less than 95%		
质量 Weight	140g		

### ※外形尺寸 Exterior dimensions



### ※安装注意事项

- 温控器必须安装在室内离地面约1.5米位置,
- 安装在能反映室内温度的地方。
- 温控器不能安装在直接受阳光照射和冷/暖设备送风口旁或受热源设备辐射的地方。

### Notice to installation

- Temperature controller must be fixed in indoor and the position should be about 1.5 meters away from the floor, the fixing position should can reflect the indoor temperature.
- Temperature controller can not be fixed in the position where the sun shines directly and cool/heat equipmet tuyere side or irradiated by heat source.

## 六十八、温控器TS10(11)系列

### Temperature controller

## TS 系列房间温控器

### Room TS temperature controller

#### ※产品特点:

- 外形新颖美观大方
- 热敏电阻感温，灵敏度高
- 拨动式开关，操作方便
- 开关冷热转换
- 通用于标准导线盒
- 可选择设定范围限制，利于节约能源



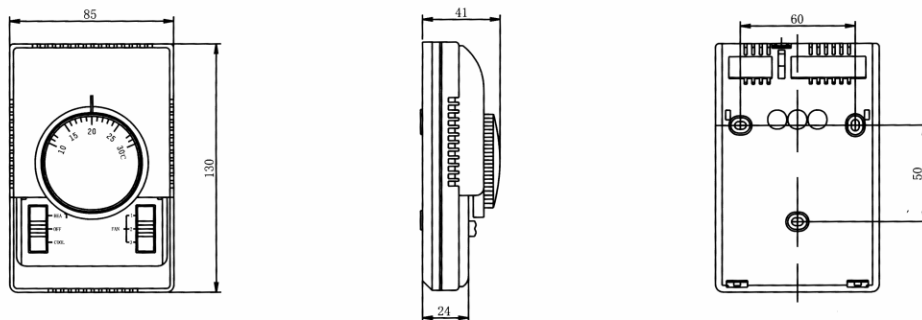
#### Product characteristics:

- Beautiful and neoteric appearance
- Thermal resistor measure temperature, high sensitivity
- Cool-heat transferring switch
- Standard wire box
- Setting range can be choose to the limited, benefits to save energy.

#### ※技术参数 Technology parameters

型号 Type	TS-10	TS-11
适用范围 Suitable range	冷暖二管制 Double pipes	冷暖控风阀 Valve for wind
外壳材料 Shell material	阻燃ABS Inflaming retarding ABS	
感温材料 Measure temperature material	热敏电阻 Thermistor	
调温范围 Adjusting temperature range	5~35℃	
控温精度 Controlled temperature precision	≤1℃	
电器特性 Electrical characteristic	恒温器 Thermostat: 0.5A, 220VAC	
	三速开关 Three-speeds switch: 6 (2) A, 220VAC	
外观颜色 Exterior colour	乳白色 Ivory-white shell	
接线 Wiring	1.5mm <sup>2</sup> 以下Below	
环境/存储温度限值 Environment/memory limit	0~50℃ / -20~55℃, 湿度小于95% Humidity less than 95%	
质量 Weight	180g	

#### ※外形尺寸 Exterior dimensions



#### 安装注意事项 Notice to installation

温控器必须安装在室内离地面约1.5米位置，安装在能反映室内温度的地方。  
 温控器不能安装在直接受阳光照射和冷/暖设备送风口旁或受热源设备辐射的地方。

Temperature controller must be fixed indoor and the position should be about 1.5 meters away from the floor, the fixing position should can reflect the indoor temperature.

Temperature controller can not be fixed on the position where the sun shines directly and cool/heat equipmet tuyere side or irradiated by heat source.



## 六十九、电动阀SW-A 系列

Electric control valve

## 风机盘电动阀

Electric control valve

### ※产品特点:

锻压黄铜阀体  
 不锈钢基座, 铝外壳  
 采用全封闭单向阀带同步电机驱动, 不锈钢弹簧复位  
 电机电压220VAC50/60HZ, 功率6.5W  
 电动阀分为常闭二通型和分流三通型两类  
 适用介质温度为0~94°C  
 阀体可承压2.0MPa(300PS)  
 电机电压及阀体接管形式均可按照客户要求订造

### Product characteristics:

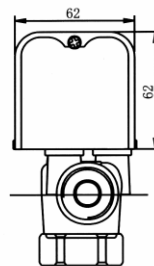
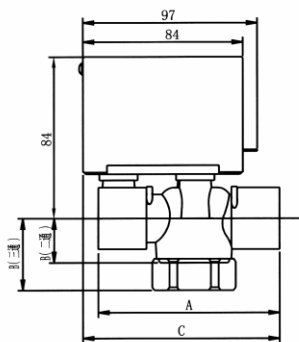
Body is forging brass  
 Foundation bed is stainless steel, crust is aluminum  
 It adopts totally enclosed one-way valve and synchronous motor, stainless steel spring repositions  
 Motor voltage is 220VAC50/60HZ, power is 6.5W  
 The valve can be divided into normal closed two-way and split stream three-way  
 Suitable medium temperature is 0~94°C  
 The body can bear 2.0MPa pressure(300PS)  
 The motor voltage and type of nozzle are available on request

### ※技术参数 Technology parameters

型号 Type	口径 Caliber (inch)	形式 Form	Kv(Cv)值 Value	关闭压力 Close pressure (MPa)
SW-A152	1/2" (15mm)	二通 Two-way	2.2(2.5)	0.2
SW-A153	1/2" (15mm)	三通 Three-way	2.6(3.0)	0.2
SW-A202	3/4" (20mm)	二通 Two-way	3.0(3.5)	0.18
SW-A203	3/4" (20mm)	三通 Three-way	3.4(4.0)	0.18
SW-A252	1" (25mm)	二通 Two-way	6.9(8.0)	0.15
SW-A253	1" (25mm)	三通 Three-way	6.5(7.5)	0.15

### ※外形尺寸 Exterior dimensions

型号 Type	尺寸 Dimension (mm)		
	A	B	B
SW-A152	90	23	94
SW-A153	90	33	94
SW-A202	94	23	103
SW-A203	94	37	103
SW-A252	96	25	105
SW-A253	96	43	105



### ※安装注意事项

安装电动阀时,通常应水平安装,即电机应在阀体上方。  
 常闭二通阀安装时,流向由B端到A端。  
 分流三通阀安装时,应由阀底端流入A, B端流出。阀体B端为常闭端, A端为常开端, 安装水管时, B端接主管道, A端接旁通管道。  
 由于冷水的应用会产生冷凝水, 阀体必须安装在接水盘上。

### Notice to installation

Electric control valve should be fixed horizontally, the motor is upper body  
 The flow direction is from B to A when normal closed two-way, but toward split stream three-way valve, the flow in pours A and pour B. B is normal closed and A is normal opened, when the pipe is fixed, B joints to main pipe, A joint to by-pass pipe  
 Because of condensate water producing, the body must be fixed on receiving water plate.

## 七十、电动阀SW-B 系列

Electric control valve

## 风机盘电动阀

Electric control valve

### ※产品特点:

锻压黄铜阀体  
 不锈钢基座, 铝外壳  
 采用全封闭单向阀滞同步电机驱动, 不锈钢弹簧复位  
 电机电压220VAC50/60HZ, 功率6.5W  
 电动阀分为常闭二通型和分流三通型两类  
 适用介质温度为0~94℃  
 阀体可承压2.0MPa(300PS)  
 电机电压及阀体接管形式均可按照客户要求订造

### Product characteristics:

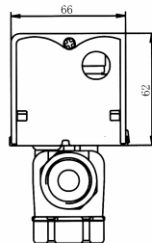
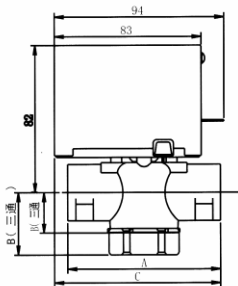
Forging brass body  
 Foundation bed is stainless steel, crust is aluminum  
 It adopts totally enclosed one-way valve and synchronous motor, stainless steel spring repositions  
 Motor voltage is 220VAC50/60HZ, power is 6.5W  
 The valve can be divided into normal closed two-way and split stream three-way  
 Suitable medium temperature is 0~94℃  
 The body can bear 2.0MPa pressure(300PS)  
 The drive and body can be fixed or taken down without any tools  
 The motor voltage and type of nozzle are available on request

### ※技术参数 Technology parameters

型号 Type	通径 Caliber (inch)	形式 Form	Kv(Cv)值 Value	关闭压力 Close pressure (MPa)
SW-B152	1/2" (15mm)	二通 Two-way	2.2(2.5)	0.2
SW-B153	1/2" (15mm)	三通 Three-way	2.6(3.0)	0.2
SW-B202	3/4" (20mm)	二通 Two-way	3.0(3.5)	0.18
SW-B203	3/4" (20mm)	三通 Three-way	3.4(4.0)	0.18
SW-B252	1" (25mm)	二通 Two-way	6.9(8.0)	0.15
SW-B253	1" (25mm)	三通 Three-way	6.5(7.5)	0.15

### ※外形尺寸 Exterior dimensions

型号 Type	尺寸 Dimension (mm)		
	A	B	B
SW-B152	70	23	86
SW-B153	70	33	86
SW-B202	87	23	93
SW-B203	87	37	93
SW-B252	94	25	95
SW-B253	94	43	95



### ※安装注意事项

安装电动阀时,通常应水平安装,即电机应在阀体上方。  
 常闭二通阀安装时,流向由B端到A端  
 分流三通阀安装时,应由阀底端流入A, B端流出。  
 阀体B端为常闭端, A端为常开端, 安装水管时, B端接主管道, A端接旁通管道。由于冷水的应用会产生冷凝水, 阀体必须安装在接水盘上。安装或拆卸驱动器时, 必须先把手动操作杆扳到OPEN处。

### Notice to installation

Electric control valve should be fixed horizontally, the motor is upper body.  
 The flow direction is B to A towards normal closed two-way, but toward split stream three-way valve, the flow inpours A and pour B. B is normal closed and A is normal opened, when the pipe is fixed, B joints to main pipe, A joint to by-pass pipe.  
 Because of condensate water producing, the body must be fixed in receiving water plate.  
 When the driver is fixed or taken down, the manual operation pole must be OPEN position.

## 七十一、电动阀SW-C 系列

Electric control valve

## 风机盘电动阀

Electric control valve

### ※产品特点:

锻压黄铜阀体, 不锈钢阀杆  
 压铸铝基座, 阻燃ABS外壳  
 采用全封闭单向阀带同步电机驱动, 内置不锈钢回程弹簧  
 电机电压220VAC50/60HZ, 功率6.5W  
 电动阀分为常闭二通型和分流三通型两类  
 适宜和介质温度为0~94℃  
 阀体可承压2.0MPa(300PS)  
 驱动器与阀体采用螺纹连接, 可快速拆卸或安装  
 电机电压及阀体接管开式均可按照客户要求订造

### Product characteristics:

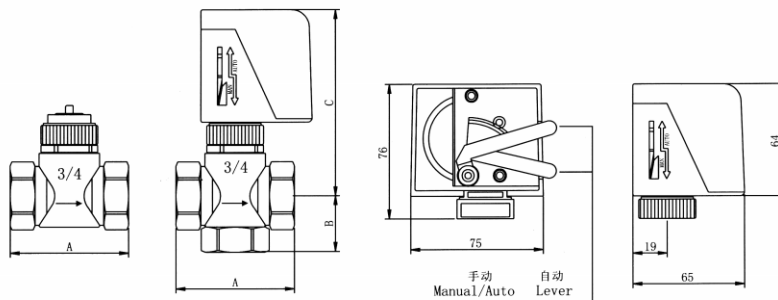
Body is forging brass, spindle is stainless steel  
 Foundation bed is cast aluminium, crust is inflaming retarding ABS  
 It adopts totally enclosed one-way valve and synchronous moter, stainless steel spring for back swing is built-in  
 Moter voltage is 220VAC50/60HZ, power is 6.5W  
 The valve can be devided into normal closed two-way and split stream three-way  
 Suitable medium temperature is 0~94℃  
 The body can bear 2.0MPa pressure(300PS)  
 There is screw connecting between driver and body  
 The moter voltag and type of nozzle are available on request

### ※技术参数 Technology parameters

型号 Type	口径 Caliber (inch)	形式 Form	Kv(Cv)值 Value	关闭压力 Close pressure (MPa)
SW-C152	1/2" (15mm)	二通 Two-way	1.6(1.8)	0.2
SW-C153	1/2" (15mm)	三通 Three-way	1.6(1.8)	0.2
SW-C202	3/4" (20mm)	二通 Two-way	3.4(4.0)	0.13
SW-C203	3/4" (20mm)	三通 Three-way	3.4(4.0)	0.13
SW-C252	1" (25mm)	二通 Two-way	5.5(6.5)	0.10
SW-C253	1" (25mm)	三通 Three-way	5.5(6.5)	0.13

### ※外形尺寸 Exterior dimension

型号 Type	尺寸 Dimension (mm)		
	A	B	B
SW-C152	55	15	98
SW-C153	55	29	98
SW-C202	66	19	102
SW-C203	66	33.5	102
SW-C252	90	24	106
SW-C253	90	37.5	106



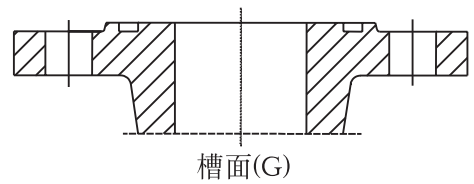
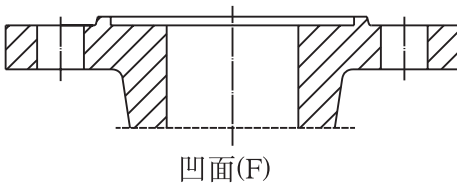
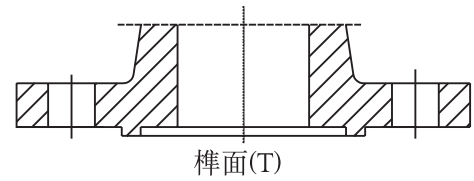
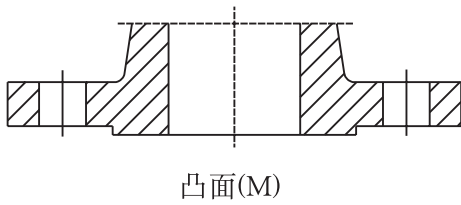
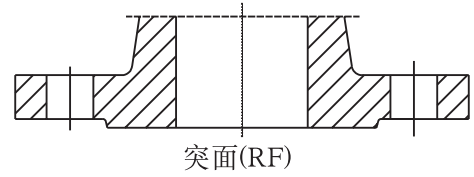
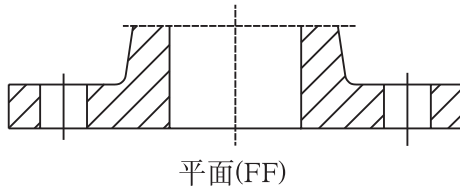
### ※安装注意事项

安装电动阀时, 通常应水平安装, 及电机应在阀体上方。  
 阀体安装时, 流向要与阀体上的箭头一致切勿将驱动器当作杠杆来转动阀体。  
 由于冷水的应用会产生冷凝水, 阀体必须安装在接水盘上。

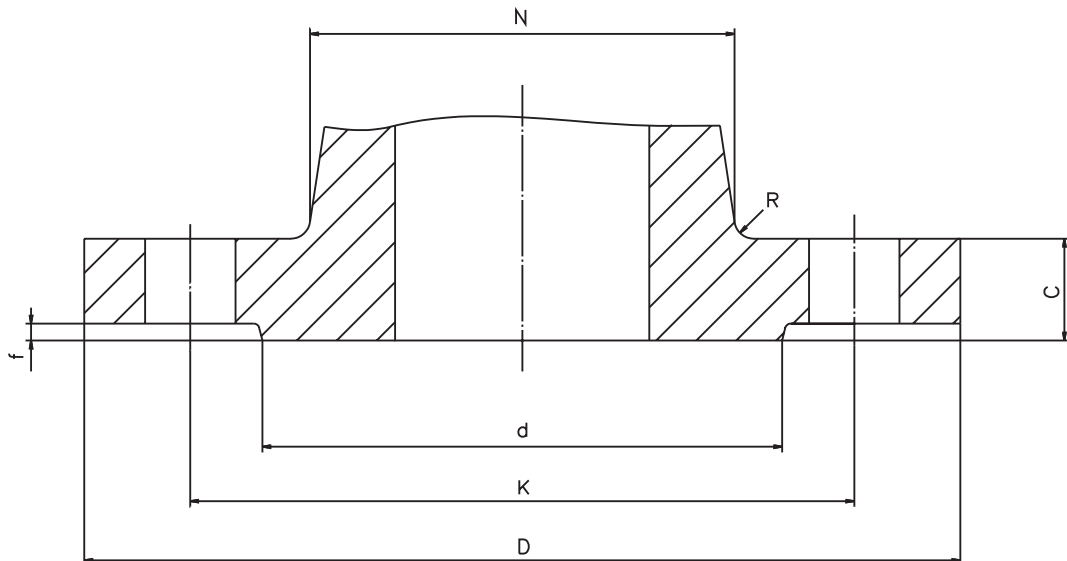
### Notice to installation

Electric control valve should be fixed horizontally, the motor is upper body.  
 When the body is fixed, the flow diroection must corre-sponds with arrowhead.  
 Not regard driver as lever to revolve body  
 Because of condensate water producing, the body must be fixed on receiving water plate.

## 七十二、GB/T9113.1-2000 突面整体钢制管法兰 Raise face integral steel pipe flange



### 密封面形式 Sealing face type



GB/T9113.1-2000

表1 PN0.6MPa(6bar)平面、凸面整体钢制管法兰

Table one PN0.6MPa(6bar)plate, raise face integral steel pipe flange

mm

公称 通径  Nominal dimension  DN	连接尺寸 Connecting dimension					密封面 Sealing face		法兰 厚度  Flange thickness  C	法兰颈 Flange neck	
	法兰 外径  Flange external diameter  D	螺栓孔 中心圆 直径 Bolt hole centre circle diameter K	螺栓 孔径  Bolt hole diameter	螺栓 Bolt		d	f		N	R
				数量 Number n	螺纹 规格 Screw norms					
10	75	50	11	4	M10	33	2	12	20	3
15	80	55	11	4	M10	38	2	12	26	3
20	90	65	11	4	M10	48	2	14	34	4
25	100	75	11	4	M10	58	2	14	44	4
32	120	90	14	4	M12	69	2	16	54	5
40	130	100	14	4	M12	78	2	16	64	5
50	140	110	14	4	M12	88	2	16	74	5
65	160	130	14	4	M12	108	2	16	94	6
80	190	150	18	4	M16	124	2	18	110	6
100	210	170	18	4	M16	144	2	18	130	6
125	240	200	18	8	M16	174	2	18	160	6
150	265	225	18	8	M16	199	2	20	182	8
200	320	280	18	8	M16	254	2	22	238	8
250	375	335	18	12	M16	309	2	24	284	10
300	440	395	22	12	M20	363	2	24	342	10
350	490	445	25.2	12	M20	413	2	24	392	10
400	540	495	22	16	M20	463	2	24	442	10
450	595	550	22	16	M20	518	2	24	494	12
500	645	600	22	20	M20	568	2	26	544	12
600	755	705	26	20	M24	667	2	26	642	12
700	860	810	26	24	M24	772	5	26	746	12
800	975	920	30	24	M27	878	5	26	850	12
900	1075	1020	30	24	M27	978	5	26	950	12
1000	1175	1120	30	28	M27	1078	5	26	1050	12
1200	1405	1340	33	32	M30	1295	5	28	1264	12
1400	1630	1560	36	36	M33	1510	5	32	1480	12
1600	1830	1760	36	40	M33	1710	5	34	1680	12
1800	2045	1970	39	44	M36	1918	5	36	1878	15
2000	2265	2180	42	48	M39	2125	5	38	2082	15



GB/T9113.1-2000

表2 PN1.0MPa(6bar)平面、凸面整体钢制管法兰

Table two PN1.0MPa(10bar)plate, raise face integral steel pipe flange

公称 通径  Nominal dimension  DN	连接尺寸 Connecting dimension					密封面 Sealing face		法兰 厚度  Flange thickness  C	法兰颈 Flange neck	
	法兰 外径  Flange external diameter  D	螺栓孔 中心圆 直径 Bolt hole centre circle diameter K	螺栓 孔径  Bolt hole diameter	螺栓 Bolt		d	f		N	R
				数量 Number  n	螺纹 规格  Screw norms					
10	使用PN4.0MPa法兰尺寸 Use PN4.0MPa flange dimension									
15										
20										
25										
32										
40										
50	使用PN1.6MPa法兰尺寸 Use PN1.6MPa flange dimension									
65										
80										
100										
125										
150										
200	340	295	22	8	M20	266	2	24	246	8
250	395	350	22	12	M20	319	2	26	298	10
300	445	400	22	12	M20	370	2	26	348	10
350	505	460	22	16	M20	429	2	26	408	10
400	565	515	26	16	M24	480	2	26	456	10
450	615	565	26	20	M24	530	2	28	502	12
500	670	620	26	20	M24	582	2	28	559	12
600	780	725	30	20	M27	682	2	34	658	12
700	895	840	30	24	M27	794	5	34	772	12
800	1015	950	33	24	M30	901	5	36	876	12
900	1115	1050	33	28	M30	1001	5	38	976	12
1000	1230	1160	36	28	M33	1112	5	38	1080	12
1200	1455	1380	39	32	M36	1328	5	44	1292	12
1400	1675	1590	42	36	M39	1530	5	48	1496	12
1600	1915	1820	48	40	M45	1750	5	52	1712	12
1800	2115	2020	48	44	M45	1950	5	56	1910	15
2000	2325	2230	48	48	M45	2150	5	60	2120	15



GB/T9113.1-2000

表3 PN1.6MPa(6bar)平面、凸面整体钢制管法兰

Table three PN1.6MPa(10bar)plate, raise face integral steel pipe flange

mm

公称 通径  Nominal dimension  DN	连接尺寸 Connecting dimension					密封面 Sealing face		法兰 厚度  Flange thickness  C	法兰颈 Flange neck	
	法兰 外径  Flange external diameter  D	螺栓孔 中心圆 直径 Bolt hole centre circle diameter K	螺栓 孔径  Bolt hole diameter	螺栓 Bolt		d	f		N	R
				数量 Number  n	螺纹 规格  Screw norms					
10	使用PN4.0MPa法兰尺寸 Use PN4.0MPa flange dimension									
15										
20										
25										
32										
40										
50										
65	185	145	18	4	M16	118	2	20	104	6
80	200	160	18	8	M16	132	2	20	120	6
100	220	180	18	8	M16	156	2	22	140	6
125	250	210	18	8	M16	184	2	22	170	6
150	285	240	22	8	M20	211	2	24	190	8
200	340	295	22	12	M20	266	2	24	246	8
250	405	355	26	12	M24	319	2	26	296	10
300	460	410	26	12	M24	370	2	28	350	10
350	520	470	26	16	M24	429	2	30	410	10
400	580	525	30	16	M27	480	2	32	458	10
450	640	585	30	20	M27	548	2	40	516	12
500	715	650	33	20	M30	609	2	44	576	12
600	840	770	36	20	M33	720	2	54	690	12
700	910	840	36	24	M33	794	5	40	760	12
800	1025	950	39	24	M36	901	5	42	862	12
900	1125	1050	39	28	M36	1001	5	44	962	12
1000	1255	1170	42	28	M39	1112	5	46	1076	12
1200	1485	1390	48	32	M45	1328	5	52	1282	12
1400	1685	1590	48	36	M45	1530	5	58	1482	12
1600	1930	1820	55	40	M52	1750	5	64	1696	12
1800	2130	2020	55	44	M52	1950	5	68	1896	15
2000	2345	2230	60	48	M56	2150	5	70	2100	15

GB/T9113.1-2000

表4 PN2.5MPa(25bar)平面、凸面整体钢制管法兰

Table four PN2.5MPa(25bar)plate, raise face integral steel pipe flange

mm

公称 通径  Nominal dimension  DN	连接尺寸 Connecting dimension					密封面 Sealing face		法兰 厚度  Flange thickness  C	法兰颈 Flange neck	
	法兰 外径  Flange external diameter  D	螺栓孔 中心圆 直径  Bolt hole centre circle diameter K	螺栓 孔径  Bolt hole diameter	螺栓 Bolt		d	f		N	R
				数量  Number  n	螺纹 规格  Screw norms					
10	使用PN4.0MPa法兰尺寸 Use PN4.0MPa flange dimension									
15										
20										
25										
32										
40										
50										
65										
80										
100										
125										
150										
200	360	310	26	12	M24	274	2	30	252	8
250	425	370	30	12	M27	330	2	32	304	10
300	485	430	30	16	M27	389	2	34	364	10
350	555	490	33	16	M30	448	2	38	418	10
400	620	550	36	16	M33	503	2	40	472	10
450	670	600	36	20	M33	548	2	46	520	12
500	730	660	36	20	M33	609	2	48	580	12
600	845	770	39	20	M36	720	2	58	684	12
700	960	875	42	24	M39	820	5	50	780	12
800	1085	990	48	24	M45	928	5	54	882	12
900	1185	1090	48	28	M45	1028	5	58	982	12
1000	1320	1210	55	28	M52	1140	5	62	1086	12
1200	1530	1420	55	32	M52	1350	5	70	1296	12
1400	1755	1640	60	36	M56	1560	5	76	1508	12
1600	1975	1860	60	40	M56	1780	5	84	1726	12
1800	2195	2070	68	44	M64	1985	5	90	1920	15
2000	2425	2300	68	48	M64	2210	5	96	2150	15





GB/T9113.1-2000

表5 PN4.0MPa(40bar)平面、凸面整体钢制管法兰

Table five PN4.0MPa(40bar)plate, raise face integral steel pipe flange

mm

公称 口径  Nominal dimension  DN	连接尺寸 Connecting dimension					密封面 Sealing face		法兰 厚度  Flange thickness  C	法兰颈 Flange neck	
	法兰 外径  Flange external diameter  D	螺栓孔 中心圆 直径  Bolt hole centre circle diameter  K	螺栓 孔径  Bolt hole diameter	螺栓 Bolt		d	f		N	R
				数量 Number  n	螺纹 规格  Screw norms					
10	90	60	14	4	M12	41	2	14	28	3
15	95	65	14	4	M12	46	2	14	32	3
20	105	75	14	4	M12	56	2	16	40	4
25	115	85	14	4	M12	65	2	16	50	4
32	140	100	18	4	M16	76	2	18	60	5
40	150	110	18	4	M16	84	2	18	70	5
50	165	125	18	4	M16	99	2	20	84	5
65	185	145	18	8	M16	118	2	22	104	6
80	200	160	18	8	M16	132	2	24	120	6
100	235	190	22	8	M20	156	2	24	142	6
125	270	220	26	8	M24	184	2	26	162	6
150	300	250	26	8	M24	211	2	28	192	8
200	375	320	30	12	M27	284	2	34	254	8
250	450	385	33	12	M30	345	2	38	312	10
300	515	450	33	16	M30	409	2	42	378	10
350	580	510	36	16	M33	465	2	46	432	10
400	660	585	39	16	M36	535	2	50	498	10
450	685	610	39	20	M36	560	2	57	522	10
500	755	670	42	20	M39	615	2	57	576	12
600	890	795	48	20	M45	735	2	72	686	12

表6 PN6.3MPa(63bar)平面、凸面整体钢制管法兰

Table six PN6.3MPa(63bar)plate, raise face integral steel pipe flange

mm

公称 口径  Nominal dimension  DN	连接尺寸 Connecting dimension					密封面 Sealing face		法兰 厚度  Flange thickness  C	法兰颈 Flange neck	
	法兰 外径  Flange external diameter  D	螺栓孔 中心圆 直径  Bolt hole centre circle diameter  K	螺栓 孔径  Bolt hole diameter	螺栓 Bolt		d	f		N	R
				数量 Number  n	螺纹 规格  Screw norms					
10	100	70	14	4	M12	41	2	20	40	4
15	105	75	14	4	M12	46	2	20	45	4
20	130	90	18	4	M16	56	2	20	50	4
25	140	100	18	4	M16	65	2	24	61	4
32	155	110	22	4	M20	76	2	24	68	4
40	170	125	22	4	M20	84	2	26	82	4
50	180	135	22	4	M20	99	2	26	90	5
65	205	160	22	8	M20	118	2	26	105	5
80	215	170	22	8	M20	132	2	28	122	5
100	250	200	26	8	M24	156	2	30	146	5
125	295	240	30	8	M27	184	2	34	177	6
150	345	280	30	8	M30	211	2	36	204	6
200	415	345	36	12	M33	284	2	42	264	8
250	470	400	36	12	M33	345	2	46	320	8
300	530	460	36	16	M33	409	2	52	378	10
350	600	525	39	16	M36	465	2	56	434	10
400	670	585	42	16	M39	535	2	60	490	12

GB/T9113.1-2000

表7 PN10.0MPa(100bar)平面、凸面整体钢制管法兰

Table seven PN10.0MPa(100bar)plate, raise face integral steel pipe flange

mm

公称 通径  Nominal dimension  DN	连接尺寸 Connecting dimension					密封面 Sealing face		法兰 厚度  Flange thickness  C	法兰颈 Flange neck	
	法兰 外径  Flange external diameter  D	螺栓孔 中心圆 直径  Bolt hole centre circle diameter  K	螺栓 孔径  Bolt hole diameter	螺栓 Bolt		d	f		N	R
				数量 Number  n	螺纹 规格  Screw norms					
10	100	70	14	4	M12	41	2	20	40	4
15	105	75	14	4	M12	46	2	20	45	4
20	130	90	18	4	M16	56	2	20	50	4
25	140	100	18	4	M16	65	2	24	61	4
32	155	110	22	4	M20	76	2	24	68	4
40	170	125	22	4	M20	84	2	26	82	4
50	195	145	26	4	M24	99	2	28	96	4
65	220	170	26	8	M24	118	2	30	113	5
80	230	180	26	8	M24	132	2	32	128	5
100	265	210	30	8	M27	156	2	36	150	5
125	315	250	33	8	M30	184	2	40	185	6
150	355	290	33	8	M30	211	2	44	216	6
200	430	360	36	12	M33	284	2	52	278	8
250	505	430	39	12	M36	345	2	60	340	8
300	585	500	42	16	M39	409	2	68	402	10
350	655	560	48	16	M45	465	2	74	460	10
400	715	620	48	16	M45	535	2	82	518	12

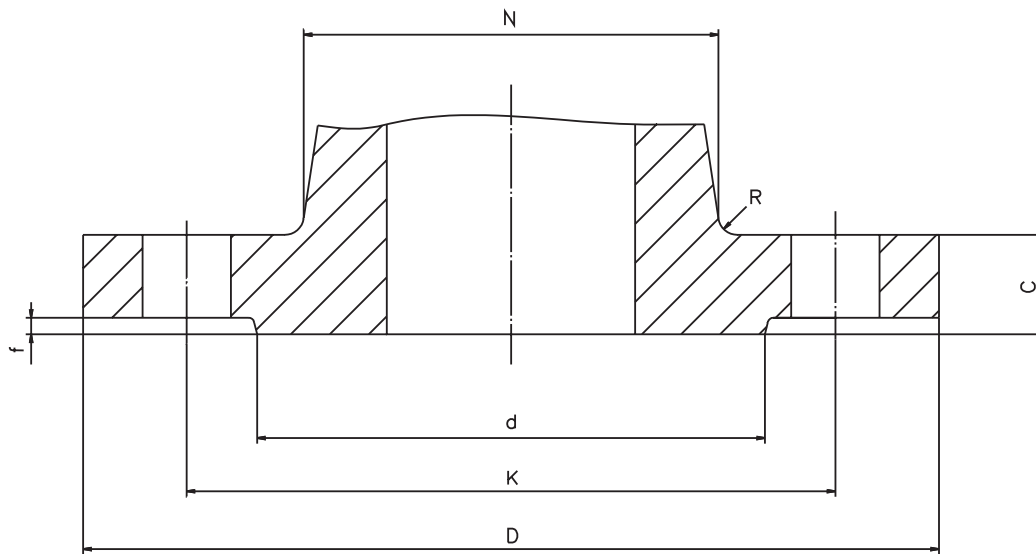
表8 PN16MPa(160bar)平面、凸面整体钢制管法兰

Table eight PN16MPa(160bar)plate, raise face integral steel pipe flange

mm

公称 通径  Nominal dimension  DN	连接尺寸 Connecting dimension					密封面 Sealing face		法兰 厚度  Flange thickness  C	法兰颈 Flange neck	
	法兰 外径  Flange external diameter  D	螺栓孔 中心圆 直径  Bolt hole centre circle diameter  K	螺栓 孔径  Bolt hole diameter	螺栓 Bolt		d	f		N	R
				数量 Number  n	螺纹 规格  Screw norms					
10	100	70	14	4	M12	41	2	24	40	4
15	105	75	14	4	M12	46	2	26	45	4
20	130	90	18	4	M16	56	2	30	50	4
25	140	100	18	4	M16	65	2	32	61	4
32	155	110	22	4	M20	76	2	34	68	4
40	170	125	22	4	M20	84	2	36	82	4
50	195	145	26	4	M24	99	2	38	96	4
65	220	170	26	8	M24	118	2	42	113	5
80	230	180	26	8	M24	132	2	46	128	5
100	265	210	30	8	M27	156	2	52	150	5
125	315	250	33	8	M30	184	2	56	184	6
150	355	290	33	8	M30	211	2	62	224	6
200	430	360	36	12	M33	284	2	66	288	8
250	505	430	39	12	M36	345	2	76	346	8
300	585	500	42	16	M39	409	2	88	414	10

### 七十三、GB4216.3-84 灰铸铁管法兰及垫片 Gray cast iron pipe flange and gasket

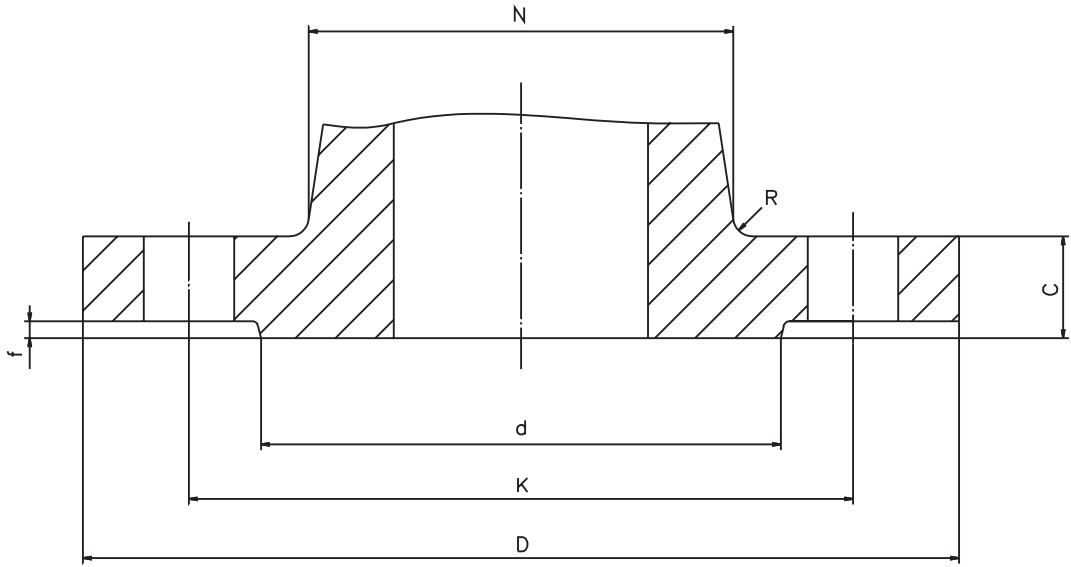


PNO.6MPa GB4216.3-84标准(standard)

公称通径(mm) Nominal dimension	尺寸 Dimension (mm)					
	D	D1	D2	b	f	Z-Φd
10	75	50	35	12	2	4-11
15	80	55	40	12	2	4-11
20	90	65	50	14	2	4-11
25	100	75	60	14	2	4-11
32	120	90	70	16	2	4-13.5
40	130	100	80	16	3	4-13.5
50	140	110	90	16	3	4-13.5
65	160	130	110	16	3	4-13.5
80	190	150	128	18	3	4-17.5
100	210	170	148	18	3	4-17.5
125	240	200	178	20	3	8-17.5
150	265	225	202	20	3	8-17.5
200	320	280	258	22	3	8-17.5
250	375	335	312	24	3	12-17.5
300	440	395	365	24	4	12-22
350	490	445	415	26	4	12-22
400	540	495	465	28	4	16-22
450	595	550	520	28	4	16-22
500	645	600	570	30	4	20-22
600	755	705	670	30	5	20-26
700	860	810	775	32	5	24-26
800	975	920	880	34	5	24-30
900	1075	1020	980	36	5	24-30
1000	1175	1120	1080	36	5	28-30
1200	1405	1340	1245	40	5	32-33
1400	1630	1560	1510	44	5	36-36
1600	1830	1760	1710	48	5	40-36
1800	2045	1970	1920	50	5	44-39
2000	2265	2180	2125	54	5	48-42

PN1.0MPa GB4216.4-84标准(standard)

公称通径(mm) Nominal dimension	尺寸 Dimension (mm)					
	D	D1	D2	b	f	Z-Φd
10	90	60	42	14	2	4-13.5
15	95	65	47	14	2	4-13.5
20	105	75	58	16	2	4-13.5
25	115	85	68	16	2	4-13.5
32	140	100	78	18	2	4-17.5
40	150	110	88	18	3	4-17.5
50	165	125	102	20	3	4-17.5
65	185	145	122	20	3	4-17.5
80	200	160	133	22	3	8-17.5
100	220	180	158	24	3	8-17.5
125	250	210	184	26	3	8-17.5
150	285	240	212	26	3	8-22
200	340	295	268	28	3	8-22
250	395	350	320	28	3	12-22
300	445	400	370	28	4	12-22
350	505	460	430	30	4	16-22
400	565	515	482	32	4	16-22
450	615	565	532	32	4	20-26
500	670	620	585	34	4	20-26
600	780	725	685	36	5	20-30
700	895	840	800	40	5	24-30
800	1015	950	905	44	5	24-33
900	1115	1050	1005	46	5	28-33
1000	1230	1160	1110	50	5	28-36
1200	1455	1380	1330	56	5	32-39
1400	1675	1590	1530	62	5	36-42
1600	1915	1820	1750	68	5	40-48
1800	2115	2020	1950	70	5	44-48
2000	2325	2230	2150	74	5	48-48



PN1.6MPa GB4216.5-84标准(standard)

公称通径(mm) Nominal dimension	尺寸 Dimension (mm)					
	D	D1	D2	b	f	Z-Φd
10	90	60	42	14	2	4-13.5
15	95	65	47	14	2	4-13.5
20	105	75	58	16	2	4-13.5
25	115	85	68	16	2	4-13.5
32	140	100	78	18	2	4-17.5
40	150	110	88	18	3	4-17.5
50	165	125	102	20	3	4-17.5
65	185	145	122	20	3	4-17.5
80	200	160	133	22	3	8-17.5
100	220	180	158	24	3	8-17.5
125	250	210	184	26	3	8-17.5
150	285	240	212	26	3	8-22
200	340	295	268	30	3	12-22
250	405	355	320	32	3	12-26
300	460	410	375	32	4	16-26
350	520	470	435	36	4	16-26
400	580	525	485	38	4	16-30
450	640	585	550	40	4	20-30
500	715	650	608	42	4	20-33
600	840	770	718	48	5	20-36
700	910	840	800	54	5	24-36
800	1025	950	905	58	5	24-39
900	1125	1050	1005	62	5	28-39
1000	1255	1170	1110	66	5	28-42



# 七十四、华通阀门标准缩写

## List of Abbreviations of Huatong Valve

### American Societies 美国学会

AISI	American Iron and Steel Institute	美国钢铁学会
ANSI	American National Standard Institute	美国国家标准学会
API	American Petroleum Institute	美国石油学会
ASME	American Society of Mechanical Engineers	美国机械工程师协会
ASTM	American Society for Testing Materials	美国材料试验协会
AWS	American Welding Society	美国焊接协会
AWWA	American Water Society	美国水道协会
MSS	Manufactures Standardization Society of the Valve and Fitting Industry	美国阀与管件工业制造标准学会
NACE	National Association of Corrosion Engineers	美国防腐工程师学会
SAE	Society of Automotive Engineers	美国汽车工程师学会

### Other Societies 其他学会、标准代号

GB	Chinese National Standard	中国国家标准
CNS	Taiwan Standard	台湾标准
JIS	Japanese Industrial Standard	日本工业标准
BS	British Standards	英国国家标准
DIN	Deutsche Industrie-Norm	德国国家标准
ISO	International Organization for standardization	国际标准化组织
VDE	Verband Deutscher Elektrotechniker	德国电气工程师协会
NF	Normes Francaises	法国国家标准
AS	Australian Standard	澳洲标准

### Measurements 单位

cfm	cubic feet per minute	每分钟多少立方尺
gpm	gallons per minute	每分钟多少加仑
ipm	inches per minute	每分钟多少英寸
psi	pound per square inch	每平方英寸多少磅
bar	1bar=1.02kg/cm <sup>2</sup>	巴(压力单位)
pa	Newton per square meter(Nt/m <sup>2</sup> )	每平方米多少牛顿
kgf/cm <sup>2</sup>	kilogram per square centimeter	公斤力/每平方米公分
atm	Atmospheric pressure	标准大气压

### Metallic Materials 金属材料

AL	Aluminum	铝
BR	Bronze	青铜
DZR	Dezincification Resistant Brass	抗脱锌黄铜
CI	Cast Iron	铸铁
MI	Malleable Iron	展性铸铁
DI	Ductile Iron	延性铸铁
NI	Nickel Iron	镍铁
Cr	Chromium	铬
Mo	Molybdenum	钼
Ni	Nickel Iron	镍
NICV	Nickel Copper Alloy	镍铜合金
HF	Hard Face	钨铬钴合金面
Cr18	Type 410 Stainless Steel	410系不锈钢
SS	Stainless Steel	不锈钢
18-8	Type 304 Stainless Steel	CF8/304系不锈钢
18-8MO	Type 316 Stainless Steel	CF8M/316系不锈钢
CS	Cast Steel	WCB/A105/F11铸钢
FS	Forged Steel	锻铁

### Structure 结构

OS&Y	Outside Screw and Yoke	外螺纹与支架
NRS	Non Rising Stem	暗杆
RS	Rising Stem	明杆
SDNR	Screw-Down Non-Return	螺旋关闭止回阀
WB	Welded Bonnet	焊接式阀帽
SB	Screwed Bonnet	由任式阀帽
UB	Union Bonnet	螺纹式阀帽
BB	Bolt Bonnet	螺栓式阀帽
DD	Double Disk	双阀盘
UC	Union Cap	由任式阀帽
WC	Welded Cap	焊接式阀盖
BC	Bolt Cap	螺栓式阀盖
End Connections		端口连接
BEPP	British Standard Pipe thread, parallel	英国标准规格平行螺纹
BSPT	British Standard Pipe thread, Taper	英国标准规格锥形螺纹
NPT	America National Standard Taper Pipe Threads	美国国家标准管斜螺纹
BW	Butt Welding Ends	对焊端

### Non-Metallic Materials 非金属材料

CR	Chloroprene Neoprene	氯丁橡胶
EPDM	Ethylene-Propylene	乙丙橡胶
FEP	Fluorinated ethylene propylene	氟化乙丙烯
FPM	Fluorous Rubber	氟橡胶
NBR	Nitrile or Buna N Rubber	丁腈橡胶
NR	Natural rubber	天然橡胶
NYL	Nylon	聚酰胺
UR	Polyurethane	聚氨酯
PE	Polyethylene	聚乙烯
PTFE	Polytetrafluoroethylene	聚四氟乙烯
PVC	Polyvinyl Chloride	聚氯乙烯
Rilsan	Super Polyamide	耐纶11型聚酰胺纤维
TPF	Tetrafluoroethylene	四氟乙烯
VITON	Viton	氟素橡胶

### FE Flanges Ends

Flg	Flanges	法兰端
IS	Inside Screw	内螺纹
FF	Flat face	平面
RF	Raising Face	突面
MF	Male and Female	凹凸面
TG	Tenon and Gutter	榫槽面
RTJ	Ring Type Joint	环形接合
SEF	Serrated finish	水纹面
SMF	Smooth finish	平滑面
HEX	Hexagonal	六角
Scr	Screwed Ends	螺纹端
SE	Screwed Ends	螺纹端
SJ	Solder Ends	软焊端
SW	Socket Welding Ends	套焊端

### Ratings 等级

DN	Nominal Pressure	公称直径
PN	Nominal Diameter	公称压力
CWP	Cold Working Pressure	冷工作压力
SWP	Steam Working Pressure	蒸汽工作压力
WOG	Water, Oil, Gas Pressure	水、油、气体压力
WP	Working Pressure	工作压力
S	Steam Pressure	蒸汽压力
SP	Steam Pressure	蒸汽压力

### Miscellaneous 其他

Fig. No.	Figure number	型号
Max.	Maximum	最大
Min.	Minimum	最小
Rpm	Revolutions per minute	每分钟多少转
w/	with	与
GR.	Grade	等级
L(LG)	Length	长度
Wt	Weight	质量/重量
T	Temperature	温度

## 七十五、阀门的选用 Selection of Valves

阀门选定和管道设计时，应注意事项如下：

Selection of valves and design of pipes shall comply with the following principals:

1. 根据阀门使用场所、用途，且了解有关法规、规格、标准、方针、许用认可后既可选用适合各种要求的阀门；  
In terms of places and purposes of valves, the suitable valves can be selected after overall knowing relevant laws, specifications, standards, principals and permission;
2. 确定阀门的工作条件、适用介质、工作压力、介质温度；  
Need to specify the working condition, the applicable medium, the working pressure and the working temperature of valves;
3. 确定与管道相匹配的公称通径: DN (mm);  
Need to specify the nominal diameter to match for the pipe line;
4. 确定与管道相连接方式: 法兰式、内(外)螺纹式、焊接式、对夹式、卡箍式、卡套式等；  
Need to specify the connecting type to the pipe line, including flanged type, inside & outside screwed type, welded type, wafer type, compression cone type and clipped type etc.;
5. 确定阀门的操作方式: 手动、蜗轮动、气动、电动、液动、电磁动、电液动等；  
Need to specify the operating type of the valve, including hand wheel, worm gear, pneumatic actuator, hydraulic actuator, electromagnetic actuator and electromagnetic-hydraulic actuator etc.;
6. 确定阀门的类型: 闸阀、截止阀、节流阀、柱塞阀、球阀、蝶阀、隔膜阀、旋塞阀、止回阀、安全阀、减压阀、疏水阀及其他特种阀；  
Need to specify the type of the valve, including gate valve, globe valve, throttle valve, ball valve, butterfly valve, diaphragm valve, plug valve, check valve, safety valve, reducing valve, steam trap and plunger valve etc.;
7. 确定阀门的使用形式: 开关型、调节型、安全型等；  
Need to specify the using type of the valve, including opening & closing type, adjusting type, safety type etc.;
8. 确定阀门壳体及内件的材料: 灰铁、球铁、碳钢、合金钢、不锈钢、铜合金、铝合金、塑料等；  
Need to specify materials of the body and the trims, including grey iron, ductile iron, carbon steel, alloy steel, stainless steel, alloy copper, aluminum alloy, plastic etc.;
9. 确定阀门的密封性能要求、密封等级或密封泄漏量；  
Need to specify the requirements on seal performance, seal grade and leakage grade;
10. 确定阀门的防护涂层要求、包装要求, 运输要求；  
Need to specify the requirements on the protective coating, packing and transportation;
11. 特殊需要的阀门还应确定: 结构长度、阀门高度、外形尺寸、流阻、排放能力、流量特性、防护等级、防爆性能等参数；  
Need to specify structure length, valve height, overall sizes, flow resistance, discharging ability, flow characteristic, protected grade, anti-explosive performances etc. for the particularly required valves;
12. 确定阀门的安装位置及姿势；  
Need to specify the installed position and the status of the valve.



### 华通阀门精品参数

### HuaTong Valve Parameter

序号	产品名称	产品型号	压力范围 PN(MPa)	口径范围 DN(mm)
1	带冲洗偏心蝶阀	DPX $\frac{3}{9} \frac{43}{73}$ H-10、16、25、40系列	1.0~4.0	50~2000
2	抗磨耐蚀偏心蝶阀	DPM $\frac{3}{9} \frac{43}{73}$ R-10、16、25、40系列	1.0~4.0	50~1200
3	防锈喷塑偏心蝶阀	DPS $\frac{3}{9} \frac{43}{73}$ (X、F、H)-10、16、25、40	1.0~4.0	50~500
4	防锈喷塑闸阀	ZPS $\frac{41}{45}$ (X、T、H)-10、16(可供美标、德标、国标、英标)	1.0~1.6	50~350
5	手柄式	手动法兰式蝶阀	D $\frac{40}{41} \frac{43}{43}$ (S、W、X、F、H、R)-0.5、1、6、10、16	0.05~1.6
6		手动对夹式蝶阀	D $\frac{71}{73}$ (X、J、F、H、R)-6、10、16	0.6~1.6
7	蜗轮螺旋式	手动法兰式蝶阀	D $\frac{2}{3} \frac{40}{41} \frac{43}{43}$ (S、W、X、F、H、R)-0.5、1、6、10、16、25、40	0.05~4.0
8		手动对夹式蝶阀	D $\frac{2}{3} \frac{71}{73}$ (X、J、F、H、R)-6、10、16、25、40	0.6~4.0
9	焊接式金属硬密封蝶阀	DHT363 $\frac{H}{Y} \frac{W}{W}$ -6、10、16、25、40	0.6~4.0	80~2000
10	气动法兰式蝶阀	D6 $\frac{40}{41} \frac{43}{43}$ (S、W、X、F、H、R)-0.5、1、6、10、16、25、40	0.05~4.0	50~1400
11	气动对夹式蝶阀	D6 $\frac{71}{73}$ (X、J、F、H、R)-6、10、16、25、40	0.6~4.0	50~1200
12	气动调节式蝶阀	Z $\frac{SC}{MA}$ W- $\frac{1K}{6B}$ (1、6、10、16)	0.1~1.6	150~1400
13	智能电动调节蝶阀	ZAJD (X、F、R、H、W)-1、6、10、16、25	0.1~1.6	50~400
14	智能电动调节球阀	ZAJQ (F、H)-1、6、10、16、25	0.1~1.6	25~300
15	电动调节式蝶阀	Z $\frac{K}{A}$ JW- $\frac{1}{6}$ S(1、6、10、16)	0.1~1.6	50~2000
16	气、电动调节式蝶阀	6000 $\frac{M}{J}$ -0.25、1、6、10、16	0.025~1.6	150~1400
17	电动法兰式蝶阀	D9 $\frac{40}{41} \frac{43}{43}$ (S、W、X、F、H、R)-0.5、1、6、10、16、25、40	0.05~4.0	50~2000
18	电动对夹式蝶阀	D9 $\frac{71}{73}$ (X、J、F、H、R)-6、10、16、25、40	0.6~4.0	40~2000
19	伸缩式蝶阀	SD $\frac{3}{9} \frac{41}{43}$ (X、F、R、H、W)-1、6、10、16	0.1~1.6	50~2000
20	管网式蝶阀	GD3 $\frac{41}{71}$ (X、J、F、R)-1、6、10、16	0.1~1.6	50~2000
21	蜗轮传动对夹式衬氟蝶阀	D371F-10ZF、CF	1.0	50~1000
22	外螺纹连接不锈钢蝶阀	D21X-10P	1.0~1.6	25~80
23	消防信号蝶阀	DXH373X-16	1.6	50~300
24	手动矩形蝶阀	DJ $\frac{41}{341}$ W-1JC	0.1	规格齐全
25	矩形百叶式调节蝶阀	DJ $\frac{3}{9}$ Z41bw-0.5JC	0.05	规格齐全
26	圆形百叶式调节蝶阀	D $\frac{9}{3}$ Z41bw-0.5JC	0.05	规格齐全
27	蝶式止回阀	DH $\frac{71}{76}$ (X、H、F)-6、10	0.6~1.0	50~1200
28	消声微阻缓闭止回阀	HH44H、X、F-10、16、25	1.0~2.5	100~1200
29	法兰式管道伸缩器	TSX-6、10、16、25	1.0~2.5	80~1000
30	蝶阀专用法兰	平焊、对焊、法兰盖	1.0~4.0	25~2000



# 公司位置图交通指南

## Position of company

### Indication of communication



### Communication



#### 交通

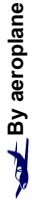
**Shanghai Railway Station:** In south square take Bus No.506 to Pan jia qiao (Hongcao Road), then get off and walk north, 5 minutes' walking.



#### By ship

**Tilanqiao Port:** (1) Take Metro No.4 to Yishan Road, then get off and walk west, 15 minutes' walking.

(2) Take Bus No.22,37,135 to Nanjing East Road or the People Square to exchange Bus No.49 to Shanghai Gymnasium, re-exchange Bus No. 92, 120,122 to Hongcao Road, then get off and walk north, 5 minutes' walking.



#### By aeroplane

**Hongqiao Airport:** Take Bus No. 91,739 to Caobao Road, exchange Bus No. 92,735,92B to Hongcao Road, then get off and walk north, 5 minutes' walking.

**Pudong Airport:** (1) Take Magnetically Levitated Train to Longyang Road, exchange Metro No. 2 to people Square, rechange Metro No.3 to Hongxi Road, then get off and walk west-north, 15 minutes' walking.

(2) Take Bus No.3 to Xu Jia Hui,exchange Bus No.93 to Hongcao Road , then get off and walk north, 5 minutes' walking.



#### Metro:

(1)Take Metro No.1, get off at Caobao Road and walk west-north, 20 minutes' walking.

(2)Take Metro No.3 to the Caoxi Road, then get off and walk west-north, 15 minutes' walking.

(3)Take Metro No.9 to the Guilin Road, then get off and walk west-north, 5 minutes' walking.

**上海火车站:** 南广场乘 506 路公交车到潘家桥站 (虹漕路) 下车往北走, 5 分钟路程。



#### 轮船

**提蓝桥码头:** (1) 乘轨道交通 4 号线到宜山路站下车往西走, 15 分钟路程。

(2) 乘 22, 37, 135 路公交车到南京东路或人民广场换乘 49 路公交车到上海体育馆换乘 92, 120, 122 路公交车到虹漕路下车往北走, 5 分钟路程。



#### 飞机

**虹桥机场:** 乘 91, 739 路公交车到漕宝路换乘 92, 735, 92B 路公交车到虹漕路下车往北走, 5 分钟路程。

**浦东机场:** (1) 乘磁悬浮快车到龙阳路换乘轨道交通 2 号线到人民广场换乘轨道交通 3 号线到虹漕路下车往西北走, 15 分钟路程。

(2) 乘机场 3 号线公交车到徐家汇转乘 93 路公交车到漕虹路下, 5 分钟路程。

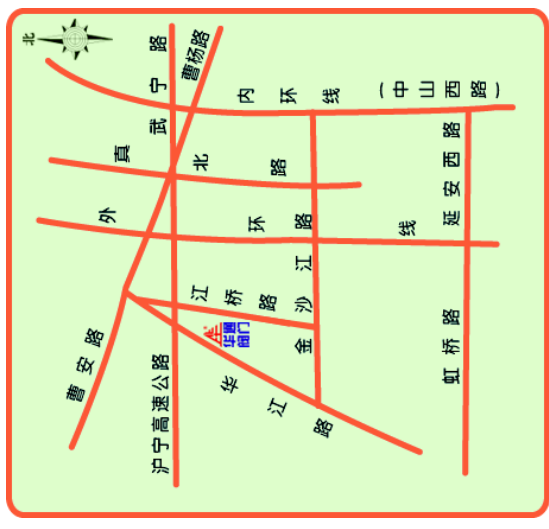
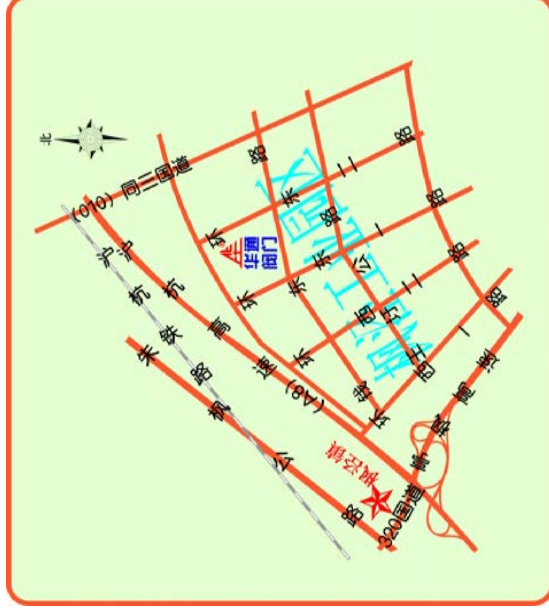


#### 轨道交通:

(1) 轨道 1 号线在漕宝路站下车往西北走 20 分钟路程。

(2) 乘轨道交通 3 号线到漕溪路站下车往西北走 15 分钟路程。

(3) 乘轨道交通 9 号线桂林路站下车往西北走 5 分钟路程。







厂址: 上海市嘉定江桥工业园区江桥路 35 号  
邮编: 201803  
电话: 021-59141010 59141212 59118575 59114750  
传真: 021-59141212  
销售处地址: 上海市闸北区鸿兴路 147 号  
电话: 021-56971166  
传真: 021-56314123  
邮编: 200071  
网址 ://www.huatongvalve.com  
电子邮箱: shhtdfc@online.sh.cn zyh@huatongvalve.com

Add: No.35 Jiangqiao Rd.,Jiangqiao Industry Zone,Jiading  
District,Shanghai,China  
Zip: 201803  
Tel: 021-59141010 & 59141212 & 59118575 & 59114750  
Fax: 021-59141212  
Add of Sales: No.147 Hongxing Rd.,Shanghai, China  
Zip: 200071  
Tel: 021-56971166  
Fax: 021-56314123  
http://www.huatongvalve.com  
E-mail: shhtdfc@online.sh.cn zyh@huatongvalve.com

1 3 3 0 7 3 2 8 - 9

