

自动阀门

水力控制阀·减压阀·调节阀·排气阀·止回阀

自
动
阀
门



全方位的管道解决 方案专家

上海生产园区：上海市嘉定江桥工业园区江桥路35号(201803)

安徽生产园区：安徽省和县经济开发区斯瑞尔工业园

公司电话/传真：电话：+86-21-59141010 7008210037800

传真：+86-21-59141212

公司网址：<http://www.ht-valve.com>

电子邮箱：sales@ht-valve.com

Shanghai Factory: No.35 Jiangqiao Road, Jiangqiao Industry Zone,
Jiading District, Shanghai (201803)

Anhui Factory: SIRUIER industry zone, hexian economy develop zone, Anhui.

Tel and Fax: T: +86-21-59141010 7008210037800

F: +86-21-59141212

URL: <http://www.ht-valve.com>

E-mail: sales@ht-valve.com

上海华通阀门有限公司

1 3 3 0 7 3 2 8 - 9



上海华通阀门有限公司
SHANGHAI HUATONG VALVE CO.,LTD.

立足上海 走向世界

BASE ON SHANGHAI AND GO TO THE WORLD





公司简介

上海华通阀门有限公司是一家通过国家质检总局TS、挪威船级社ISO9001-2000-DNV、美国船级社ABS、美国石油学会API-6D-0459、欧盟CE-0036认证以及澳大利亚SAI-WATERMARK认证，具有注册资金6000万元，自营进出口权的阀门专业制造企业。工厂及行政办公区分别座落于上海嘉定、漕河泾国家高新科技园、安徽和县等地，共占地面积约11万平方米，拥有先进的机械加工设备与完善的理化检验及性能测试设备，员工300多人，其中工程技术人员约占17%，2010年阀门产值超亿元。为适应企业快速发展的需要，公司果敢实施逆势扩张企业战略布局，在安徽和县新建阀门生产基地——上海华通斯瑞尔阀门有限公司，进一步优化企业资源配置，降低生产、经营成本，极大地提高了企业的综合实力和成长潜力，使公司稳步跨入国内阀门行业先进制造企业之列。

依照“完善体系、科学管理、产品一流、顾客满意”的质量方针建立和完善了质保体系，为全面提高企业综合竞争力、公司每年斥巨资用于新产品创新研发与员工教育培训，并先后与上海交大、上海大学、合肥通用机械研究院、上海通用机械研究所、台湾健峰等科研院所建立长期的产、学、研联合体和员工培训教育合作基地。严格按照中国GB、英国BS、美国ANSI、API、AWWA、MSS、德国DIN、日本JIN、澳洲AS等标准设计、生产各种材质的“上华”牌蝶阀、闸阀、球阀、截止阀、止回阀、水力控制阀等系列产品。驱动操作方式有手柄、蜗轮蜗杆手动、气动、电动、液动、电液动等方式可供选择。根据产品使用工况的要求，阀门材料和密封结构可实现多种优化配置，以满足用户对产品的不同需求，使阀门在各种压力、温度、工况及介质条件下确保其密封性、抗磨性、耐蚀性和安全性。公司自主研发的“上华”牌双向密封高性能蝶阀、高耐磨蝶阀、高耐磨闸阀、轴流式止回阀、快关（开）带锁闭功能调节阀等新产品被广泛应用于电力、冶金、石油、化工、轻纺、环保、城建、造船、食品医药和国防科研等领域，填补国内长期无法满足的需求空缺，并出口欧美、澳洲、中东等国际市场深受用户好评。

辉煌成就铸造诸多荣誉。产品通过国家质量监督机构的性能测试，获得国家特种设备制造许可证，被评为建设部和国家城镇供水协会的推荐产品，并多次获得国家、上海市优质产品奖，及“重合同、守信用”单位和“质量免检单位”称号。现为中国石油天然气集团公司（CNPC）、中国石油化工集团股份有限公司（Sinopec Corp）、中国化工装备总公司（CNCE）、中国电力物资（CWEME）阀门网络供应的成员单位，荣获蝶阀、闸阀、止回阀、球阀等专利证书。公司是国家阀门标准化委员单位，曾主持、参与起草了国家GB/T12238-2008、GB/T21386-2008、GB/T21387-2008、GB/T24924-2010的蝶阀、止回阀、减压阀、闸阀等多项国家阀门标准。

公司始终遵循“质量第一、用户满意”的经营宗旨。公司设有安装调试、技术培训、产品维修和零配件供应的专门服务机构，承接非标及引进阀门的设计制造，竭诚为用户提供高科技的优质产品和满意的服务。

为拓展市场和提升企业发展的需要，公司正不断扩大投资规模，海纳各方英才，热忱欢迎国内外客户前来洽谈惠顾和指导工作，建立业务和经济技术方面的广泛合作。

Brief Introduction

Shanghai Huatong Valve Co., Ltd. is a professional valve manufacturer with independent import&export rights, The company has 60 million yuan of registered capital and has passed the certificate of AQSIQ TS, ISO9001-2000-DNV, ABS, API-6D-0459, CE-0036 and SAI-WATERMARK. The plant and the administration area are respectively located in Shanghai Jiading district, Shanghai Caohejing national Hi-Tech developing park and Hexian Anhui province, totally covering an area of about 110,000 square meters.

The plant is equipped with the advanced mechanical facilities and the inspecting apparatus, there are more than three hundred employees and among them there are about seventeen percent of technicians and engineers. In 2010, the output value has exceeded one hundred million RMB. In order to meet the needs of rapid development of enterprise, the company determined to implement the strategic layout of enlarging investment against the situation, set up a new product base in Hexian Anhui province —— Shanghai Huatong Sreal Valve Co.,Ltd. The move bring further optimization of the allocation resources, reduce production and operating costs, greatly improve the overall strength and development potential, which make the company firmly enter into the team of advanced manufacturing companies in domestic valve industry.

Guided under the quality policy "Perfect System, Science Management, Top Product, Customer Satisfaction", the company has set up and improved the quality management system. In order to enhance products competitive and improve products technical grade, the company spending huge sums for new product innovation and staff education training ,and it has established relationship with Shanghai University, Hefei General Machine Research Institute, Shanghai General Machine Research Institute and Taiwan Jianfeng Vigor Management Technology Association for a long-term cooperation including industry, academic, research and staff training and education consortium.

Accordance with GB, BS, ANSI, API, AWWA, MSS, DIN, JIS and AS standards strictly, the company manufacture the ranges of "SHANGHUA" brand valves products, including butterfly valves, gate valves, ball valves, globe valves, check valves, water power control valve etc.. And there are hand wheel, worm gear, pneumatic, electric ,hydraulic and electro-hydraulic actuator available for driving mode.

Materials, seal structures and driving modes can be optimized to be incorporated to satisfy clients' different demands on valves, ensuring its performances on sealing, abrasion resistance, corrosion resistance and safety under conditions of different pressure, temperature and medium.

The company has independently developed many new products upon requests of markets, such as Bi-directional high performance butterfly valve, high anti-abrasion butterfly valve, axial flow type check valve and quick shut on/off regulating valve with lock, and these innovative products are widely used in the industries of petrochemical, chemistry, iron and steel, power station, papermaking, pharmacy, and city construction etc., they have filled with the long-term insatiable vacancies in demestic demand ,while exporting to Europe, Australia, Middle East and other international markets. they receive many praise by users.

Honors depends on brilliant achievements. The company's products pass through the performance testing of National quality supervision agency, access to the national special equipment manufacturing license, and was awarded as the recommended products by Ministry of Construction and the National Water Supply Association., It has also won several national and Shanghai's quality award, "heavy contract, keep promise" unit and "quality non-inspection unit". And possessed many patents on butterfly valve, gate valve, check valve and ball valve, and was involved in presiding and drafting national valve standards of butterfly valve, check valve, pressure reducing valve and gate valve (GB/T12238-2008, GB/T21386-2008, GB/T21387-2008, GB/T24924-2010). Now the company has become a network member valve supplier for CNPC, Sinopec CNCE, CWEME.

The company always follow the business rule of "quality first, customer satisfaction", also has established the service department of installation and inspection, technical training, product maintenance and spare parts supply. We will undertake non-standard and the introduction of valve design and manufacturing, dedicated to providing high quality products and satisfactory service to clients.

In order to develop market and improve enterprise developing demands, the company will continue to enlarge investment and recruit widely. Sincerely welcome domestic and oversea clients to come for negotiation and guidance in order to establish the business relationship and seeking for the wide economic and technical cooperation.

资质证书





序号 NO.	产品型号 Type	页次 Page
1	水力控制阀简述 Brief introduction of waterpower control valve	1
2	SHT100X-10.16.25 法兰式遥控浮球阀 Flange remote control float ball valve	3
3	SHT200X-10.16.25 法兰式减压阀 Flange reducing valve	4
4	SHT300X-10.16.25 法兰式缓闭止回阀 Flange slow close check valve	5
5	SHT400X-10.16.25 法兰式流量控制阀 Flange flow control valve	6
6	SHT500X-10.16.25 法兰式泄压/持压阀 Flange atmospheric/keeping pressure valve	7
7	SHT600X-10.16.25 法兰式水力电动控制阀 Flange waterpower and electric control valve	8
8	SHT700X-10.16.25 法兰式水泵控制阀 Flange water pump control valve	9
9	SHT900X-10.16.25 法兰式紧急关闭阀 Flange emergency closing valve	10
10	SHT100D-10.16.25 法兰式定水位阀 Flange water lever control valve	11
11	SHT100A-16 角型定水位阀 Angle type water lever control valve	12
12	SHT100S-10.16 角型隔膜式排泥阀 Angle type dissepiment mud valve	13
13	SJ744X、SJ644X-10 液压气动角式快开排泥阀 Hydraulic、pneumatic angle type quick mud valve	14
14	SJM744X、SJM644X-10 膜片式液压气动快开阀 Diaphragm hydraulic、pneumatic quick open mud valve	15
15	多功能水力控制阀简述 Brief introduction of multifunctional waterpower control valve	16
16	SJD745X-10.16.25 水泵控制阀 Water pump control valve	18
17	SF745X-10.16.25 遥控浮球阀 Remote control float ball valve	19
18	SYX741X-10.16.25 可调式减压阀 Adjustable reducing valve	20
19	SAX742X-10.16.25 安全泄压/持压阀 Atmospheric/pressure retaining valve	21
20	SJ745X-10.16.25 电动遥控阀 Electric remote control valve	22
21	SFY46T-16.25 组合式减压阀 Assembly reducing valve	23
22	Y42X-16.25.40.60.100 弹簧活塞式减压阀 Spring plunger reducing valve	24
23	Y43H-16.25.40.64 蒸汽减压阀 Vapour reducing valve	25

序号 NO.	产品型号 Type	页次 Page
24	YK43X-16.25.40.64 气体减压阀 Air reducing valve	26
25	YB43X-16.25 比例式减压阀 Proportional reducing valve	28
26	YP43X-10.16T(P) 比例式减压阀 Proportional reducing valve	29
27	YP43(13)-10.16T、P(B)型 短系列比例式减压阀 Short series proportional reducing valve	30
28	Y110、Y410、Y416、Y425-10.16.25 减压稳压阀 Reducing/stable pressure valve	31
29	YHT200P-10.16T 内螺纹减压阀 Inside screw reducing valve	32
30	YZ11X、YG11X、YG41X-16.25T(P) 直接作用减压阀 Reducing valve for direct action	33
31	T40H-16.25.40.64.100 给水回转式调节阀 Water supply rotary regulating valve	34
32	ZYC-16-H3T 自立式压差控制阀 Different pressure control valve for automation	35
33	T(S)40H-10.16.25 手动调节阀、节流阀 Manual and self-locking manual regulating valve	36
34	KPF-16 法兰式平衡阀 Flange balanced valve	37
35	SP15(45)-10.16 数字锁定平衡阀 Number lock balanced valve	38
36	HT-ARVX-10.16 微量排气阀 Small exhaust valve	39
37	HT/CARX-10.16 复合式排气阀 Complex exhaust valve	40
38	P41(42)X-10 单口快速排气阀 Single mouth quick exhaust valve	41
39	KP-10 单口快速排气阀 Single mouth quick exhaust valve	42
40	QB2-10 双口自动排气阀 Double mouths automatic exhaust valve	43
41	YGL41(11)H-10.16.25 Y型过滤器 Y type filter	44
42	YSTF-10.16 Y型伸缩拉杆式过滤器 Flexible drawing lever Y type filter	45
43	SRB-10.16 篮式过滤器 Basket filter	46
44	ZPG-10.16 自动反冲洗排污过滤器 Automatic opposed wash and blow-down filter	47
45	H41H-16.25.40.64.100 升降式止回阀 Lift type check valve	48
46	HC41X-10.16.25 (A型) 节能梭式止回阀 (A type) Saving energy shuttle check valve	49



序号 NO.	产品型号 Type	页次 Page
47	HC41H(X)-10.16.25 (B型) 消声止回阀 (B type) Noise elimination check valve	50
48	HC42H.T.X-10.16.25.40.63.100 轴流式止回阀 Check valve for calm sound	51
49	HQ41X-10.16 无磨损球形止回阀 Non abrasion ball check valve	52
50	HQ44(45)X-10.16 无磨损球形止回阀 Non abrasion ball check valve	53
51	HC44X-10.16.25(SFCV) 橡胶瓣止回阀 Check valve for rubber disc	54
52	HH44T(X)-10.16 旋启式止回阀 Check valve for tiny damping and noise elimination	55
53	HH44X(H.T)-10.16.25 旋启式止回阀 Swing slow close check valve	56
54	H44H-16C.25.40.64.100.160 钢制旋启式止回阀 Steel swing check valve	57
55	HH46 (48.49) H(X)-10.16.25 微阻缓闭蝶式止回阀 Tiny damping butterfly check valve	58
56	HH47H(X)-10.16.25 蝶式缓闭止回阀(管力阀) Slow close butterfly check valve (Automatic Valve)	59
57	HHT947H(Y)-10C.16C.25 电液控多功能蝶式止回阀 Buffering butterfly check valve	60
58	H71H(W)-16.25.40 对夹升降式止回阀 Wafer lift type check valve	61
59	H74H(X)-10.16.25.40 对夹圆片式止回阀 Wafer circle check valve	62
60	DH76H(X)-10.16 对夹式双瓣止回阀 Double discs water check valve	63
61	H77H(X.W.Y)-10.16.25.40.64 对夹式止回阀 Wafer check valve	64
62	ZYA8000(9000)-16.25 气囊式水锤吸纳器 Gasbag water hammer absorber	65
63	FA49H-10.16 防爆波安全阀 Avoiding wave safety valve	66
64	GB/T 9113-2010 突面整体钢制管法兰 Raise face integral steel pipe flange	67
65	GB/T 17241.6-1998 铸铁管法兰 Cast iron pipe flange	75
66	HG/T 20592-2009 整体钢制管法兰 Integral steel pipe flange	77
67	JB/T 79.1-1994 凸面整体铸钢管法兰 Raise face integral steel pipe flange	81
68	阀门驱动装置的选用 Selection of valve driving device	84
69	阀门的选用 Selection of valves	85
70	国内外标准 China & Foreign Standard	86
71	阀门标准缩写 General Abbreviations of Huatong Valve	87

一、水力控制阀简述

Brief introduction of waterpower control valve

※结构特点

水力控制阀一般分为隔膜型和活塞型两大类，两者工作原理相同，它由一个主阀(如图1、2)及其外装的针阀、导阀、导管和压力表等组合而成。并配合使用目的、功能及场所的不同而演变成遥控浮球阀、减压阀、缓闭止回阀、流量控制阀、泄压/持压阀、水力电动控制阀、定水位阀、水泵控制阀、紧急关闭阀等。

Structure characteristics

The control valve for waterpower can be classified into the diaphragm type and the plunger type, which are of the same working principle. It is made up of a master valve (figure 1, 2) and an outside needle valve, pilot valve, pipe and pressure gauge etc. It also can be categorized into float valve for remote control, reducing valve, slow close check valve, flow control valve, releasing pressure/keeping pressure valve, electric control valve for waterpower, water level valve, water pump control valve, emergency shutoff valve according to the using purposes and functions as well as the places in service.

※动作原理

水力控制阀以上下游压力差 ΔP 为动力，实行自动调节，从而使主阀阀盘完全开启或同时关闭，或处于调节状态。

Working principles

Control valve for waterpower can be adjusted automatically depending on the different pressure between upriver and downstream, making the disc of the master valve open completely or close fully at the same time, or valve in adjusting condition.

全闭状态：当主阀进口端水压分别进入阀体及控制室，且主阀外部之球阀同时关闭，此时主阀处于全闭状态；

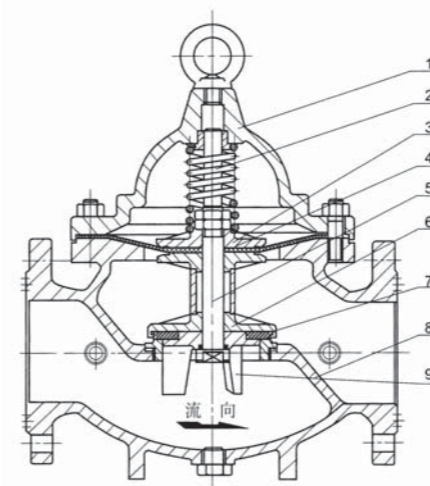
Full cut-off condition: when inlet pressure enters body and control room, meanwhile the exterior ball valve of the master valve closes, so the master valve shall be in condition of full cut-off;

全开状态：当主阀外部球阀全开后，此时控制室内水压全部被排到大气或下游低压区时，主阀呈全开状态；

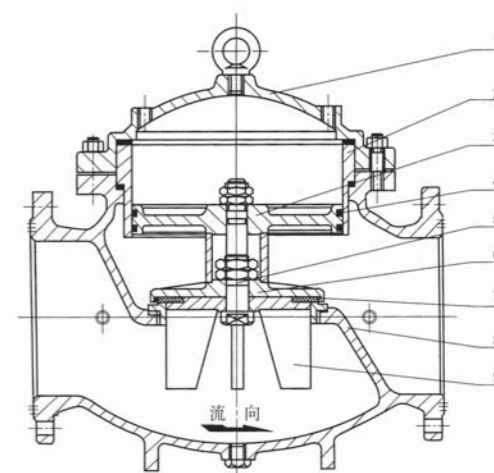
Full opening condition: After the exterior ball valve of master valve opens completely, the control room pressure is let out to the air or the downstream lower pressure area to make the master valve be in condition of full opening.

浮动状态：调节主阀外部之球阀开度，使水流经过针阀与球阀之间水流达到平衡，此时主阀处于浮动状态。

Floating condition: the open-close degree of adjust the exterior ball valve of the master valve, make the flow through needle valve and ball valve balance, at this time the master valve shall be in floating condition.



图一 隔膜型主阀
Fig. 1 Diaphragm type master valve



图二 活塞型主阀
Fig. 2 Plunger type master valve

※主要零件材料 Main part materials

编号 Code		零件名称 Name	材质 Material	编号 Code		零件名称 Name	材质 Material
隔膜型 Dissepiment	活塞型 Plunger			隔膜型 Dissepiment	活塞型 Plunger		
1	1	阀盖 Bonnet	铸铁、球铁、碳钢、不锈钢 Cast iron, Carbon and stainless steel, nodular cast iron	4	4	O型圈 O-ring	丁腈橡胶 NBR
2		压缩弹簧 Compression spring	硅锰钢 Silicon-Manganese steel	5	5	阀杆 Spindle	不锈钢 Stainless steel
	2	缸套 Cylinder block	不锈钢 Stainless steel	6	6	阀盘 Valve plate	球铁、青铜 Nodular cast iron, Bronze
3		膜片压板 Hold down plate	丁腈橡胶 NBR	7	7	密封垫 Gland	丁腈橡胶 NBR
	3	活塞 Plunger	球铁、青铜 Nodular cast iron, Bronze	8	8	阀体 Body	铸铁、球铁、碳钢、不锈钢 Cast iron, Carbon and stainless steel, nodular cast iron
4		膜片 Dissepiment	丁腈橡胶 NBR	9	9	密封垫压板 Gland hold down plate	青铜 Bronze



二、水力控制阀SHT100X-10.16.25系列
Waterpower control valve

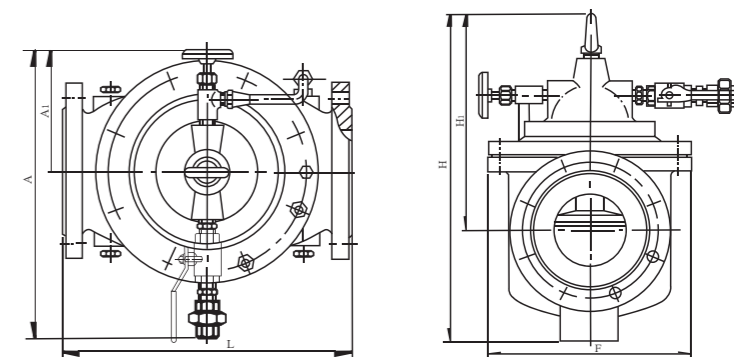
法兰式遥控浮球阀
Flange remote control float ball valve

※结构及用途

该阀由主阀、针阀、球阀与浮球阀等组成。100X遥控浮球阀由小浮球导阀操作，液压控制主阀直接动作。主阀通道全流量设计，水头压力损失小。主阀体与控制导阀可组合或分离安装。液位控制准确，水位不受压力波动干扰，开闭紧密不漏水，浮球灵活，维护保养简单。适用于工业、高层建筑中的水箱、水池、水塔中的自动供水系统。

Structure and purpose

The valve is made up of master valve, needle valve, ball valve and float ball valve etc. The remote control ball valve is operated by small ball float pilot valve, and hydraulic pressure controls the master valve action directly. The gangway of master valve is designed for full flow, the pressure loss is little. The master valve and the control pilot valve can be fixed for assembly or dismantle. The fluid level is also accurately controlled, and the pressure fluctuation will not interfere the water lever. There will be no any leakage when shut off, the float is flexible, the maintenance is easy. The valve can be applied to the automatic system of industrial water supply, cistern and pool in high building, and automatic water supply system of water tower.



※主要技术参数 Main technology parameters

公称压力 Nominal prerssure	PN10	PN16	PN25
壳体试验压力(MPa) Shell test pressure	1.5	2.4	3.75
密封试验压力(MPa) Seal test pressure	1.1	1.76	2.75
介质温度 Medium temperature	≤80℃		
最低动作压力(MPa) Lowest acting pressure	P1≥0.07		
适用介质 Suitable medium	水(Water)		
隔膜型 Type of dissepiment	DN20~DN450		
活塞型 Type of plunger	DN350~DN800		

※主要外形尺寸 Main exterior dimensions

公称通径(DN) Nominal dimension	尺寸 Dimension (mm)					
	L	A1	L	H1	H	F
20	150	130	325	179	212	116
25	160	130	325	179	212	116
32	180	130	325	179	212	116
40	200	140	335	210	265	168
50	203	140	335	210	265	168
65	216	140	335	215	310	180
80	241	145	345	245	350	210
100	292	155	365	302	460	284
125	330	165	385	365	520	310
150	356	180	410	415	570	370
200	495	205	465	510	840	463
250	622	225	505	560	890	525
300	698	245	545	658	1030	625
350	787	275	595	696	1090	705
400	914	285	625	735	1150	778
450	978	285	625	735	1150	778
500	978	410	780	750	1110	690
600	1230	456	888	850	1286	785
700	1650	470	932	865	1460	980
800	1750	470	932	975	1640	1050

法兰连接尺寸：铁制阀门按GB/T 17241.6-1998标准，钢制阀门按GB/T 9113-2010(RF)标准。
Flange connecting dimension: The iron valve accords to GB/T 17241.6-1998 standard and the steel valve to GB/T 9113-2010(RF)standard.

三、水力控制阀SHT200X-10.16.25系列 Waterpower control valve

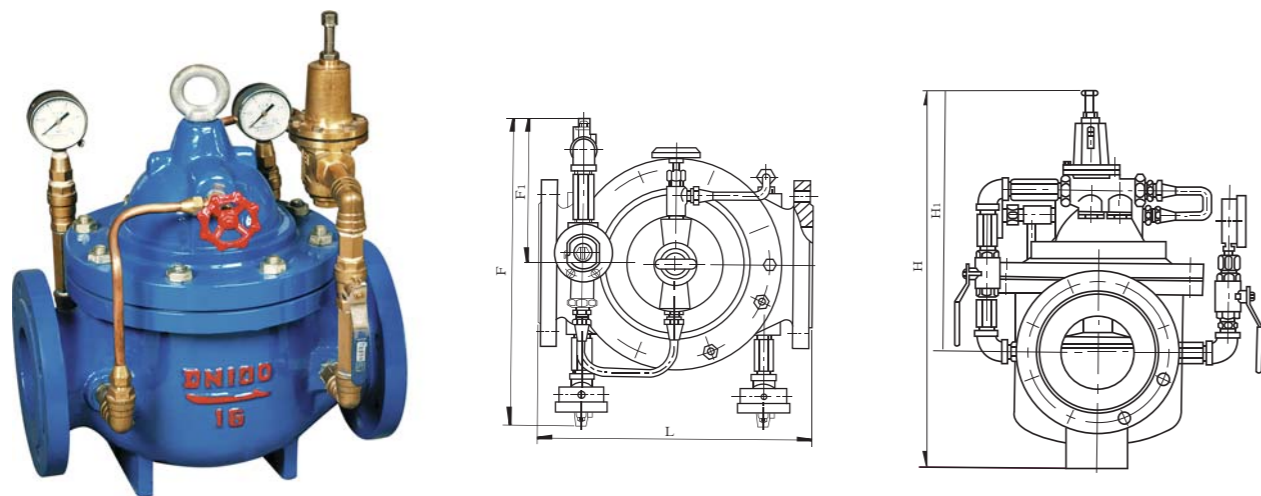
法兰式减压阀 Flange reducing valve

※结构及用途

该阀由主阀、导阀、球阀和压力表等组成。减压阀主要控制主阀的固定出口压力，主阀出口压力不因进口压力变化而变化，也不因主阀出口流量的变化而改变其出口压力。适用于工业给水、消防供水及生活用水管网系统。

Structure and purpose

The valve is made up of master valve, pilot valve, ball valve and pressure gauge etc. Reducing valve mainly controls the changeless outlet pressure of master valve. The outlet pressure is not changed following the inlet pressure and the outlet flow. It is suitable for the pipe network system of industrial water supply, water supply against fire and living water.



※主要技术参数 Main technology parameters ※主要外形尺寸 Main exterior dimensions

公称压力 Nominal pressure	PN10	PN16	PN25	公称通径(DN) Nominal dimension	尺寸 Dimension (mm)				
					L	F1	F	H1	H
壳体试验压力(MPa) Shell test pressure	1.5	2.4	3.75	20	150	136	292	179	212
				25	160	136	292	179	212
密封试验压力(MPa) Seal test pressure	1.1	1.76	2.75	32	180	136	292	179	212
				40	200	155	330	210	265
最大入口压力(MPa) Largest inlet pressure	1.0	1.6	2.5	50	203	155	330	210	265
				65	216	165	350	215	310
出口压力可调节的范围(MPa) The adjustable range of outlet pressure	0.07-0.08	0.1-1.2	0.15-1.6	80	241	175	365	245	350
				100	292	195	410	302	460
介质温度 Medium temperature	≤80℃			125	330	220	455	365	520
				150	356	230	475	415	570
适用介质 Suitable medium	水(Water)			200	495	255	530	510	840
				250	622	300	326	560	890
隔膜型 Type of dissepiment	DN20~DN450			300	698	340	700	658	1030
				350	787	415	840	696	1090
活塞型 Type of plunger	DN350~DN800			400	914	430	880	735	1150
				450	978	430	880	735	1150
				500	978	410	780	750	1110
				600	1230	456	888	850	1286
				700	1650	560	1130	865	1460
				800	1750	610	1230	975	1640

法兰连接尺寸：铁制阀门按GB/T 17241.6-1998标准，钢制阀门按GB/T 9113-2010(RF)标准。
Flange connecting dimension: The iron valve accords to GB/T 17241.6-1998 standard and the steel valve to GB/T 9113-2010(RF)standard.

四、水力控制阀SHT300X-10.16.25系列 Waterpower control valve

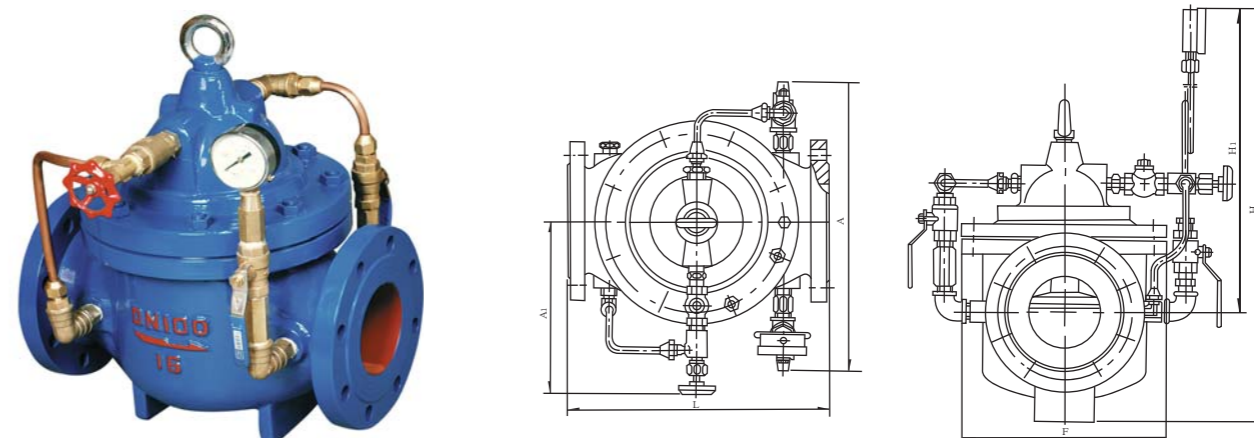
法兰式缓闭止回阀 Flange slow close check valve

※结构及用途

该阀由主阀、单向阀、针阀、球阀和压力表等组成，缓闭式止回阀能控制开启和关闭的速度，可配合现场调至最佳工作状态，能完全消除水锤现象达到缓闭消声的效果。适用于工矿企业、高层建筑给排水系统中，减少水锤及水击现象产生，以达到安全关闭的效果。

Structure and purpose

The valve is made up of master valve, one way valve, needle valve, ball valve and pressure gauge etc. The slow close check valve can control the open-close speed and achieve the best working state according to the actual condition, and completely eliminates water hammer phenomenon, so it arrives the result of slow close and sound elimination. It is applied to water supply and drainage system in the industrial, mining enterprises and skyscrapers. Because of few water hammer phenomenons, it shuts off safely.



※主要技术参数 Main technology parameters ※主要外形尺寸 Main exterior dimensions

公称压力 Nominal pressure	PN10	PN16	PN25	公称通径(DN) Nominal dimension	尺寸 Dimension (mm)					
					L	A1	L	H1	H	F
壳体试验压力(MPa) Shell test pressure	1.5	2.4	3.75	20	150	200	282	106	212	116
				25	160	200	282	106	212	116
密封试验压力(MPa) Seal test pressure	1.1	1.76	2.75	32	180	200	282	106	212	116
				40	200	210	320	137	265	168
介质温度 Medium temperature	≤80℃			50	203	210	320	137	265	168
				65	216	215	330	145	310	180
最低动作压力(MPa) Lowest acting pressure	P1≥0.07			80	241	220	330	178	350	210
				100	292	230	410	232	460	284
适用介质 Suitable medium	水(Water)			125	330	245	420	286	520	310
				150	356	250	420	318	570	370
隔膜型 Type of dissepiment	DN20~DN450			200	495	280	430	413	840	463
				250	622	300	450	502	890	525
活塞型 Type of plunger	DN350~DN800			300	698	320	460	600	1030	625
				350	787	340	470	638	1090	705
				400	914	360	480	677	1150	778
				450	978	360	480	677	1150	778
				500	978	410	780	750	1110	690
				600	1230	455	888	850	1286	785
				700	1650	495	730	865	1460	980
				800	1750	530	830	925	1640	1050

法兰连接尺寸：铁制阀门按GB/T 17241.6-1998标准，钢制阀门按GB/T 9113-2010(RF)标准。
Flange connecting dimension: The iron valve accords to GB/T 17241.6-1998 standard and the steel valve to GB/T 9113-2010(RF)standard.

五、水力控制阀SHT400X-10.16.25系列 Waterpower control valve

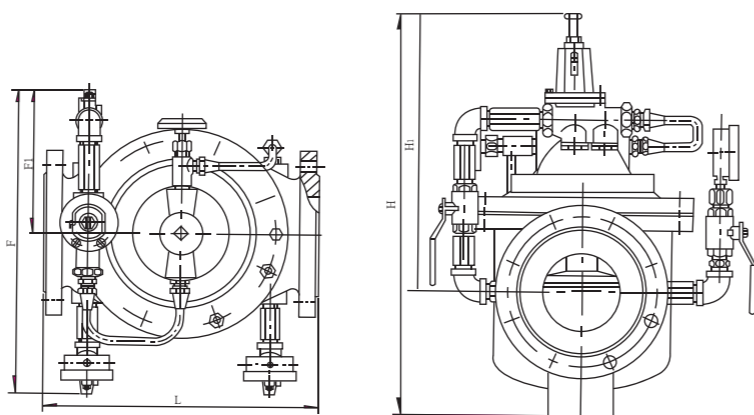
法兰式流量控制阀 Flange flow control valve

※结构及用途

该阀由主阀、针阀、流量调节阀、导阀和球阀等组成。流量控制阀设置在给水管线中，可按设定值调正阀门上部导阀及流量调节阀到某一固定流量，就可使通过主阀的流量保持不变，即使主阀上游发生变化也不会对流量产生影响。

Structure and purpose

The valve is made up of master valve, needle valve, flow regulating valve, pilot valve and ball valve etc. The flow control valve can be fixed in pipeline of water supply. Keeping the constant flow through the master valve, the flow of the pilot valve and flow regulating valve can be adjusted according to a set point. Even if the upriver flow of master valve changes, it has no effect on the outlet flow.



※主要技术参数 Main technology parameters ※主要外形尺寸 Main exterior dimensions

公称压力 Nominal pressure	PN10	PN16	PN25	公称口径(DN) Nominal dimension	尺寸 Dimension (mm)				
					L	F1	F	H1	H
壳体试验压力(MPa) Shell test pressure	1.5	2.4	3.75	20	150	136	292	179	212
密封试验压力(MPa) Seal test pressure	1.1	1.76	2.75	25	160	136	292	179	212
出口压力可调节的范围(MPa) The adjustable range of outlet pressure	0.09-0.8	0.10-1.2	0.15-1.6	32	180	136	292	179	212
压力特性 $\Delta p1p2$ Characteristic of pressure	$P2 \times 8\%$	$P2 \times 10\%$	$P2 \times 12\%$	40	200	155	330	210	265
流量特性 $\Delta p1p2$ Characteristic of pressure	$P2 \times 15\%$	$P2 \times 20\%$	$P2 \times 25\%$	50	203	155	330	210	265
介质温度 Medium temperature	$\leq 80^\circ\text{C}$			65	216	165	350	215	310
适用介质 Suitable medium	水(Water)			80	241	175	365	245	350
隔膜型 Type of diaphragm	DN20~DN450			100	292	195	410	302	460
活塞型 Type of plunger	DN350~DN800			125	330	220	455	365	520
				150	356	230	475	415	570
				200	495	255	530	510	840
				250	622	300	326	560	890
				300	698	340	700	658	1030
				350	787	415	840	696	1090
				400	914	430	880	735	1150
				450	978	430	880	735	1150
				500	978	410	780	750	1110
				600	1230	456	888	850	1286
				700	1650	560	1130	865	1460
				800	1750	610	1230	975	1640

法兰连接尺寸：铁制阀门按GB/T 17241.6-1998标准，钢制阀门按GB/T 9113-2010(RF)标准。
Flange connecting dimension: The iron valve accords to GB/T 17241.6-1998 standard and the steel valve to GB/T 9113-2010(RF)standard.

六、水力控制阀SHT500X-10.16.25系列 Waterpower control valve

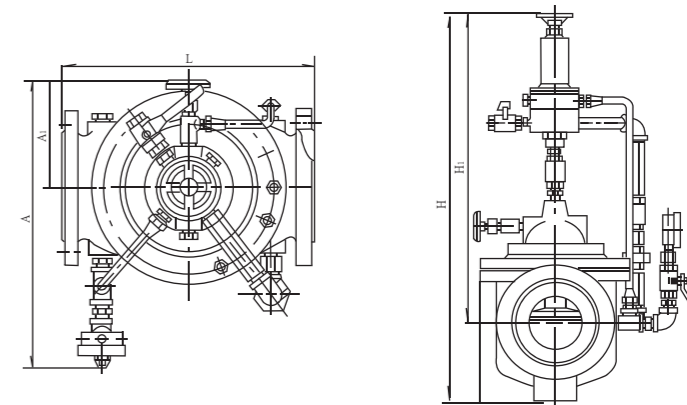
法兰式泄压/持压阀 Flange atmospheric/keeping pressure valve

※结构及用途

该阀由主阀、导阀、针阀、球阀与压力表等组成。泄压持压阀在管线上能有效地将超过导阀安全设定值之压力泄压释放，防止对管线及设备因超压而损坏。该阀主要用于高层大楼消防测试循环系统的泄压，以防止水压过高造成系统故障。可维持主阀上游压力于某一设定值以上，保障主阀上游供水区的压力。适用于工矿企业、高层建筑中由水泵直接供水及生活用水管网系统。

Structure and purpose

The valve is made up of master valve, pilot valve, needle valve, ball valve and pressure gauge etc. Atmospheric valve and keeping pressure valve can release the pressure that exceeds the safe set point of pilot valve, so it can prevent the pipeline and equipment from damage. The valve is used to test the pressure of circular system against fire in skyscraper. So it can prevent the skyscraper due to the system faults. It also can keep an expecting pressure, which assures that the pressure of upriver area of master valve is higher than the set point. The valve is applied to the pipeline network system of water supply pump in the industrial, mining enterprise and the skyscraper.



※主要技术参数 Main technology parameters ※主要外形尺寸 Main exterior dimensions

公称压力 Nominal pressure	PN10	PN16	PN25	公称口径(DN) Nominal dimension	尺寸 Dimension (mm)				
					L	F1	F	H1	H
壳体试验压力(MPa) Shell test pressure	1.5	2.4	3.75	20	150	130	333	463	557
密封试验压力(MPa) Seal test pressure	1.1	1.76	2.75	25	160	130	333	463	557
出口压力可调节的范围(MPa) The adjustable range of outlet pressure	0.09-0.8	0.10-1.2	0.15-1.6	32	180	130	333	463	557
介质温度 Medium temperature	$\leq 80^\circ\text{C}$			40	200	140	343	516	610
适用介质 Suitable medium	水(Water)			50	203	140	343	516	610
隔膜型 Type of diaphragm	DN20~DN450			65	216	140	355	520	625
活塞型 Type of plunger	DN350~DN800			80	241	145	360	537	642
				100	292	155	400	596	750
				125	330	165	420	653	808
				150	356	180	435	709	864
				200	495	205	480	805	1135
				250	622	225	530	855	1185
				300	698	245	575	953	1325
				350	787	275	620	990	1385
				400	914	285	668	1030	1145
				450	978	285	668	1030	1145
				500	978	410	780	750	1110
				600	1230	456	888	850	1286
				700	1650	422	770	1160	1755
				800	1750	458	805	1515	2230

法兰连接尺寸：铁制阀门按GB/T 17241.6-1998标准，钢制阀门按GB/T 9113-2010标准。
Flange connecting dimension: The iron valve accords to GB/T 17241.6-1998 standard and the steel valve to GB/T 9113-2010standard.

七、水力控制阀SHT600X-10.16.25系列

Waterpower control valve

法兰式水力电动控制阀

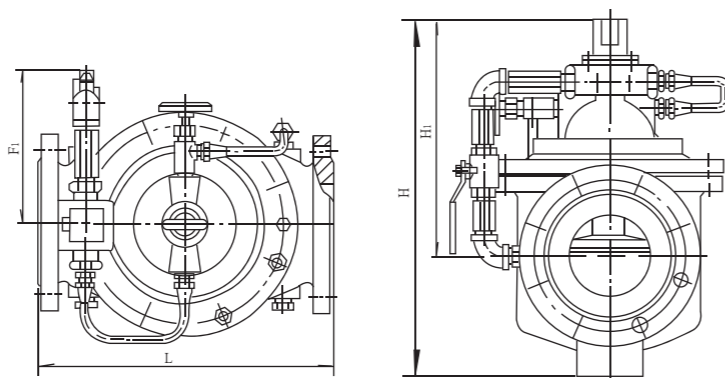
Flange waterpower and electric control valve

※结构及用途

该阀主要由主阀、针阀、电磁向导阀与球阀等组成。水力电动控制阀安装在管路中作为遥控开启和关闭的功能。在此阀上加装手动控制装置，当停电或电路出现故障时，此阀亦可开启或关闭，维修简单、使用方便、安全可靠。

Structure and purpose

The valve is made up of master valve, needle valve, electromagetic valve and ball valve etc. Water and electric power control valve is installed in pipeline as a function of open-close in remote control. After fixed the manual control device, the valve still can be opened and closed under conditions of power lossing or faults in the circuit. It is easy to maintain, convient to operate and reliable to perform.



※主要技术参数 Main technology parameters

※主要外形尺寸 Main exterior dimensions

公称压力 Nominal prssure	PN10	PN16	PN25	公称通径(DN) Nominal dimension	尺寸 Dimension (mm)			
					L	A1	H1	H
壳体试验压力(MPa) Shell test pressure	1.5	2.4	3.75	20	150	136	179	212
密封试验压力(MPa) Seal test pressure	1.1	1.76	2.75	25	160	136	179	212
介质温度 Medium temperature	≤80℃			32	180	136	179	212
最低动作压力(MPa) Lowest acting pressure	P ₁ ≥0.07			40	200	155	210	265
电磁阀 Electromagetic valve	24V			50	203	155	210	265
适用介质 Suitable medium	水(Water)			65	216	165	215	310
隔膜型 Type of dissepiment	DN20~DN450			80	241	175	245	350
活塞型 Type of plunger	DN350~DN800			100	292	195	302	460
				125	330	220	365	520
				150	356	230	415	570
				200	495	255	510	840
				250	622	300	560	890
				300	698	340	658	1030
				350	787	415	696	1090
				400	914	430	735	1150
				450	978	430	735	1150
				500	978	410	750	1110
				600	1230	456	850	1286
				700	1650	560	865	1460
				800	1750	610	975	1640

法兰连接尺寸：铁制阀门按GB/T 17241.6-1998标准，钢制阀门按GB/T 9113-2010(RF)标准。
Flange connecting dimension: The iron valve accords to GB/T 17241.6-1998 standard and the steel valve to GB/T 9113-2010(RF)standard.

八、水力控制阀SHT700X-10.16.25系列

Waterpower control valve

法兰式水泵控制阀

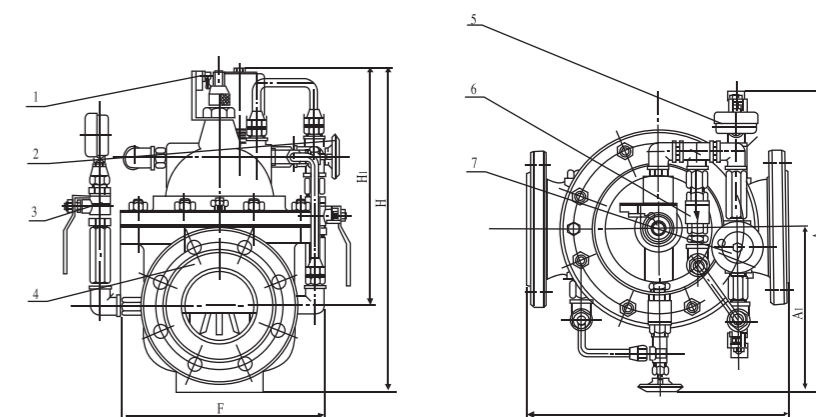
Flange water pump control valve

※结构及用途

该阀主要由主阀、针阀、电磁向导阀、单向阀、球阀、电器控制开关与压力表等组成。水泵控制阀是能够控制水泵的止回阀，当水泵停止运行前，由进口压力先关闭主阀的90%时，使水泵自动停止，剩下的10%由回水关闭，可完全防止水锤现象产生。适用于工矿企业、高层建筑中由水泵直接供水管网系统。

Structure and purpose

The valve is made up of master valve, needle valve, electromagetic valve, one way valve, ball valve, electric control switch and pressure gauge etc. The water pump control valve is a kind of check valve to control pump. Before the pump runs off, first the inlet pressure closes 90 percent position of master valve, the pump will stop automatically. The rest 10 percent position can be closed by refluxing flow to avoid the phenomenon of water hammer. The valve is applied to the pipeline network system of water pump in the industrial, mining enterprises, and the skyscrapers.



※主要技术参数 Main technology parameters

※主要外形尺寸 Main exterior dimensions

公称压力 Nominal prssure	PN10	PN16	PN25	公称通径(DN) Nominal dimension	尺寸 Dimension (mm)					
					L	A1	L	H1	H	F
壳体试验压力(MPa) Shell test pressure	1.5	2.4	3.75	20	150	292	136	342	247	116
密封试验压力(MPa) Seal test pressure	1.1	1.76	2.75	25	160	292	136	342	247	116
介质温度 Medium temperature	≤80℃			32	180	292	136	342	247	116
最低动作压力(MPa) Lowest acting pressure	P ₁ ≥0.07			40	200	330	155	395	278	168
电磁阀 Electromagetic valve	24V			50	203	330	155	395	278	168
适用介质 Suitable medium	水(Water)			65	216	350	165	405	298	180
隔膜型 Type of dissepiment	DN20~DN450			80	241	365	175	430	313	210
活塞型 Type of plunger	DN350~DN800			100	292	410	195	510	350	284
				125	330	455	220	560	365	310
				150	356	475	230	585	420	370
				200	495	530	255	675	450	463
				250	622	623	300	730	470	525
				300	698	700	340	760	490	625
				350	787	840	415	840	526	705
				400	914	880	430	910	570	778
				450	978	930	460	1030	610	778
				500	978	980	490	1135	665	690
				600	1230	1060	530	1270	725	785
				700	1650	1130	560	1460	865	980
				800	1750	1230	610	1640	975	1050

法兰连接尺寸：铁制阀门按GB/T 17241.6-1998标准，钢制阀门按GB/T 9113-2010(RF)标准。
Flange connecting dimension: The iron valve accords to GB/T 17241.6-1998 standard and the steel valve to GB/T 9113-2010(RF)standard.

九、水力控制阀SHT900X-10.16.25系列 Waterpower control valve

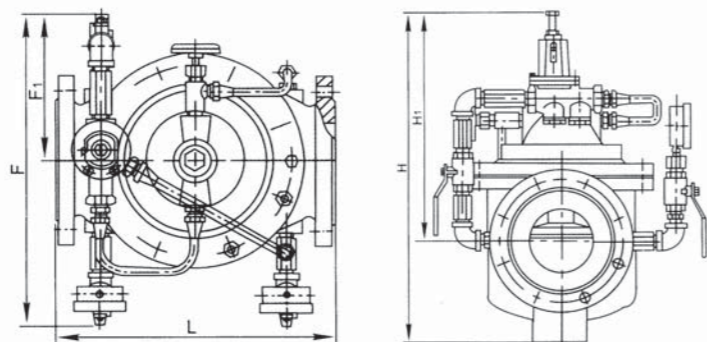
法兰式紧急关闭阀 Flange emergency closing valve

※结构及用途

该阀由主阀、针阀、导阀、球阀与压力表等组成。紧急关闭阀用于生活小区中消防用水与生活用水并联的供水系统中。当消防用水时阀门自动紧急关闭生活用水保证消防用水。当消防结束时，阀门自动打开恢复生活供水。比传统的消防单独供水更能节约成本。

Structure and purpose

The valve is made up of master valve, pilot valve, ball valve and pressure gauge etc. The emergency closing valve is used to water supply system against fire and living water in the residential section. If there are any emergency happened, the valve of water supply system can be shut off automatically and immediately. So it keep enough water supply against fire. Compared with traditional independent water supply against fire, this valve can save the cost.



※主要技术参数 Main technology parameters ※主要外形尺寸 Main exterior dimensions

公称压力 Nominal prerssure	PN10	PN16	PN25	公称通径(DN) Nominal dimension	尺寸 Dimension (mm)				
					L	F1	F	H1	H
壳体试验压力(MPa) Shell test pressure	1.5	2.4	3.75	20	150	136	292	247	342
密封试验压力(MPa) Seal test pressure	1.1	1.76	2.75	25	160	136	292	247	342
最大入口压力(MPa) Largest entrance pressure	1.0	1.6	2.5	32	180	136	292	247	342
出口压力可调节的范围(MPa) The adjustable range of outlet pressure	0.09-0.8	0.10-1.2	0.15-1.6	40	200	155	330	278	395
介质温度 Medium temperature	≤80℃			50	203	155	330	278	395
适用介质 Suitable medium	P1≥0.07			65	216	165	350	298	405
最低动作压力 Lowest acting pressure	水(Water)			80	241	175	365	313	430
隔膜型 Type of dissepiment	DN20~DN450			100	292	195	410	350	510
活塞型 Type of plunger	DN350~DN800			125	330	220	455	365	560
				150	356	230	475	420	585
				200	495	255	530	450	675
				250	622	300	326	470	730
				300	698	340	700	490	760
				350	787	415	840	526	840
				400	914	430	880	570	910
				450	978	430	880	570	910
				500	978	410	780	750	1100
				600	1230	456	888	850	1286
				700	1650	560	1130	865	1460
				800	1750	610	1230	975	1640

法兰连接尺寸：铁制阀门按GB/T 17241.6-1998标准，钢制阀门按GB/T 9113-2010(RF)标准。
Flange connecting dimension: The iron valve accords to GB/T 17241.6-1998 standard and the steel valve to GB/T 9113-2010(RF)standard.

十、水力控制阀SHT100D-10.16.25系列 Waterpower control valve

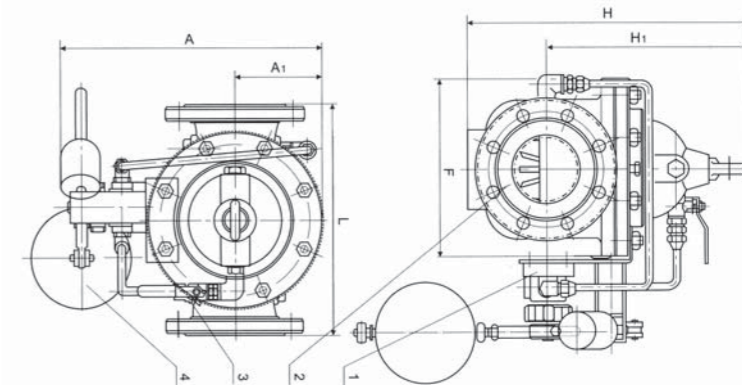
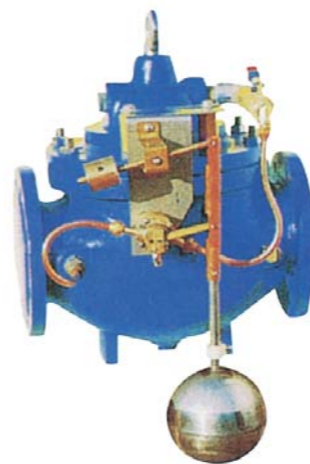
法兰式定水位阀 Flange water lever control valve

※结构及用途

该阀由主阀、导阀、球阀与浮球阀等组成。100D控制液面变化范围大，可减少水泵开启次数，液位可在4~10cm范围内自由调节，有特殊要求液面可控制在100cm内。适用于工矿企业、企业、高层建筑中的水箱、水池、水塔的自动供水系统。

Structure and purpose

The valve is made up of master valve, pilot valve, ball valve, and float ball valve etc. The valve can control large-scale range of liquid level and reduce the pump opening frequency. The range of liquid level can be adjusted within 4~10cm. The range of liquid lever also can be adjusted within 100cm on special requests. It is applied to automatic water supply system in the industrial and mining enterprise, corperation and cistern, pool and water tower of skyscraper.



※主要技术参数 Main technology parameters ※主要外形尺寸 Main exterior dimensions

公称压力 Nominal prerssure	PN10	PN16	PN25	公称通径(DN) Nominal dimension	尺寸 Dimension (mm)					
					L	A	A1	H	H1	F
壳体试验压力(MPa) Shell test pressure	1.5	2.4	3.75	20	180	200	58	212	179	116
密封试验压力(MPa) Seal test pressure	1.1	1.76	2.75	25	180	200	58	212	179	116
介质温度 Medium temperature	≤80℃			32	180	200	58	212	179	116
最低动作压力 Lowest acting pressure	P1≥0.07			40	240	225	85	265	210	170
适用介质 Suitable medium	水(Water)			50	240	225	85	265	210	170
隔膜型 Type of dissepiment	DN20~DN450			65	250	230	90	310	215	180
活塞型 Type of plunger	DN350~DN800			80	285	245	105	350	245	210
				100	360	285	138	460	305	275
				125	400	295	155	520	365	310
				150	455	318	178	570	415	355
				200	585	370	230	695	510	460
				250	650	390	250	780	560	500
				300	800	430	290	905	658	580
				350	860	460	320	1025	696	640
				400	960	496	356	1080	735	715
				450	1075	530	390	1030	610	780
				500	1075	555	415	1135	665	830
				600	1230	600	460	1270	725	920
				700	1650	630	490	1460	865	980
				800	1750	665	525	1640	975	1050

法兰连接尺寸：铁制阀门按GB/T 17241.6-1998标准，钢制阀门按GB/T 9113-2010(RF)标准。
Flange connecting dimension: The iron valve accords to GB/T 17241.6-1998 standard and the steel valve to GB/T 9113-2010(RF)standard.

十一、水力控制阀SHT100A-16系列

Waterpower control valve

角形定水位阀

Angle type water level control valve

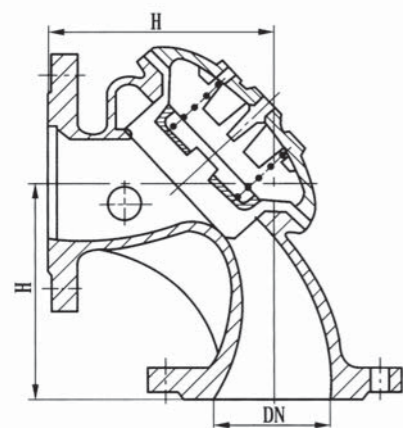
※结构及用途

该阀由角形主阀、针阀、球阀、浮球阀与内部强化尼龙布、弹簧等组成，并由主阀外部的浮球导阀控制主阀的启闭。当水池中的水位达到设定水位时，浮球导阀先行关闭后，主阀随之关闭。当水池中的水位下降约10cm后浮球导阀开启，主阀随之开启，向水池内大量充水。因此液位控制准确，水位不受压力波动干扰，开闭紧密不漏水，且安装简单、维护方便（控制浮球阀可与主阀分离安装）。



Structure and purpose

The valve is made up of angle type master valve, needle valve, ball valve, float valve, inner intensify nely and spring etc. The exterior float valve of the master valve controls the master valve open-close. When the liquid level arrives at the set point, the float valve closes, subsequently the master valve closes. when liquid level descend 10cm the float valve opens, then master valve opens, and water pour into the pool. So liquid level is accurate, the fluctuation of pressure will not interfere it. Tight open-close ensures no leakage, the installation is easy and the maintenance is convenient (the float can be separated from master valve).



※主要技术参数 Main technology parameters

公称压力 Nominal pressure	PN10	PN16	PN25
壳体试验压力(MPa) Shell test pressure	1.5	2.4	3.75
密封试验压力(MPa) Seal test pressure	1.1	1.76	2.75
介质温度 Medium temperature	≤80℃		
最低动作压力(MPa) Lowest acting pressure	P ₁ ≥ 0.1		
适用介质 Suitable medium	水、油品 Water, Oil		

※主要零件材料 Main part materials

零件名称 Name	阀体、阀盖 Body, Bonnet	阀瓣 Valve clack	弹簧 Spring	膜片 Dissepiment
材料 Material	铸铁 Cast iron	不锈钢 Stainless steel		强化尼龙+NBR Noly+NBR

※主要外形尺寸 Main exterior dimensions

公称通径(DN) Nominal dimension	50	65	80	100	125	150	200	280	300
H	125	145	155	175	200	225	275	325	375

法兰连接尺寸：铁制阀门按GB/T 17241.6-1998标准，钢制阀门按GB/T 9113-2010(RF)标准。
Flange connecting dimension: The iron valve accords to GB/T 17241.6-1998 standard and the steel valve to GB/T 9113-2010(RF)standard.

十二、水力控制阀SHT100S-10.16系列

Waterpower control valve

角形隔膜式排泥阀

Angle type dissepiment mud valve

※结构及用途

该阀由角形主阀、针阀、单向阀、球阀与电磁阀组成，内部采用强化膜片，压缩弹簧等组成，主要适用于水处理系统作为排除水池内部泥沙、污物及废水等，其驱动介质可直接用自来水，具有开启平稳快捷，运动磨损小，安装操作维护方便。

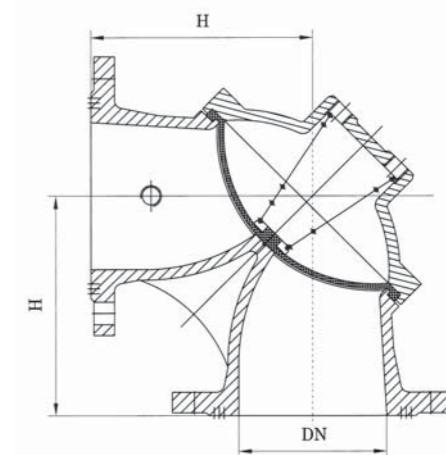
Structure and purpose

The valve is made up of angle master valve, needle valve, one way valve, ball valve and electromagnetic valve etc. It adopts intensified diaphragm and compression spring internally. It is applied to water treatment system to remove sand, feculence, waste water and so on. The driving medium come from tap water directly, the valve opens smoothly and quickly and it is of little abrasion and convenient to fix and maintain.



※主要技术参数 Main technology parameters

公称压力 Nominal pressure	PN10	PN16	PN25
壳体试验压力(MPa) Shell test pressure	1.5	2.4	3.75
密封试验压力(MPa) Seal test pressure	1.1	1.76	2.75
介质温度 Medium temperature	≤80℃		
最低动作压力(MPa) Lowest acting pressure	P ₁ ≥ 0.1		
适用介质 Suitable medium	水、油品 Water, Oil		



※主要零件材料 Main part materials

零件名称 Name	阀体、阀盖 Body, Bonnet	阀瓣 Valve clack	弹簧 Spring	膜片 Dissepiment
材料 Material	铸铁 Cast iron	不锈钢 Stainless steel		强化尼龙+NBR Noly+NBR

※主要外形尺寸 Main exterior dimensions

公称通径(DN) Nominal dimension	50	65	80	100	125	150	200	250	300
H	125	145	155	175	200	225	275	325	375

法兰连接尺寸：铁制阀门按GB/T 17241.6-1998标准，钢制阀门按GB/T 9113-2010(RF)标准。
Flange connecting dimension: The iron valve accords to GB/T 17241.6-1998 standard and the steel valve to GB/T 9113-2010(RF)standard.

十三、水力控制阀SJ744X、SJ644X-10系列

Waterpower control valve

液压气动角式快开排泥阀

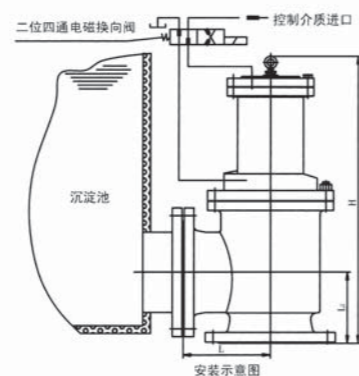
Hydraulic、pneumatic angle type quick mud valve

※结构及用途

该阀由液压缸和角式截止阀组合而成，液压缸内动力带动阀瓣升降，使阀体通道开或闭，以达到流体通断。安装在各类沉淀池底部壁外，用以排除池底的泥沙、污物。液压缸的活塞密封件为L型皮碗，其密封性能好，经久耐用。阀瓣与阀座为软密封，密封性能好，无泄漏。采用电动二位四通换向阀或手动二位四通换向阀集中控制，操作方便。

Structure and purpose

The valve is made up of hydraulic cylinder and angle globe valve, the interior motivity drives disc lifting, so it can control liquid on-off by opening-closing body gangway. The valve can be fixed in the outer wall of bottom of all kinds of pools in order to eliminate sand and contamination. Plunger seal components of hydraulic cylinder is type of L cup leather which has good seal and durable performance. Disc and valve seat are soft which have good seal without any lackage. It can be controlled by electric or manual two position four way and operated conveniently.



※主要零件材料 Main part materials

零件名称 Name	阀体、阀盖 Body, Bonnet	压板、阀盘 Hold-down plate, Valve plate	阀杆 Spindle
材料 Material	铸铁、碳钢 Cast iron, Carbon steel	球铁、青铜 Ductile iron, Bronze	不锈钢 Stainless steel

※主要技术参数 Main technology parameters

公称压力 Nominal prssure	PN10	PN16	公称通径(DN) Nominal dimension	尺寸 Dimension (mm)			接管螺纹 Nozzle screw
				H	L	L1	
壳体试验压力(MPa) Shell test pressure	1.5	2.4	80	480	135	125	1/2"
密封试验压力(MPa) Seal test pressure	1.1	1.76	100	500	145	125	1/2"
适用温度 Suitable temperature	0~80℃		150	620	175	145	1/2"
			200	735	225	185	1/2"
液压缸工作压力(MPa) Working pressure	0.15~1.0		250	805	260	205	1/2"
			300	940	280	245	3/4"
液压缸工作介质 Working medium	水、气 Water, Gas		350	1100	305	270	3/4"
			400	1200	340	310	1"
			500	1260	470	460	1"
			600	1260	580	560	1"

法兰连接尺寸：铁制阀门按GB/T 17241.6-1998标准，钢制阀门按GB/T 9113-2010(RF)标准。
Flange connecting dimension: The iron valve accords to GB/T 17241.6-1998 standard and the steel valve to GB/T 9113-2010(RF)standard.

十四、水力控制阀SJM744X、SJM644X-10系列

Waterpower control valve

膜片式液压气动快开排泥阀

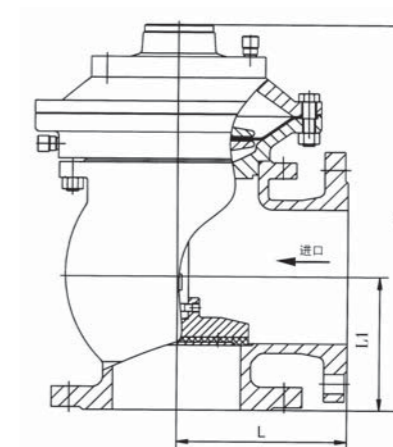
Diaphragm hydraulic、pneumatic quick open mud valve

※结构及用途

该阀采用双室隔膜传动机构替代活塞式，无运动磨损，寿命长。安装在各类沉淀水池的底部壁外，用以排除池底的泥沙及污物。

Structure and purpose

The valve adopts two rooms dissepiment transmission instead of type of plunger, so it has long life-span because of non motive abrasion. The valve can be fixed into bottom outer wall of all kinds of pools for eliminating sand and contamination.



※主要技术参数 Main technology parameters

型号 Type	公称压力 Nominal pressure	壳体试验压力(MPa) Shell test pressure	隔膜传动介质 Suitable medium	隔膜传动工作压力(MPa) Working pressure	介质温度 Medium temperture
JM744X-10 JM644X-10	PN10	1.5	清水、气 Pure water, Gas	1.0.15~1.05	0~80℃

※主要零件材料 Main part materials

零件名称 Name	阀体、阀盖 Body, Bonnet	压板、阀盘 Hold-down plate, Valve plate	阀杆 Spindle	膜片 Dissepiment
材料 Material	铸铁、碳钢 Cast iron, Carbon steel	球铁、青铜 Ductile iron, Bronze	不锈钢 Stainless steel	尼龙强化橡胶 Noly enhancing rubber

※主要外形尺寸 Main exterior dimensions

公称通径(DN) Nominal dimension	100	150	200	250	300	350	400	500	600
L	160	190	225	260	280	315	340	470	580
L1	120	150	190	220	260	300	340	460	560
H	370	440	530	615	785	880	970	1070	1260

法兰连接尺寸：铁制阀门按GB/T 17241.6-1998标准，钢制阀门按GB/T 9113-2010(RF)标准。
Flange connecting dimension: The iron valve accords to GB/T 17241.6-1998 standard and the steel valve to GB/T 9113-2010(RF)standard.

十五、多功能水力控制阀简述

Brief introduction of multifunctional waterpower control valve

※结构特点

多功能水力控制阀采用三腔控制室，因此可以实现更多的控制功能和更精确的控制，阀门由一个主阀及外装导阀、调节阀、导管和压力表等组成并配合使用。根据目的、功能及场所的不同而组合成多功能水泵控制阀、水力遥控浮球阀、减压阀、安全泻压阀和电动遥控阀。

Structure characteristics

The multi-function waterpower control valve adopts the structure of three-cavity control unit to achieve more control function accurately. It is made up of a master valve, an outside pilot valve, a regulating valve, pipe and some pressure gauges. It also can be categorized into multi-function water pump control valve, remote float ball valve, pressure reducing valve, safety releasing pressure valve and electric remote control valve etc. according to the using purposes and functions as well as the places in service.

※工作原理

多功能水泵控制阀有双室隔膜片（活塞）控制室，利用液压原理控制大（小）阀盘缓慢开启或快速关闭处于调节状态。另外还可在阀盖上安装一个调节螺杆，控制主阀实际需要的开启高度。

Working principles

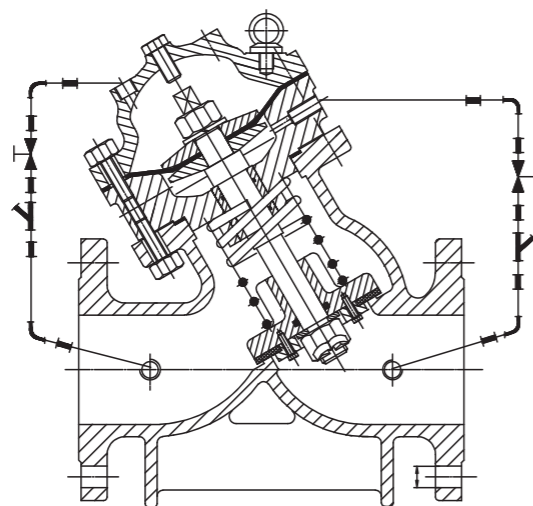
Multifunctional pump control valve has two control rooms of dissepiment (plunger). The disc opens gradually or closes quickly according to hydraulic pressure principle which make it in the adjusting condition. Besides adjusting screw rod can be fixed into bonnet to control opening height of master valve in practical needs.

全开状态：当水泵启动后，出水压力上升，水泵出水一方面产生推动大阀盘打开的力，一方面进入控制室里膜片（活塞）的下腔。上腔的水与主阀出水相连而泄掉，阀门在控制速度下缓慢开启。

Full open condition: when pump starts-up, the outlet pressure increases. Water not only produces power to drive the big disc, but also enters into under room of dissepiment (plunger), water of over room joints to outlet and rushes down, so valve opens gradually under controlling speed.

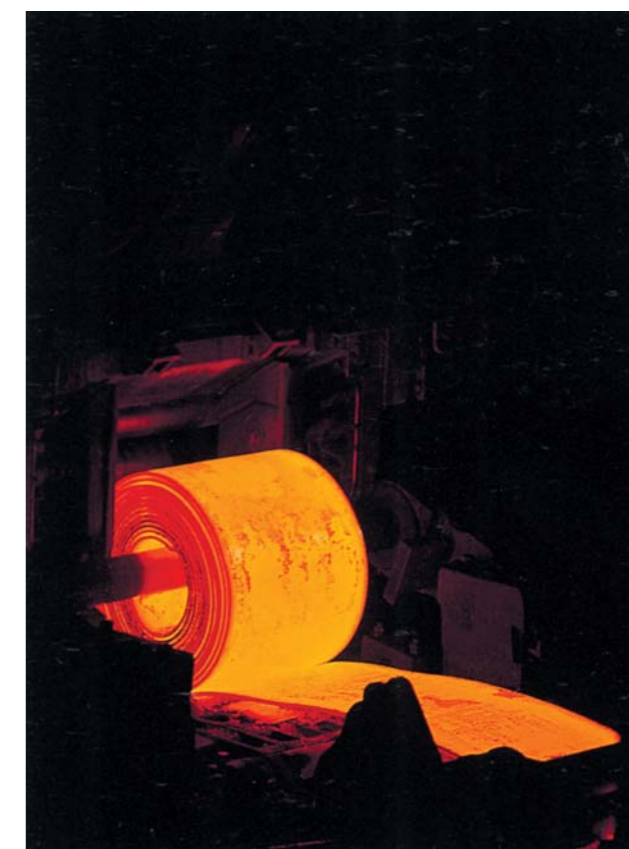
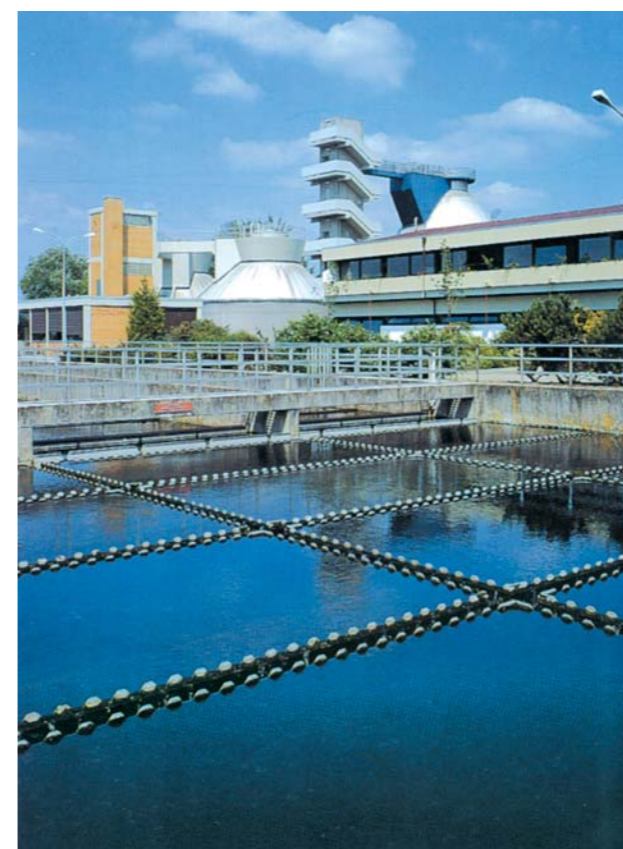
全闭状态：当水泵停机后，阀门中介质流速降低，在接近于零时，与阀杆组件滑动配合的大阀盘在自身重量和弹簧力的作用下迅速关闭，阀门压力水进入控制室膜片（活塞）的上腔，并推动膜片（活塞）使阀盘缓慢关闭。

Full close condition: when pump stops, medium flow declines in valve, when flow approximates to zero the big disc sliding spindle closes quickly due to itself weight and spring force. Water enters into over room of dissepiment (plunger), and it pushes dissepiment (plunger) to close the disc.



※主要零件材料 Main part materials

编号 Code		零件名称 Name	材质 Material	编号 Code		零件名称 Name	材质 Material
隔膜型 Dissepiment	活塞型 Plunger			隔膜型 Dissepiment	活塞型 Plunger		
1	1	阀盖 Bonnet	铸铁、球铁、铸钢 Cast iron, Cast steel Nodular cast iron	5	7	压缩弹簧 Compression spring	硅锰钢 Sicilon-manganese steel
2		膜片压板 Hold down plat	球铁 Nodular cast iron		5	缸体 Cylinder	铸铁、球铁、铸钢 Cast iron, Cast steel Nodular cast iron
	2	缸套 Cylinder block	不锈钢 Stainless steel	6	6	阀体 Body	铸铁、球铁、铸钢 Cast iron, Cast steel Nodular cast iron
3		膜片 Dissepiment	丁腈橡胶 NBR	7	8	阀杆 Spindle	不锈钢 Stainless steel
	3	活塞 Plunger	球铁 Nodular cast iron	8	9	阀盘 Valve plate	球铁 Nodular cast iron
4		膜片座 Dissepiment Seat	铸铁、球铁、铸钢 Cast iron, Cast steel Nodular cast iron	9	10	密封垫 Gland	丁腈橡胶 NBR
	4	皮碗 Cup leather	丁腈橡胶 NBR	10	11	密封垫压板 Gland hold down plate	青铜 Bronze



十六、多功能水力控制阀SJD745X-10.16.25 系列

Multifunctional waterpower control valve

水泵控制阀

Water pump control valve



※结构及用途

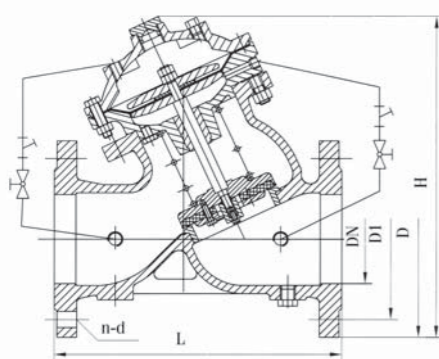
该阀由主阀、调节阀、过滤器等组成，安装在高层建筑给水系统的水泵出口管道上，防止介质倒流，消除水锤产生，具有截止阀、逆止阀、水锤消除器等多种功能，有效提高供水系统的安全可靠性满足系统工程设备自动化控制要求。

Structure and purpose

The valve is made up of master valve, regulating valve, filter etc. It is fixed in pump outlet pipe of water supply system in skyscraper to prevent flow from regorging and eliminate water hammer. The valve has the functions of globe valve, check valve, eliminator of water hammer. It improves safety and reliability of water supply system to satisfy the re quests of automatic control on engineering devices.

※主要技术参数 Main technology parameters

公称压力 Nominal pressure	PN10	PN16	PN25
壳体试验压力(MPa) Shell test pressure	1.5	2.4	3.75
密封试验压力(MPa) Seal test pressure	1.1	1.76	2.75
介质温度 Medium temperature	≤80℃		
水锤峰值 Peak value of water hammer	≤1.5倍(工作压力) ≤1.5times(Working pressure)		
最低动作压力(MPa) Lowest acting pressure	P1≥0.07		
缓闭时间 Slow close time	3~60S(可调 Adjustable)		
压力损失 Pressure loss	≤0.03(流速2m/s, Flow 2m/s)		
适用介质 Suitable medium	水、油品 Water, Oil		



※主要外形尺寸 Main exterior dimensions

公称通径(DN) Nominal dimension	尺寸 Dimension (mm)		公称通径(DN) Nominal dimension	尺寸 Dimension (mm)		公称通径(DN) Nominal dimension	尺寸 Dimension (mm)	
	L	H		L	H		L	H
50	205	293	200	500	673	500	978	1256
65	216	328	250	605	792	600	1200	1600
80	250	364	300	698	927	700	1450	1750
100	320	418	350	787	957	800	1560	1900
125	365	481	400	914	1188	900	1800	2100
150	415	543	450	978	1218	1000	2000	2400

法兰连接尺寸：铁制阀门按GB/T 17241.6-1998标准，钢制阀门按GB/T 9113-2010(RF)标准。
Flange connecting dimension: The iron valve accords to GB/T 17241.6-1998 standard and the steel valve to GB/T 9113-2010(RF)standard.

十七、多功能水力控制阀SF745X-10.16.25 系列

Multifunctional waterpower control valve

遥控浮球阀

Remote control float ball valve

※结构及用途

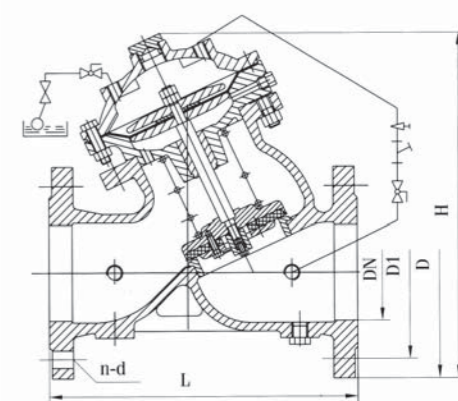
该阀由主阀、调节阀、过滤器、浮球等组成，安装在水箱、水池、水塔的自动供水系统的进水管中。当水池水位达到预定水位时，阀门自动关闭，当水位下降时，阀门自动开启补水。具有关闭严密可靠、流阻小、流量大、液位控制准确、运行安全、安装简便、维护方便。(浮球可和主阀分离安装)。

Structure and purpose

The valve is made up of master valve, regulating valve, filter and float ball etc, it can be fixed in inlet pipe in automatic water supply system of cistern, pool and water tower. When liquid level arrives at the scheduled set point, the valve closes automatically, when liquid level declines, the valve opens automatically to compensate water. So it is of safe and reliable closing, little flow resistance, large flow, accurate liquid level. And it is safe to run, easy to fix, convenient to maintain. (float ball can be seperated from master).

※主要技术参数 Main technology parameters

公称压力 Nominal pressure	PN10	PN16	PN25
壳体试验压力(MPa) Shell test pressure	1.5	2.4	3.75
密封试验压力(MPa) Seal test pressure	1.1	1.76	2.75
介质温度 Medium temperature	≤80℃		
最低动作压力(MPa) Lowest acting pressure	P1≥0.07		
适用介质 Suitable medium	水、油品 Water, Oil		



※主要外形尺寸 Main exterior dimensions

公称通径(DN) Nominal dimension	尺寸 Dimension (mm)		公称通径(DN) Nominal dimension	尺寸 Dimension (mm)		公称通径(DN) Nominal dimension	尺寸 Dimension (mm)	
	L	H		L	H		L	H
50	205	293	200	500	673	500	978	1256
65	216	328	250	605	792	600	1200	1600
80	250	364	300	698	927	700	1450	1750
100	320	418	350	787	957	800	1560	1900
125	365	481	400	914	1188	900	1800	2100
150	415	543	450	978	1218	1000	2000	2400

法兰连接尺寸：铁制阀门按GB/T 17241.6-1998标准，钢制阀门按GB/T 9113-2010(RF)标准。
Flange connecting dimension: The iron valve accords to GB/T 17241.6-1998 standard and the steel valve to GB/T 9113-2010(RF)standard.

十八、多功能水力控制阀SYX741X-10.16.25 系列
Multifunctional waterpower control valve

可调式减压阀
Adjustable reducing valve

※结构及用途

该阀由主阀、导阀、调节阀、过滤器和压力表等组成，主要安装在给水系统、消防供水系统中需要减压的管道上，将较高的上游压力降为符合要求的下游使用压力，具有减压效果，安全可靠、调压操作方便、节能效果好。

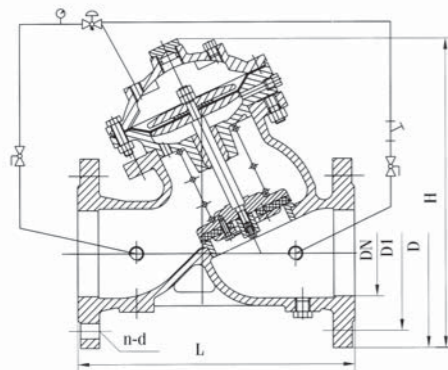
Structure and purpose

The valve is made up of master valve, pilot valve, regulating valve, filter and pressure gauge etc. It can be fixed in pipes which need to reduce pressure in water supply and fire control system. The valve declines upstream higher pressure to conform to downstream using pressure. It can reduce pressure, adjust pressure conveniently and save energy effectively.



※主要技术参数 Main technology parameters

公称压力 Nominal pressure	PN10	PN16	PN25
壳体试验压力(MPa) Shell test pressure	1.5	2.4	3.75
密封试验压力(MPa) Seal test pressure	1.1	1.76	2.75
出口压力调节范围(MPa) Adjusting range of outlet pressure	0.1-0.9	0.13-1.3	0.13-2.2
介质温度 Medium temperature	≤80℃		
适用介质 Suitable medium	水、油品 Water, Oil		



※主要外形尺寸 Main exterior dimensions

公称通径(DN) Nominal dimension	尺寸 Dimension (mm)		公称通径(DN) Nominal dimension	尺寸 Dimension (mm)		公称通径(DN) Nominal dimension	尺寸 Dimension (mm)	
	L	H		L	H		L	H
50	205	293	200	500	673	500	978	1256
65	216	328	250	605	792	600	1200	1600
80	250	364	300	698	927	700	1450	1750
100	320	418	350	787	957	800	1560	1900
125	365	481	400	914	1188	900	1800	2100
150	415	543	450	978	1218	1000	2000	2400

法兰连接尺寸：铁制阀门按GB/T 17241.6-1998标准，钢制阀门按GB/T 9113-2010(RF)标准。
Flange connecting dimension: The iron valve accords to GB/T 17241.6-1998 standard and the steel valve to GB/T 9113-2010(RF) standard.

十九、多功能水力控制阀SAX742X-10.16.25 系列
Multifunctional waterpower control valve

安全泄压/持压阀
Atmospheric/pressure retaining valve

※结构及用途

该阀由主阀、导阀、调节阀、过滤器和压力表等组成，安装在消防给排水系统及其他给水管道上，当给水管路中压力超过泄压阀设定压力时，即自动开启泄压，防止压力急剧增高而损坏给水管线及设备，并维持给水管线中压力于安全值以下，确保管线安全运行。

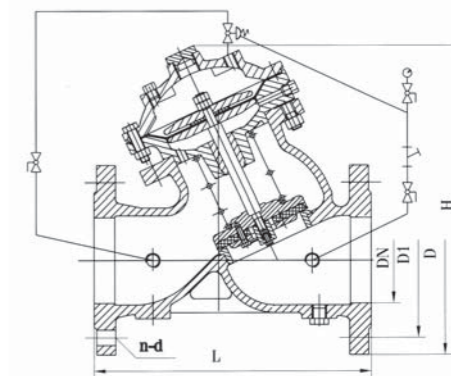
Structure and purpose

The valve is made up of master valve, pilot valve, regulating valve, filter and pressure gauge etc. It can be fixed in pipe of water supply and drainage for fire control or others. When the pipe pressure exceeds the set point, the valve releases the pressure automatically to protect pipelines and equipments from damage which results from dramatically increasing pressure in the pipes. It also keeps safe pressure in the water supply pipes to ensure that the pipeline runs safely.



※主要技术参数 Main technology parameters

公称压力 Nominal pressure	PN10	PN16	PN25
壳体试验压力(MPa) Shell test pressure	1.5	2.4	3.75
密封试验压力(MPa) Seal test pressure	1.1	1.76	2.75
出口压力调节范围(MPa) Adjusting range of outlet pressure	0.1-0.9	0.13-1.3	0.13-2.2
介质温度 Medium temperature	≤80℃		
适用介质 Suitable medium	水、油品 Water, Oil		



※主要外形尺寸 Main exterior dimensions

公称通径(DN) Nominal dimension	尺寸 Dimension (mm)		公称通径(DN) Nominal dimension	尺寸 Dimension (mm)		公称通径(DN) Nominal dimension	尺寸 Dimension (mm)	
	L	H		L	H		L	H
50	205	300	200	500	778	500	978	1324
65	216	337	250	605	889	600	1200	1600
80	250	467	300	698	1010	700	1450	1750
100	320	520	350	787	1037	800	1560	1900
125	365	580	400	914	1264	900	1800	2100
150	415	640	450	978	1294	1000	2000	2400

法兰连接尺寸：铁制阀门按GB/T 17241.6-1998标准，钢制阀门按GB/T 9113-2010(RF)标准。
Flange connecting dimension: The iron valve accords to GB/T 17241.6-1998 standard and the steel valve to GB/T 9113-2010(RF) standard.

二十、多功能水力控制阀SJ745X-10.16.25 系列 Multifunctional waterpower control valve

电动遥控阀 Electric remote control valve

※结构及用途

该阀由主阀、电磁阀、调节阀、过滤器等组成，安装在各类给排水系统的管线上，根据电信号或手动操作，实行阀门启闭，具有准确快速的控制反应，并可调节关闭速度，使阀门平衡关闭而不会产生压力波动。

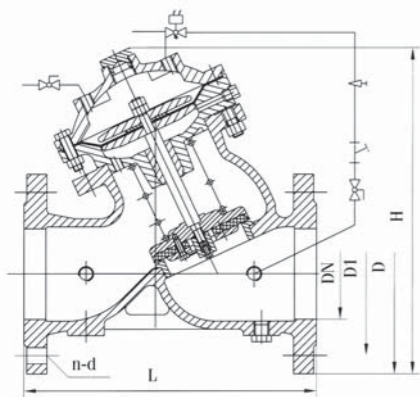
Structure and purpose

The valve is made up of master valve, electromagitic valve, regulating valve and filter etc. It can be fixed in all kinds of water supply and drainage pipes. According to electric signal or manual operation, the valve can be opened and closed, it also has accurate and quick reaction, the closing speed can be adjusted. The valve keeps balance during its closing and does not cause pressure fluctuation.



※主要技术参数 Main technology parameters

公称压力 Nominal pressure	PN10	PN16	PN25
壳体试验压力(MPa) Shell test pressure	1.5	2.4	3.75
密封试验压力(MPa) Seal test pressure	1.1	1.76	2.75
介质温度 Medium temperature	≤80℃		
适用介质 Suitable medium	水、油品 Water, Oil		



※主要外形尺寸 Main exterior dimensions

公称通径(DN) Nominal dimension	尺寸 Dimension (mm)		公称通径(DN) Nominal dimension	尺寸 Dimension (mm)		公称通径(DN) Nominal dimension	尺寸 Dimension (mm)	
	L	H		L	H		L	H
50	205	320	200	500	696	500	978	1270
65	216	367	250	605	810	600	1200	1600
80	250	400	300	698	943	700	1450	1750
100	320	452	350	787	1200	800	1560	1900
125	365	522	400	914	1230	900	1800	2100
150	415	592	450	978	1230	1000	2000	2400

法兰连接尺寸：铁制阀门按GB/T 17241.6-1998标准，钢制阀门按GB/T 9113-2010(RF)标准。
Flange connecting dimension: The iron valve accords to GB/T 17241.6-1998 standard and the steel valve to GB/T 9113-2010(RF)standard.

二十一、减压阀SFY46T- 16.25 系列 Reducing valve

组合式减压阀 Assembly reducing valve

※结构及用途

该阀主要由主阀、控制导阀、过滤器、针阀、球阀及旁通管道节流部位等组成。适用于温度小于80℃的水及非腐蚀性液体（汽油、煤油）和气体等需要降低到一定范围的设备和管路系统上，通过调节将进口压力降低至某一需要的出口压力值。当进口压力或流量发生变化时，靠介质本身的能量可自动保持出口压力在一定的范围内。

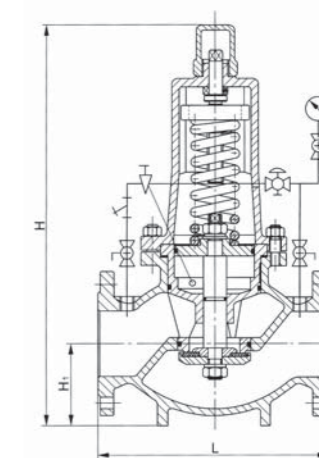
Structure and purpose

The valve is made up of master valve, controllable pilot valve, filter, needle valve, ball valve and by pass pipe etc. It is applied to expecting pressure equipment and pipeline system of water, non-erosive liquid (gasoline, kerosene) and gas which temperature are below 80℃, the outlet pressure can be adjusted by changing inlet pressure. When the inlet pressure or the flow changes, the outlet pressure can keep a certain range depending on the energy of medium.



※主要技术参数 Main technology parameters

型号Type	SFY46T-16 SFY46T-16C		SFY46T-25	
公称通径(DN) Nominal dimension	65-250	300-400	65-250	300-400
公称压力 Nominal pressure	PN16		PN25	
强度试验压力(MPa) Shell test pressure	2.4		3.75	
最大进口压力(MPa) Largest inlet pressure	1.6		2.5	
出口压力分段(MPa) Sectorial pressure of outlet pressure	0.08-0.2 0.08-0.2	0.2-0.5 0.2-0.5	0.5-1.2 0.5-1.0	0.2-0.5 0.5-1.2



※主要零件材料 Main part materials

零件名称 Name	材质 Material
阀体、阀盖 Body, Bonnet	铸铁、碳钢、球铁 Cast iron, Carbon steel Nodular cast iron
阀杆、活塞、阀瓣 Spindle, Plunger, Disc	不锈钢 Stainless steel
阀座 Valve seat	铜 Copper
过滤器、球阀、针阀 控制导阀 Filter, Ball valve Needle valve, Pilot valve	铜 Copper
弹簧 Spring	硅锰钢 Si-Mn steel
密封垫 Gland	丁腈橡胶 NBR

※主要外形尺寸 Main exterior dimensions

公称通径(DN) Nominal dimension	尺寸 Dimension (mm)		
	L	H1	H
65	290	100	560
80	310	105	580
100	350	125	650
125	400	140	685
150	480	160	915
200	600	190	1015
250	730	220	1220
300	850	250	1250
400	1100	320	1275

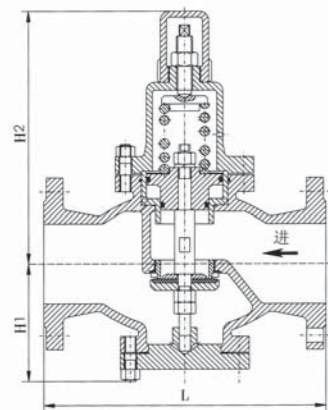
法兰连接尺寸：铁制阀门按GB/T 17241.6-1998标准，钢制阀门按GB/T 9113-2010(RF)标准。
Flange connecting dimension: The iron valve accords to GB/T 17241.6-1998 standard and the steel valve to GB/T 9113-2010(RF)standard.

二十二、减压阀Y42X-16.25.40.64.100系列

Reducing valve

弹簧活塞式减压阀

Spring plunger reducing valve



※结构及用途

该阀主要由阀体、阀盖、弹簧、活塞、阀座等组成，采用阀后压力直接传递作用于活塞上，下方压力保持最佳平衡状态，动作灵敏快捷，适用于介质温度0~90℃的水、空气和非腐蚀性液体管路上，可取代常规分区水管，简化和节省系统设备，降低工程造价。

Structure and purpose

The valve is made up of body, bonnet, spring, plunger and valve seat etc. The back pressure of the valve acts on plunger directly, and down pressure can keep the best balance condition, the action is sensitive and rapid. The valve is applied to pipelines of water, gas, non-erosive liquid temperature of which is between 0~90°C. It also can replace the routine divisional pipe, simplify and save the system equipment and reduce the project cost.

※主要技术参数 Main technology parameters

公称压力 Nominal pressure	进口压力 Inlet pressure P1 (MPa)	试验压力 Test pressure MPa	出口压力P2(MPa) Outlet pressure		动静压差(MPa) Different pressure	出口压力偏差值 Outlet pressure deviation
			DN≤50	DN≥65		
PN10	≤1.0	1.5	0.1-0.8	0.1-0.8	0.06	5%
PN16	≤1.6	2.4	0.1-1.0	0.2-1.2	0.10	10%
PN25	≤2.5	3.75	0.15-1.6	0.25-1.6	0.15	
PN40	≤4.0	6.0	0.2-2.5	0.3-2.5	0.25	15%
PN64	≤6.4	9.6	0.3-4.0	0.4-4.0	0.40	20%
PN100	≤10.0	15.0	0.45-6.0	0.6-6.2	0.65	30%

※主要零件材料 Main part materials

零件名称 Name	阀体、上盖、下盖 Body, Upper and down bonnet	调节弹簧 Regulating spring	活塞 Plunger	缸套 Cylinder cover
材料 Material	灰铸铁、铸钢 Grey cast iron, Cast steel	硅锰钢 Silicon-manganese steel	不锈钢 Stainless steel	

※主要外形尺寸 Main exterior dimensions

DN	L			H1				H2			
	PN16 25	PN40	PN64	PN16	PN25	PN40	PN64	PN16	PN25	PN40	PN64
20	160	160	170	90	90	90	90	220	220	220	220
25	180	200	200	95	95	100	105	255	255	265	265
32	200	220	220	100	100	100	110	255	255	265	265
40	220	240	240	115	115	130	130	325	325	330	330
50	250	270	270	120	120	135	135	325	325	330	330
65	260	280	300	125	125	130	145	330	330	340	355
80	310	330	330	135	135	150	160	340	340	340	340
100	350	380	380	108	108	185	185	317	317	360	360
125	400	450	450	190	200	200	245	560	560	565	565
150	450	500	500	205	210	210	280	580	580	585	585
200	500	560	560	220	245	245	310	630	630	635	635
250	600			270							
300	800			310							
350	850			390							
400	900			420							

法兰连接尺寸：铁制阀门按GB/T 17241.6-1998标准，钢制阀门按GB/T 9113-2010(RF)标准。
Flange connecting dimension: The iron valve accords to GB/T 17241.6-1998 standard and the steel valve to GB/T 9113-2010(RF)standard.

二十三、减压阀Y43H-16.25.40.64系列

Reducing valve

蒸气减压阀

Vapour reducing valve

※结构及用途

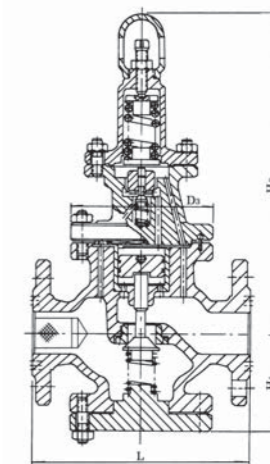
该阀适用于蒸汽、空气等气体管路上，通过减压阀的调节，可使进口压力降至某一需要的出口压力，当进口压力或流量变动时，减压阀依靠介质本身的能量可自动保持出口压力在小范围内波动。

Structure and purpose

The valve is applied to pipelines of steam and air, the inlet pressure can be declined to a certain expected outlet pressure by adjusting the reducing valve. When the inlet pressure or the flow change, the valve can keep the outlet pressure fluctuation in a small range by medium itself energy.

※主要零件尺寸 Main parts dimensions

公称压力 Nominal pressure	公称通(DN) Nominal dimension	尺寸 Dimension (mm)		
		L	H1	H2
PN16	20	160	89	312
	25	180	101	315
	32	200	107	320
	40	220	113	325
	50	250	120	335
	65	260	125	340
	80	310	140	360
	100	350	150	390
	125	400	190	440
	150	450	205	440
	200	500	220	475
	250	600	270	545
	300	800	335	575
	350	850	390	650
PN25	25	200	101	315
	32	200	107	320
	40	220	113	325
	50	250	120	335
	65	260	125	340
	80	310	140	360
	100	350	150	390
	125	400	190	425
	150	450	210	445
	200	500	245	485
	250	600	270	545
	300	800	335	575
	350	850	390	650
	400	900	430	710
PN40	25	200	101	315
	32	220	107	320
	40	240	113	325
	50	270	120	335
	65	280	140	365
	80	330	150	385
	100	380	150	385
PN63 (PN64)	125	450	190	425
	150	500	210	445
	200	560	245	485
	25	200	110	370
	32	220	125	380
	40	240	130	395
	50	270	135	405
	65	300	145	410
	80	330	170	445
	100	380	175	455
PN63 (PN64)	125	450	245	504
	150	500	280	555
	200	560	310	581



※主要零件材料 Main part materials

零件名称 Name	材质 Material
阀体、阀盖 Body, Bonnet	球铁、碳钢、不锈钢 Ductile, Carbon steel, Stainless steel
副阀座、副阀瓣、膜片 主阀座、主阀瓣、活塞 Dissepiment, Disc	不锈钢 Stainless steel
弹簧 Spring	铬钒钢 Chrome-vanadium steel
调节弹簧 Regulating spring	硅锰钢 Si-Mn steel
活塞环 Plunger ring	合金铸铁 Alloy cast iron

法兰连接尺寸：铁制阀门按GB/T 17241.6-1998标准，钢制阀门按GB/T 9113-2010(RF)标准。
Flange connecting dimension: The iron valve accords to GB/T 17241.6-1998 standard and the steel valve to GB/T 9113-2010(RF)standard.

二十四、减压阀YK43X-16.25.40.64 系列

Reducing valve

气体减压阀

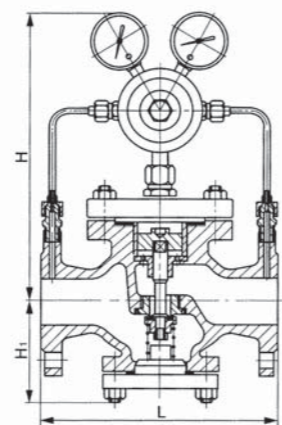
Air reducing valve

※结构及用途

该阀主要由主阀和导阀两大部件组成。适用于工作温度低于80℃的空气、液化气、氧气等气体管路上。使用时旋转调节螺杆，顶开导阀盘，介质由阀前导管通过导阀腔进入主阀上盖，促使介质压力推动活塞，使主阀盘开启，介质流向阀后，同时由阀后压力进入导阀直接传递并作用于膜片下方与膜片上方压力保持最佳平衡状态，达到减压目的。

Structure and purpose

The valve is made up of master valve and pilot valve. It is applied to gas pipeline of air, gasol, oxygen of temperature which is below 80℃. First the adjusting screw must be rotated to push on disc of pilot valve, which makes the medium enter into upper cover of master valve through the front pipe of valve, then the master valve is opened when the pressure pushes plunger, and then the medium flows valve back, meanwhile the valve back pressure transfers and pushes on the under diaphragm, which keeps balance with the upper pressure of diaphragm to aim at reducing pressure.



※主要零件材料 Main part materials

零件名称 Name	材质 Material
阀体、阀盖、下盖 Body, Bonnet, Down cover	球铁、碳钢 Nodular cast iron carbon steel
导阀 Poilt valve	铜或不锈钢 Copper or stainless steel
活塞 Plunger	铜 Copper
缸套、阀杆 Cylinder cover, Spindle	不锈钢 Stainless steel
弹簧 Spring	硅锰钢 Si-Mn steel
膜片 Dissepiment	丁腈橡胶 NBR
密封垫 Gland	丁腈橡胶或聚四氟乙烯 NBR or PTFE

※主要外形尺寸 Main exterior dimensions

公称通径(DN) Nominal dimension	L(mm)		H(mm)	H1(mm)
	PN10.16.25	PN40.64.180	PN10-64	PN10-64
20	160	200	240	75
25	180	220	245	80
32	200	240	250	85
40	220	270	265	100
50	250	300	280	115
65	280	330	300	135
80	310	380	310	145
100	350	450	330	165
125	400	500	355	190
150	450	550	375	210
200	550	650	410	245
250	650	800	440	274
300	800	850	480	314
350	850	900	520	355
400	900	1075	560	395
500	1075	1295	595	430
600	1295		680	515

法兰连接尺寸：铁制阀门按GB/T 17241.6-1998标准，钢制阀门按GB/T 9113-2010(RF)标准。
Flange connecting dimension: The iron valve accords to GB/T 17241.6-1998 standard and the steel valve to GB/T 9113-2010(RF)standard.

※主要技术参数 Main technology parameters

型号 Type	YK43X-16Q	YK43X-25	YK43X-40	YK43X-64
公称压力 Nominal pressure	PN16	PN25	PN40	PN64
壳体试验压力(MPa) Shell test pressure	2.4	3.8	6	9.6
出口压力P1(MPa) Outlet pressure P1	≤1.6	2.5	4	≤6.4
出口压力P2(MPa) Outlet pressure P2	0.05-1.1	0.05-1.1	0.05-1.1	0.05-1.1
适用介质 Suitable medium	空气、液化气、氧气 (Air, Gasol, Oxygen)			
介质温度 Medium temperature	≤70℃			
压力特性偏差 Pressure characteristic deviation	稳定流动状态下，当流量等参数不变时，进口压力在80~105%的最高压力（工作）范围内变化，其出口压力的偏差值4P1 ≤ ±5%P1 Under the stable flowing condition, when the flow parameter is constant, the change range of inlet pressure is among 80~105%, the discrepancy of outlet pressure is 4P1 ≤ ±5%P1			
流量特性偏差 Flow characteristic deviation	稳定流动状态下，当进口压力等参数不变时，流量在20~100%的最大流量范围内变化，其出口压力的偏差值4P1 ≤ -10%P2 Under the stable flowing condition, when the flow parameter is constant, the change range of flow is among 20~100%, the discrepancy of outlet pressure is 4P1 ≤ -10%P2			
静态特性偏差 Static characteristic deviation	稳定流动状态下，当进口压力和流量等参数的变化，所引起出口压力的变化，其值4P1 ≤ -10%P2 Under the stable flowing condition, when the inlet pressure and flow parameter change, the change range of outlet pressure is 4P1 ≤ -10%P2			



二十五、减压阀YB43X-16.25系列 Reducing valve

比例式减压阀 Proportional reducing valve

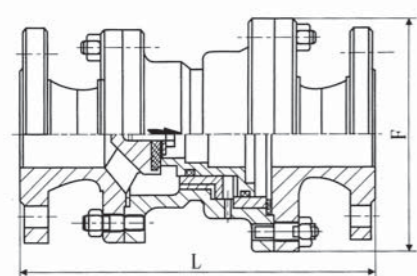


※结构及用途

该阀是利用阀内浮动活塞两端不同的截面面积构成了阀前与阀后的压力差，改变阀后的压力达到减压目的。该产品结构独特、性能优越、流量大、开关平稳、无噪声、比例准确、即“减动压”又“减静压”，并且有减少乃至消除“水锤”现象对管件与供水器具的破坏，消除不必要的振动，节约水源保护管网的作用。本公司提供的标准压力比为2:1、3:1、4:1、5:1、3:2、5:2等并可根据用户的要求设计特殊比例的减压阀。

Structure and purpose

According to the different section area on both float plunger sides, the different pressure of the valve front and valve back can be produced. The valve arrives at reducing pressure purpose by changing the pressure of valve back. The product is characterized of distinctive structure, superior function, large flow, smooth open-close, non-noise, accurate proportion. It also can decline and even eliminate water hammer phenomenon, to protect pipes and apparatus of water supply and save water resource. we offer standard pressure ratio including: 2:1, 3:1, 4:1, 5:1, 3:2, 5:2 and special ratio are available on requests.



※主要外形尺寸 Main exterior dimensions

型号 Type	DN	L	F
YB43X-16	25	230	125
	32	250	145
	40	255	160
	50	270	180
	65	300	190
	80	320	220
	100	340	240
125	400	280	
150	430	320	
200	460	380	

※主要技术参数 Main technology parameters

型号 Type	YB43X-16.25	
连接方式 Connecting way	法兰 Flange	
适用介质 Suitable medium	水、气 Water, gas	
介质温度 Medium temperature	≤80℃	
额定工作压力 Rated pressure	PN10	
压力误差 Pressure error	±2.5%	
最小开启压力 Lowest open pressure	2:1	0.2MPa
	3:1	0.3MPa

※主要零件材料 Main part materials

零件名称 Name	材质 Material
阀体、进出口法兰 Body, inlet outlet flange	铸铁、铸钢 Cast iron, Cast steel
活塞、大小缸套 Plunger, big and small cylinder cover	青铜或不锈钢 Bronze or stainless steel

法兰连接尺寸：铁制阀门按GB/T 17241.6-1998标准，钢制阀门按GB/T 9113-2010(RF)标准。
Flange connecting dimension: The iron valve accords to GB/T 17241.6-1998 standard and the steel valve to GB/T 9113-2010(RF)standard.

二十六、减压阀YP43X-10.16T(P)系列 Reducing valve

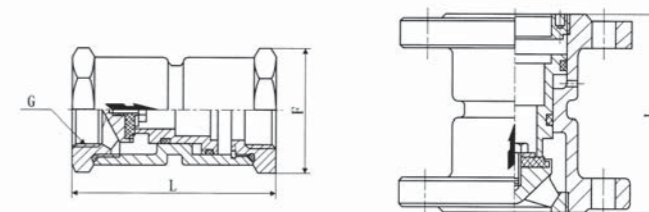
比例式减压阀 Proportional reducing valve

※结构及用途

该阀主要由阀体、进口压盖、活塞、出口压盖及O型圈、密封垫等零件组成，利用阀内浮动活塞两端不同的截面面积造成压力差从而改变进水与出水的压力状况，达到减压目的。该产品结构严谨、运行流畅、体型轻巧、便于安装、比例准确，即“减动压”又“减静压”，适用于清洁水和海水。本公司提供的标准压力比2:1、3:1、3:2、4:1、5:1、5:2等，并可根据用户的要求设计特殊比例减压阀。

Structure and purpose

The valve is made up of body, inlet cover, plunger, outlet cover, O ring and gland etc. Taking advantage of the differ pressure of both float plunger side which results from different sectional area, the pressure status of the outlet and inlet is changed to fulfill reducing pressure purpose. The products have compact structure, smooth action, dexterous body form, accurate proportion, it is applicable to pure water and seawater. We offer standard pressure ratios including: 2:1, 3:1, 4:1, 5:1, 5:2 and can design special ratios which are available on request.



※主要技术参数 Main technology parameters

型号 Type	Y13X-10T Y13X-16T	Y43X-10T Y43X-16T
连接方式 Connecting way	内螺纹 Interior screw	法兰 Flange
适用介质 Suitable medium	水、气 Water, gas	
介质温度 Medium temperature	≤80℃	
额定工作压力 Rated pressure	PN10	PN16
压力误差 Pressure error	±2.5%	
最小开启压力 Lowest open pressure	2:1	0.2MPa
	3:1	0.3MPa

※主要零件材料 Main part materials

零件名称 Name	材质 Material
阀体 Body	青铜或不锈钢 Bronze or stainless steel
活塞 Plunger	
进口压盖 Inlet cover	
出口压盖 Outlet cover	

※主要外形尺寸 Main exterior dimensions

型号 Type	YP13X-16 2:1 3:1 3:2 5:1 5:2					
DN	15	20	25	32	40	50
G(inch)	1/2"	3/4	1"	1 1/4"	1 1/2"	2"
L	80	80	90	100	110	100
F	50	50	54	60	68	80
连接方式 Connect	管螺纹 Gas thread					

型号 Type	DN	L(mm)
YB43X-16	25	115
	32	124
	40	132
	50	140
	65	155
	80	155
	100	200
125	220	
150	230	
200	270	

法兰连接尺寸：铁制阀门按GB/T 17241.6-1998标准，钢制阀门按GB/T 9113-2010(RF)标准。
Flange connecting dimension: The iron valve accords to GB/T 17241.6-1998 standard and the steel valve to GB/T 9113-2010(RF)standard.

二十七、减压阀YP43(13)-10.16T、P(B型)系列 Reducing valve

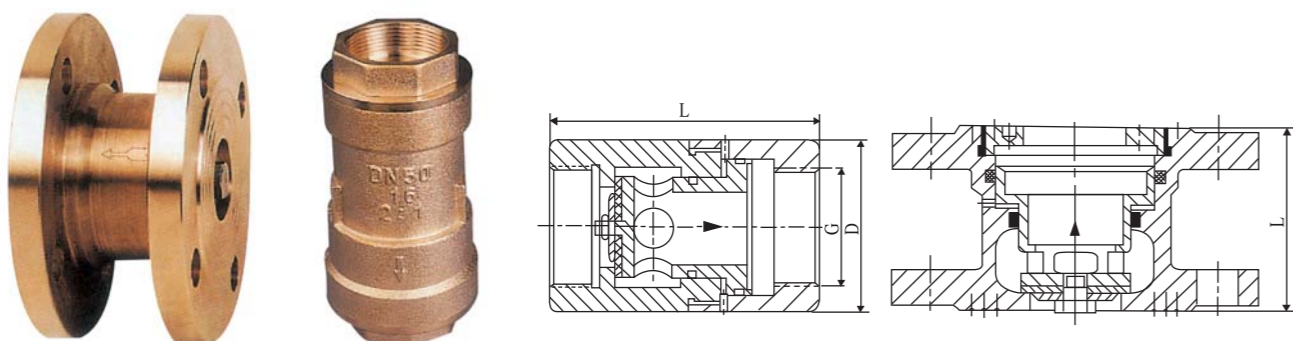
短系列比例式减压阀 Short series proportional reducing valve

※结构及用途

该短阀由阀体、活塞、压盖及O型圈、密封垫等零件组成。该阀在阀门内腔设置浮动式活塞，利用活塞两端不同的横截面积，从而形成进水与出水的压力差，达到减压目的。该产品即减“动压”又减“静压”，结构严谨、运行流畅、体积小重量轻，便于安装与维护，采用先进的工艺制造与表面处理，防腐防锈对水质绝无污染。本公司提供的标准压力比：2:1、3:1、4:1、5:1、5:2等，并可根据用户的要求设计特殊比例减压阀。

Structure and purpose

The short valve is made up of body, plunger, cover, O ring and gland etc. Float plunger is installed in internal body. utilizing the different pressure resulted from the different section area of both float plunger sides, the valve can reduce pressure. The product is of the compact structure, smooth action, small volume, light weight. So the valve is convenient to fix and maintain. Adopted advanced manufacturing and surface processes the valve will not pollute water from corrosion and antirust. we offer standard pressure ratio including: 2:1、3:1、4:1、5:1、5:2、and special ratios which are available on requests.



※主要技术参数 Main technology parameters

型号 Type	Y13X-10T Y13X-16T	Y43X-10T Y43X-16T
连接方式 Connecting way	内螺纹 Interior screw	法兰 Flange
适用介质 Suitable medium	水、气 Water, gas	
介质温度 Medium temperature	≤80℃	
额定工作压力 Rated pressure	PN10	PN16
压力误差 Pressure error	±2.5%	
最小开启压力 Lowest open pressure	2:1	0.2MPa
	3:1	0.3MPa

※主要外形尺寸 Main exterior dimensions

型号 Type	Y13X-16T(P) 2:1 3:1 3:2 5:1 5:2					
DN	15	20	25	32	40	50
G(inch)	1/2"	3/4"	1"	1 1/4"	1 1/2"	2"
L	80	80	90	100	110	120
D	50	50	54	60	68	80

※主要零件材料 Main part materials

零件名称 Name	材质 Material
阀体、阀盖 Body, Bonnet	铸铁、铸钢、青铜不锈钢 Cast iron, Cast steel, Bronze Stainless steel
活塞 Plunger	青铜或不锈钢 Bronze or stainless steel

型号 Type	公称压力 Nominal pressure	DN	L(mm)
YP43X-10 YP43X-16T(P) (B型)	PN10	50	85
		65	102
		80	122
	PN16	100	140
		125	160
		150	175
200	230		

法兰连接尺寸：铁制阀门按GB/T 17241.6-1998标准，钢制阀门按GB/T 9113-2010(RF)标准。
Flange connecting dimension: The iron valve accords to GB/T 17241.6-1998 standard and the steel valve to GB/T 9113-2010(RF)standard.

二十八、减压阀Y110、Y410、Y416、Y425-10.16.25系列 Reducing valve

减压稳压阀 Reducing/stable pressure valve

※结构及用途

Y110、Y410、Y416、Y425型减压稳压阀由阀体、阀盖、压缩弹簧、阀杆、活塞（膜片）、缸套、阀座及密封垫等零件组成。采用阀后压力直接传递并作用于活塞（膜片）上方，压力保持最佳平衡状态，达到减压，稳压。动作灵敏、性能可靠、使用寿命长。适用介质：冷热水、压缩空气及油类等。

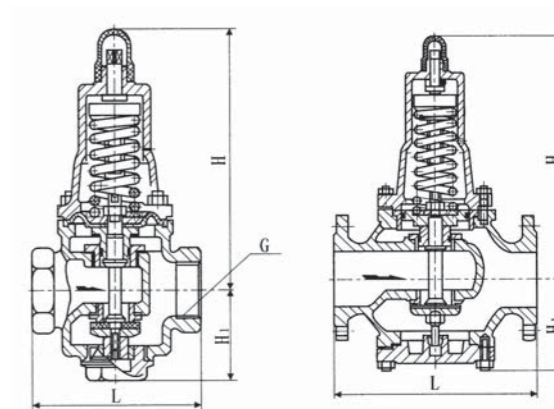
Structure and purpose

The series reducing/stable pressure valve is made up of body, bonnet, compression spring, spindle, plunger (dissepiment), valve seat and gland etc. Taking advantage of pressure of valve back which is directly transferred to and acts on the upper of plunger (dissepiment), the pressure of the valve keeps the best balance condition to arrive at reducing pressue purpose. The valve is of smooth action, reliable function, long life-span. The suitable mediums are water, compressed air and oil etc.



※主要技术参数 Main technology parameters

型号 Type	Y110、Y410	Y416、Y116	Y425
公称压力 Nominal pressure	PN10	PN16	PN25
试验压力(MPa) Test pressure	1.5	2.4	3.75
阀后压力调节范围 Valve back adjusting pressure range	0.1-0.6	0.1-1.0	0.2-1.6
动静压差 Static and dynamic different pressure	≤0.08	≤0.12	≤0.15
阀后调节范围误差 Valve back adjusting pressure range deviation	±10%	±12%	±15%
阀后压力稳定性不超过 阀前压力变化范围 The valve back pressure stability does not excess valve front pressure range	10%	12%	15%



※主要外形尺寸 Main exterior dimensions

型号 Type	Y410 Y416 Y425			Y110 Y116			
	L	H	H1	G (inch)	L	H	H1
公称通径 (DN)							
15	160	170	75	1/2"	100	135	41
20	160	170	75	3/4"	100	135	41
25	180	188	77	1"	120	158	45
32	200	192	82	1 1/4"	150	180	53
40	200	270	98	1 1/2"	150	196	56
50	220	270	98	2"	180	201	58
65	280	310	138				
80	310	403	152				
100	350	448	170				
125	450	570	222				
150	520	590	242				
200	550	640	262				

※主要零件材料 Main part materials

零件名称 Name	材质 Material
阀体、阀盖、下盖 Body, Bonnet, Down cover	灰铸铁、碳钢 Gray cast iron, Carbon steel
膜片 Dissepiment	尼龙强化橡胶 Nylon enhancing rubber
密封垫 Gland	丁腈橡胶 NBR
压缩弹簧 Compression spring	硅锰钢 Silicon- Manganese steel
活塞、缸套、阀杆 Plunger, Cylinder cover Spindle	不锈钢 Stainless steel

法兰连接尺寸：铁制阀门按GB/T 17241.6-1998标准，钢制阀门按GB/T 9113-2010(RF)标准。
Flange connecting dimension: The iron valve accords to GB/T 17241.6-1998 standard and the steel valve to GB/T 9113-2010(RF)standard.

二十九、减压阀YHT200P-10.16T系列 Reducing valve

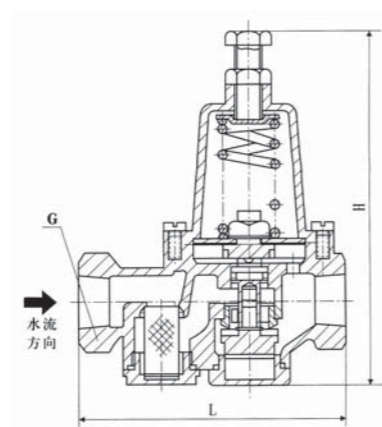
内螺纹减压阀 Inside screw reducing valve

※结构及用途

该阀为内螺纹连接，由阀体、阀盖、压缩弹簧、阀杆及膜片等组成，内部附有过滤网便于清除杂物。为一可直接调试减压阀，具有动作灵敏，性能可靠，使用寿命长，体型小巧，易于安装等特点。可水平或垂直安装于给水、消防系统及其他系统中。在一定范围内可控制该阀出口压力为相对固定值。

Structure and purpose

The valve is made up of body, bonnet, compression spring, spindle and diaphragm etc. The connecting type is internal screw. The inner filter net is helpful to efficiently remove sundries. It is of smooth action, reliable function, long life-span, small volume and can be adjusted directly. The valve can be fixed in the system of water supply, fire control and other systems horizontally or vertically. The inlet pressure can be controlled to a relative unchanged point in a range.



※主要技术参数 Main technology parameters

型号 Type	公称压力 Nominal pressure	试验压力(MPa)Test pressure		阀后压力调节范围 Valve back adjusting pressure range	最高流速 Highest flow (m/s)	介质温度 Working temperature	适用介质 Suitable medium
		壳体 Body	密封 Seal				
YHT200P-10T	PN10	1.5	1.1	0.09-0.8	6	≤80℃	水 Water
YHT200P-16T	PN16	2.4	1.76	0.1-1.2			

※主要技术参数 Main technology parameters

零件名称 Name	材质 Material
阀体、阀盖 Body, Bonnet	铝青铜 Aluminium bronze
过滤网、螺母、弹簧座 Filter net, Nut Spring seat	不锈钢 Stainless steel
压缩弹簧 Compression spring	60Si2Mn
O型圈 O ring	丁腈橡胶 NBR

※主要外形尺寸 Main exterior dimensions

公称通径(DN) Nominal dimension	尺寸 Dimension (mm)	
	L	H
15	112	170
20	112	183
25	135	189
32	165	242
40	192	273
50	231	307

三十、减压阀YZ11X、YG11X、YG41X-16.25T(P)系列 Reducing valve

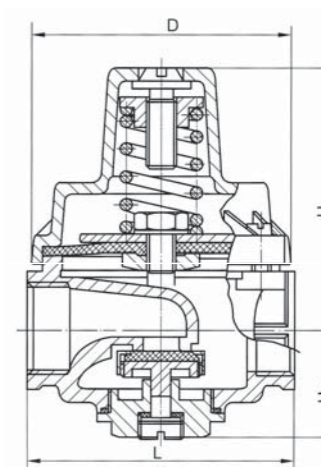
直接作用减压阀 Reducing valve for direct action

※结构及用途

该阀主要由阀体、阀盖、压缩弹簧、膜片、碟形卡具及阀瓣等零件组成。它的主要特点：性能可靠、经久耐用，耐脏防水垢，不需过滤器，不需旁通管，配管极其简单，能节省大量空间和成本。出口压力精密可调，在一般场合下出口压力不受进口压力的影响（出口压力的变化量是 ΔP_1 的8%）。极佳的水力特性，可满足多种减压要求，特别适用于支管减压系统。

Structure and purpose

The valve is made up of body, bonnet, compression spring, diaphragm, stirrup clamping apparatus and disc etc. The valve is of reliable performance, long life-span, enduring dirty. When fixed, it does not need filter, by-pass pipe. The tubing is simple, so the space and cost can be saved effectively. The outlet pressure can be adjusted minutely. Generally the inlet pressure will not change following outlet pressure (the variable of outlet pressure is 8% of ΔP_1). Because of the excellent characteristics of waterpower, the valve can satisfy multiple demands of reducing pressure, especially suitable to reducing system of branch pipe.



※住宅和工业减压阀外型尺寸

Exterior dimension for residential and industrial reducing valve

公称通径(DN) Nominal dimension		尺寸 Dimension (mm)				
DN	NPS	D	H	H1	C	F
10	3/8	92	120	48	92	-
15	1/2	92	120	48	92	-
20	3/4	108	130	55	108	-
25	1	123	160	60	123	-
32	1 1/4	155	180	77	155	240
40	1 1/4	172	205	84	172	260
50	2	198	235	105	198	288
65	2 1/2	215	270	118	215	305
80	3	234	300	143	234	330
100	4	260	350	120	250	385

注: F是法兰阀门结构长度

Note: F denotes valve structure length

法兰尺寸: 按GB/T 9113-2010标准。

The flange dimension accords to GB/T 9113-2010 standard.

※支管减压阀外型尺寸

Exterior dimension for Branch

公称通径(DN) Nominal dimension		尺寸 Dimension (mm)			
DN	NPS	D	H	H1	L
15	1/2	59	60	31	66
20	3/4	73	75	31	77
25	1	85	90	43	85

※主要技术参数 Main technology parameters

类型 Type	型号 Type	公称压力 Nominal pressure	公称通径(mm) Nominal dimension	连接形式 Type of connecting	阀体材料 Body material	出口压力(MPa) Outlet pressure	工作温度(℃) Working temperature
支管减压阀 Branch reducing valve	YZ11X-16T1 YZ11X-25T	PN16 PN25	15-25	内螺纹 Interior screw	青铜Bronze	0.05-0.55	≤80
	YZ11X-16P1 YZ11X-25P				不锈钢 Stainless steel		
住宅和工业 给水减压阀 residential and industrial reducing valve	YG11X-16T1 YG11X-25T	PN16 PN25	10-100	内螺纹 Interior screw	青铜Bronze	0.05-0.55	
	YG11X-16P1 YG11X-28P				不锈钢 Stainless steel		
	YG41X-16T1 YG41X-28T	PN16 PN25	32-100	法兰 Flange	青铜Bronze	0.05-0.55	
YG41X-16P1 YG41X-25P	不锈钢 Stainless steel						

三十一、调节阀T40H-16.25.40.64.100系列 Reducing valve

给水回转式调节阀 Water supply rotary regulating valve

※结构及用途

该阀主要由阀体、阀座、阀瓣、阀杆、阀盖等零件组成，适用于中、低压锅炉给水管和高压加热器疏水管上，通过转动圆筒形阀瓣使其与阀座形成的窗口面积改变，从而实现调节流量的目的。调节阀的回转启闭角度为60°，由调节阀上方的开度指示板来指示。可配用电动执行装置，实行远程自动化操作。

Structure and purpose

The valve is made up of body, valve seat, disc, spindle, bonnet etc. It is applicable to middle and low pressure boiler pipelines of water supply and high pressure drain pipe of heater. The area of window which is formed by disc and valve seat can be changed by rotating the cylinder disc to regulate flow. The rotative opening angle is 60° which is indicated by opening position pannel attached above the regulating valve. The electric actuator can be selected to operate automatically in remote.



※主要零件材料 Main part materials

零件名称 Name	阀体、阀盖 Body, Bonnet	阀座、阀瓣、阀杆 Valve seat, Disc, Spindle
T40H-16	灰铸件 Gray casting parts	不锈钢 Stainless steel
T40H-25 T40H-40 T40H-64 T40H-100	碳钢 Carbon steel	不锈钢 Stainless steel

※主要技术参数 Main technology parameters

公称通径 Nominal dimension (DN)	20	25	32	40	50	65	80	100	125	150	200	250	300
流通能力 Circulating capability Cv	6	12	13	25	52	60	150	165	260	300	520	780	1100
适用温度 Suitable temperature (°C)	T40H-16, ≤200°C, T40H-25、40、64、100, ≤250°C												
适用介质 Suitable medium	水、油类 Water、Oil												
流量特性 Flow characteristic	直线、等百分比 Line、Equal percent												

※主要外形尺寸 Main exterior dimensions

公称压力 Nominal pressure	尺寸 Dimension (mm)													
	DN	20	25	32	40	50	65	80	100	125	150	200	250	300
PN16 PN25	L	160	180	200	220	250	280	310	350	400	450	550	650	800
	L1	150	160	180	210	245	260	290	320	370	410	480	540	700
	H	180	200	205	210	230	240	250	280	290	300	325	330	450
	H1	90	100	100	120	120	130	150	150	190	205	270	270	335
PN40 PN64 PN100	L	180	200	220	240	270	300	330	380	450	500	550	650	800
	L1	160	170	200	230	260	290	320	350	400	440	530	600	760
	H	185	210	220	225	250	250	260	300	310	320	340	360	480
	H1	100	110	110	135	135	140	160	180	200	220	230	300	370

钢制阀门按GB/T 9113-2010标准。 The flange of to steel valve GB/T 9113-2010 standard.

三十二、调节阀ZYC-16-H3T系列 Reducing valve

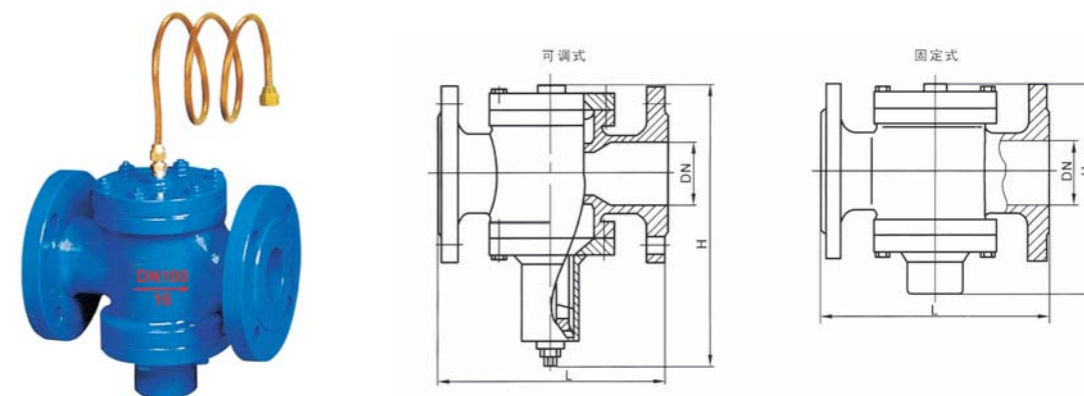
自立式压差控制阀 Different pressure control valve for automation

※结构及用途

该阀是一种利用介质自身的压力变化进行自我控制而保持流经被控系统介质压差不变的阀门。适用于供暖方式采用双管系统的压差控制，保证系统的压差基本不变，降低噪音，平衡阻力，消除热网和水力失调。

Structure and purpose

The valve is a kind of automatic controlling valve which sustains the unchanged pressure difference of flow through the controlled system depending on the pressure itself change. It is applicable to heating way which is controlled by pressure difference of both lines system, so the valve can guarantee a constant pressure difference, reduce noise, balance resistance, eliminate heating and maladjusted waterpower.



※主要技术参数 Main technology parameters

型号 Type	公称压力 Nominal pressure	壳体试验压力 Shell test pressure	压差控制范围 Range of pressure difference	
			定压差型 Constant pressure	可调压差型 Adjusted perssure
ZYC-H3T	PN16	2.4MPa	10KPa、20KPa、30KPa	10~30KPa

※主要外形尺寸 Main exterior dimensions

公称通径(DN) Nominal dimension	连接方式 Type of connecting	L(mm)	H(mm)		流量m³/h Flow	适用介质 Suitable medium	介质温度 Medium temperature	主要零件材料 Main material
			定压差型 Constant pressure	可调压差型 Adjusted pressure				
15	螺纹 Screw	100	95	145	0.2-1	水 Water	0~120°C	阀体、上盖和下盖为铸铁、阀芯为铜、膜片为尼龙强化橡胶、弹簧为不锈钢。
20		110	110	150	0.3-1.5			
25		115	130	165	0.5-2			
32	法兰 Flange	130	140	190	1-4			
40		200	190	340	1.5-6			
50		215	205	355	2-8			
65		230	240	390	3-12			
80		275	300	500	5-20			
100		290	350	550	10-30			
125		310	380	580	15-45			

法兰连接尺寸：铁制阀门按GB/T 17241.6-1998标准，钢制阀门按GB/T 9113-2010(RF)标准。
Flange connecting dimension: The iron valve accords to GB/T 17241.6-1998 standard and the steel valve to GB/T 9113-2010(RF)standard.

三十三、调节阀T(S)40H、T(L)41H-10.16.25系列 Reducing valve

手动调节阀、节流阀 manual and self-locking manual regulating valve



※结构及用途

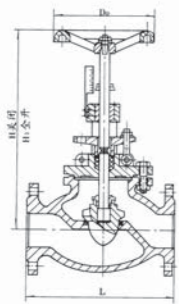
该阀主要用于城市集中供热，区域供热，循环水工程，热电厂管网和制冷空调等工程中，具有截止、节流和调节流量的作用。

Structure and purpose

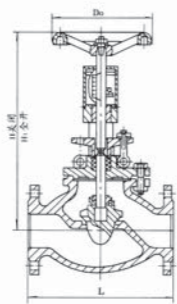
The valve is applicable to center heat supply in city, heat supply in district, water cycle engineering, pipe net of heat and power plant and refrigerative air conditioning, its functions are as follows: closing, throttling and adjusting flow. It is a kind of throttle device to change aperture and replace throttling plate.

※主要零件材料 Main part materials

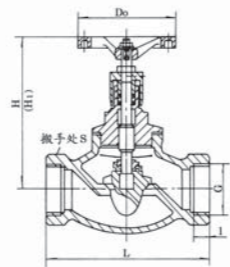
零件名称 Name	材质 Material
阀体、阀盖、填料压盖 Body, bonnet, gland	灰铸铁、铸钢、不锈钢 Gray cast iron, cast and stainless steel
阀杆、阀瓣、密封圈 Spindle, disc, packing ring	不锈钢 Stainless steel
指示盘、阀杆螺母、螺帽套 Indicator panel, spindle nut, nut cover	黄铜 Brass



法兰连接手动调节阀(TJ40H型)
(L41H型)



法兰连接手动调节阀(TS40H型)



内螺纹连接手动调节阀(TJ10H型)

※主要外形尺寸 Main exterior dimensions

型号 Type	DN	尺寸 Dimension (mm)																		
		15	20	25	32	40	50	65	80	100	125	150	200	250	300	350	400	450	500	600
TJ40H-10 TS40H-10	L													730	850	980	1100	1125	1150	1200
	H													914	914	968	968	1100	1440	1790
	H1													1074	1074	1168	1168	1350	1440	1790
	D0																			
TL41H-16C TJ40H-16C TL41H-16 TS40H-16C TL41H-25 TS40H-25	L	130	150	160	180	200	230	290	310	350	400	480	600							
	H	160	160	182	192	250	264	380	413	466	540	623	687							
	H1	172	172	195	210	273	290	426	468	530	613	698	777							
	D0	65	65	80	80	120	120	200	200	240	260	360	400							
TJ10H-10 TJ10H-16C TJ10H-25	L	90	100	120	140	170	200													
	H	150	160	182	192	250	264													
	H1	160	170	197	207	270	284													
	D0	80	80	80	90	100	120													

法兰连接尺寸：铁制阀门按GB/T 17241.6-1998标准，钢制阀门按GB/T 9113-2010(RF)标准。
Flange connecting dimension: The iron valve accords to GB/T 17241.6-1998 standard and the steel valve to GB/T 9113-2010(RF) standard.

三十四、平衡阀KPF-16C系列 Balanced valve

法兰式平衡阀 Flange balanced valve

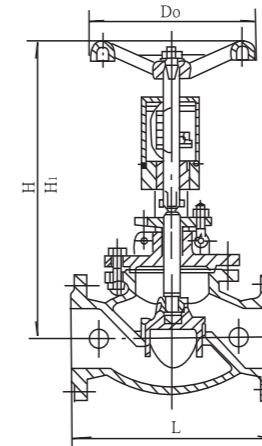
※结构及用途

该阀是一种具有特殊功能的阀门，具有良好的流量特性，合理分配流量，实现流量定量，有效地解决供热（空调）系统中存在的室温冷热不均问题。由于该阀上设有开启度指示，开度锁定装置及用于流量测定的测压小阀，所以只要在各支路及用户入口装上适当规格的平衡阀，并用专用智能仪表进行一次调试后锁定，将系统的总流量控制在合理范围内，从而克服了“大流量，小温差”的不合理现象。该产品是供热系统中的理想产品，最高介质温度为200℃，欢迎选购。

Structure and purpose

The valve has the special functions which include good flow characteristics, reasonable flow distributing, it also can actualize flow measurable and solve the heat supply (conditioner) problem of different temperature in rooms. As the valve is equipped with open indicator, open degree locked device and small valve for measuring pressure, the proper specification valves can be fixed in branch or inlet and go to adjust with intellectual instrument turn fix to control volume of flow in an reasonable range. At the same time, it can eliminate the unreasonable phenomenon of huge flow and small temperature difference. The product is applicable to heat supply system and the highest medium temperature is 200℃.

※主要外形尺寸 Main exterior dimensions



公称压力 Nominal pressure	DN	尺寸 (mm)			
		L	H	H1	D0
PN16	15	130	150	160	80
	20	150	160	170	80
	25	160	182	197	80
	32	180	192	207	90
	40	200	250	270	100
	50	230	264	284	120
	65	290	380	410	200
	80	310	413	448	200
	100	350	466	506	240
	125	400	540	595	240
	150	480	623	688	360
	200	600	687	762	400
250	730	782	867	500	
300	850	914	1009	500	
350	980	968	1073	680	
400	1100	1037	1152	680	
500	1150	1440	1440		
600	1200	1790	1790		

※主要技术参数 Main technology parameters

公称压力 Nominal pressure	试验压力 Test pressure(MPa)		工作压力 Working pressure(MPa)		工作介质 Working medium	介质温度 Medium temperature
	壳体 Shell	密封 Sealing	P20	P16		
PN16	2.4	1.6	1.5	1.6	水(water), 蒸气(vapour)	≤200℃

※主要零件材料 Main part materials

零件名称 Name	阀体、阀盖、阀瓣、手轮、填料压套 Body, bonnet, disc, hand wheel, gland	阀杆、密封圈 Spindle Sealing ring	阀杆螺母 Spindle nut	填料 Filling
材料 Material	铸铁、铸钢 Cast iron, Cast steel	不锈钢 Stainless steel	铸铜 Cast copper	膨胀石墨 Expanded graphite

※平衡阀安装使用事项 Notice to installation

平衡阀的安装位置：平衡阀可以安装在供水或回水管上，一般我们建议装在回水管上，尤其对于高温环路为方便调试，更要装在回水管上，安装了平衡阀的供（回）水管就不必再设截止阀。

Fixing position of balanced valve: it can be fixed in the pipe of water supply or back water. General we recommend the valve fixed in the pipe of back water, especially in high temperature cycle, in order to install conveniently, the valve must be fixed in the pipe of back water. Pipe equipped with balanced valve is unnecessary to fix the globe valve.

铁制阀门按GB/T 17241.6-1998标准，钢制阀门按GB/T 9113-2010RF标准。
Iron valve accords to GB/T 17241.6-1998, steel valve to GB/T 9113-2010RF Standard.

三十五、平衡阀SP15(45)-10.16系列

Balanced valve

数字锁定平衡阀

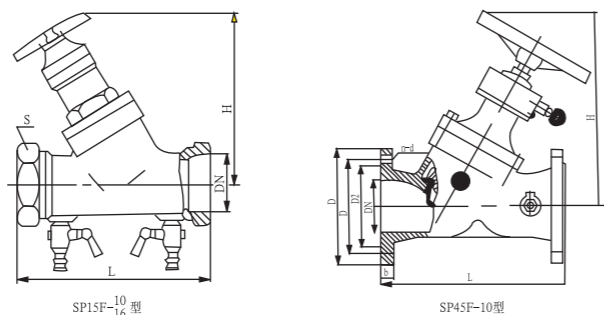
Number lock balanced valve

※结构及用途

该阀适用于水、油等各种液体管路系统，是一种较为理想的新型节能阀门。阀门设有刻度数字显示、可直观调到任一位置，并可锁定。平衡阀可以有效解决管网系统中存在着水力失调问题，准确调节流量，用以改善管网系统中液体流动状况，达到管网液体平衡和节能的目的。

Structure and purpose

The valve is applicable to various liquid pipeline system such as water, oil. It is a new type of valve with perfect saving energy. There is marked digital scale panel which can be adjusted to any position and locked. The balanced valve can solve effectively the existed problem of waterpower in the pipeline net system and regulate flow accurately, so it improves the flowing condition to balance and save energy of liquid.



※SP15F型主要外型及连接尺寸
Main exterior and connecting dimension

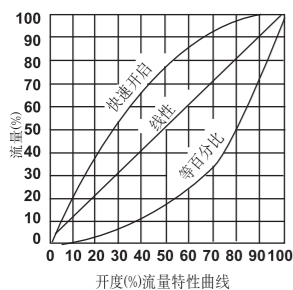
※主要技术参数 Main technology parameters

公称压力 Nominal pressure	PN10	PN16	DN	ZG(inch)	L	S	H	Wt(kg)
壳体试验压力 Shell test pressure	1.5	2.4	15	1/2"	100	27	128	1
密封试验压力 Seal test pressure	1.1	1.76	20	3/4"	115	33	128	1.5
适用温度 Suitable temperature	≤120℃		25	1"	125	46	130	1.8
特性曲线 Characteristic curve	等百分比 Equal percent		32	5/4"	140	55	150	2
适用介质 Suitable medium	水、油 Water, oil		40	3/2"	160	55	187	2.5

※SP45F-10.16型主要外型及连接尺寸 Main exterior and connecting dimension

DN	32	40	50	65	80	100	125	150	200	250	300	350
L	180	200	230	290	310	350	400	480	550	622	698	787
H	230	242	250	260	329	340	424	454	517	573	617	705

铁制阀门按GB/T 17241.6-1998标准，钢制阀门按GB/T 9113-2010RF标准。
Iron valve accords to GB/T 17241.6-1998, steel valve to GB/T 9113-2010RF Standard.



下图为几种阀门的流量特性曲线，本厂生产的是其中等百分比特性阀门。从曲线图上可知给开度一个相等的变化率，则流量的变化率相特点是开度大时流量大，开度小时流量小。而工程中大多在流量大时应用，等百分比阀门恰恰适用这种要求。根据这一特点，可以自如的预置某一流量（快开阀门和线性阀门不具备这种功能）而且当需要变化时还能知道变化量，达到理想状态。
The left curve shows the flow characteristic of several valves, we product equal percent valve. It can be known that the same opening degree changed cause the same flow changed. Shown in the curve, the valve characteristics that the flow increase or decrease following the opening degree increase or decrease respectively. The large flow is a characteristic in the engineering projects, this kind of valve is just to satisfy the request. According to the condition, the flow could be preset conveniently (with not the function to prompt opening valve or lined type valve). The changable value can be known if requested, making the value arrive at an ideal status.

三六、排气阀HT-ARVX-10.16系列

Exhaust valve

微量排气阀

Small exhaust valve

※结构及用途

单杆式微量排气阀由浮球、杠杆、杠架、阀座等组成、内部采用标准排气孔径1/16"、适用PN1.6MPa工作环境，安装在高层建筑，供排水，小型泵站等用以保护、改善管路系统的输水效率及节约能源。

Structure and purpose

Lever small exhaust valve is made up of float ball, lever, lever shelf, valve seat etc. It adopts standard release hole of $\Phi 1/16"$ and is applicable to working pressure of 1.6MPa. The valve can be fixed in skyscraper, pumping station of drainage to protect and improve water supply efficiency and save energy in the pipeline system.

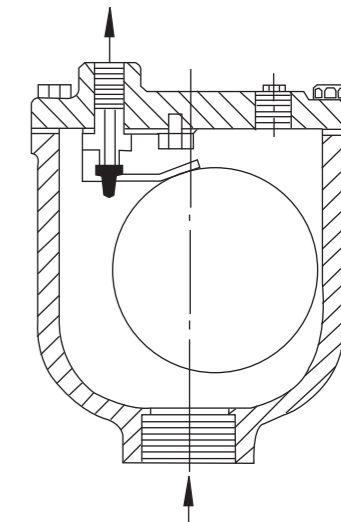
※主要零件材料 Main part materials

名称 Name	材质 Material
阀盖 Bonnet	球铁 Nodular cast iron
阀座 Valve seat	304不锈钢 stainless steel
杠架 Lever shelf	304不锈钢 stainless steel
塞头 Stopper end	合成橡胶 (synthetic)buna, viton
杠杆 Lever	304不锈钢 stainless steel
浮球 Float ball	304不锈钢 stainless steel
阀体 Body	球铁 Nodular cast iron
螺栓 Bolt	镀锌钢制 Galvanize steel



※主要外形尺寸 Main exterior dimensions

公称通径 Nominal dimension (DN)	进口尺寸 Inlet dimension (inch)	出口尺寸 Outlet dimension (inch)	排气孔尺寸 Air-bleed hole (mm)	外形尺寸 Exterior dimension 长Length × 宽Width × 高Height (mm)
15	1/2"	1/4"	1.6	102 × 86 × 127
20	3/4"	1/4"	1.6	102 × 86 × 127
25	1"	1/4"	1.6	102 × 86 × 127



三十七、排气阀HT/CARX-10.16系列 Exhaust valve

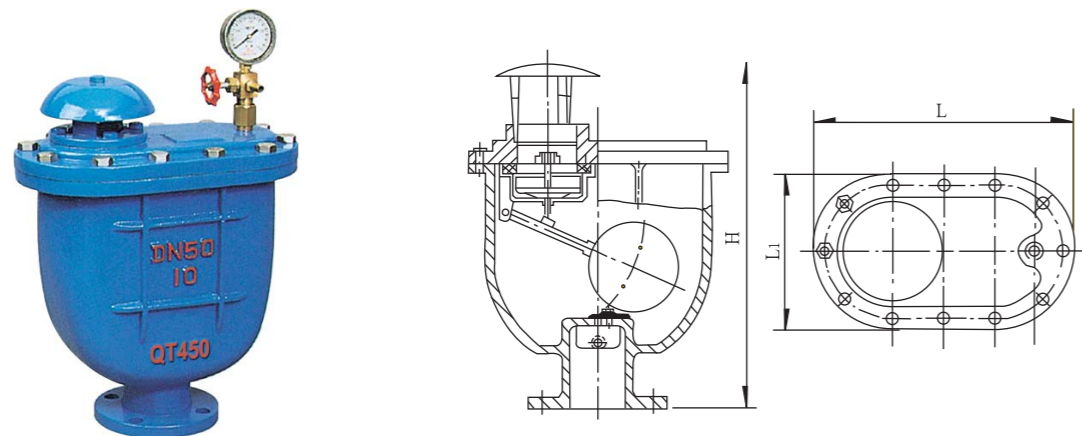
复合式排气阀 Complex exhaust valve

※结构及用途

该阀由阀体、浮球、杠杆、阀瓣等组成，安装在原出口处或送配水管路中，用来排除集积在管路中的空气，以提高管线及水泵的使用效率，当管路内一旦产生负压时，此阀能迅速吸入外部空气，以防止管路因负压而损坏，从而确保管路安全。

Structure and purpose

The valve is made up of body, float ball, lever and disc etc. Generally, it is fixed in outlet or water supply pipe to discharge the air gathered in the pipe so as to improve the efficiency of the pipes and the pumps. While the negative pressure is presented, the valve promptly absorb the exterior air to prevent the pipe from destroy due to the negative pressure, which ensures the safety of pipeline.



※主要技术参数 Main technology parameters

型号 Type	试验压力 Test pressure(MPa)		公称通径(mm) Nominal dimension	连接形式 Connecting	公称压力 Nominal pressure
	壳体 Shell	密封 Sealing			
HT/CARX-10	1.5	1.1	25-32	内螺纹Screw	PN10
			50-200	法兰Flange	
HT/CARX-16	2.4	1.76	50-200	法兰Flange	PN16

※主要零件材料 Main part materials

零件名称 Name	阀体 Body	阀盖 Bonnet	浮球 Float ball	杆杠架 Lever shelf	杆杠 Lever	塞头 Stopper end
材料 Material	球墨铸铁 Nodular cast iron		不锈钢 Stainless steel		铝青铜 Aluminium bronze	

※主要外形尺寸 Main exterior dimensions

公称通径(DN) Nominal dimension	尺寸 Dimension (mm)				
	L	L1	H	Z	D
25	280	176	330	-	-
32	280	176	330	-	-
50	360	208	475	4	17.5
65	360	208	475	4	17.5
80	400	244	552	8	17.5
100	465	275	623	8	17.5
150	537	332	686	8	22
200	537	332	686	8/12	22

法兰连接尺寸按GB/T 17241.6-1998标准 The flange connecting dimension accords to GB/T 17241.6-1998 standard.

三十八、排气阀P41(42)X-10系列 Exhaust valve

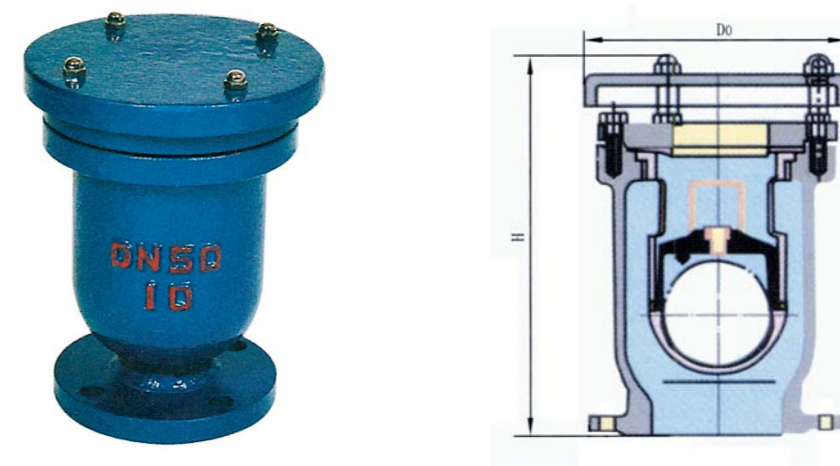
单口快速排气阀 Single mouth quick exhaust valve

※结构及用途

该阀由阀体、阀盖、浮球等组成，安装于工作介质为水的管路上，以提高输送水设备的效率和保护管道不致变形破裂，是管道的必备之设备，快速排（吸）气阀是用于压力输送水管道的吸气和排气。并具有能够排除管道中的气体，减少阻力，节约能源；排气能力是普通双孔排气阀多倍；当管道负压时，本产品能快速自动吸气，防止管道破裂；浮球为不锈钢，使用寿命长，安全可靠。

Structure and purpose

The valve is made up of body, bonnet, float ball etc. It is fixed in water pipeline to improve equipment efficiency and protect pipe from cracking, so the valve is a necessary device in the pipe. The quick exhaust (intake) valve is used to exhaust and intake in water pipe. It has the characteristics of removing gas in pipe, reducing resistance and saving energy. The capacity of the exhaust is several times than common exhaust valve. When pipe occurs negative pressure, the product can absorb air quickly and automatically avoid pipe from cracking. The material of float ball is stainless steel, the service life is long and the performance is reliable and safe.



※主要技术参数 Main technology parameters

壳体试验压力 Shell test pressue	阀体材料 Body material	浮球材料 Float material	适用介质 Suitable medium	介质温度 Medium temperature
1.5MPa	铸铁 Cast iron	不锈钢 Stainless steel	清水 Pure water	≤80℃

※主要外形尺寸 Main exterior dimensions

公称通径(DN) Nominal dimension	25	50	80	100	150	200
H	240	250	335	335	435	475
Do	185	210	250	250	320	380

法兰连接尺寸按GB/T 17241.6-1998标准 The flange connecting dimension accords to GB/T 17241.6-1998 standard.

三十九、排气阀KP-10系列 Exhaust valve

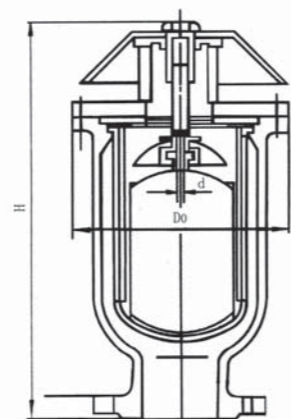
单口快速排气阀 Single mouth quick exhaust valve

※结构及用途

该阀由阀体、阀盖、浮球和托架等组成，安装于介质水的管路上，作为快速排除管道内气体的设备，以提高输送水设备的效率和保护管道不致变形破裂，是管道的必备之设备。并具有能够排除管道中的气体，减少阻力节约能源；当管道负压时，本产品能快速自动吸入空气防止管道破裂；排气能力是普通双孔排气阀多倍；浮球托架为不锈钢，使用寿命长，安全可靠。

Structure and purpose

The valve is made up of body, bonnet, float ball and bracket etc. which is fixed in water pipeline as a device which removes gas in the pipe quickly. It can improve the efficiency of water transporting and protect the pipe from destroy and cracking. It is one of the necessary devices in the pipeline, because it can discharge the gas in the pipe, efficiently reduce resistance and save energy. When the pipe is in the negative pressure, the product can intake air quickly and automatically to protect against pipe cracking. The capacity of escaping is superior to the common exhaust valve with double holes. The material of float ball bracket is stainless steel, the service life is long and the performance is reliable and safe.



※主要技术参数 Main technology parameters

壳体试验压力 Shell test pressue	阀体材料 Body material	浮球托架材料 Float ball bracket	适用介质 Suitable medium	介质温度 Medium temperature
1.5MPa	铸铁 Cast iron	不锈钢 Stainless steel	清水 Pure water	≤80℃

※主要外形尺寸 Main exterior dimensions

公称通径(DN) Nominal dimension	25	50	80	100	150	200
H	285	320	400	400	520	585
Do	155	170	220	220	295	335

法兰连接尺寸按GB/T 17241.6-1998标准
The flange connecting dimension accords to GB/T 17241.6-1998 standard.

四十、排气阀QB2-10系列 Exhaust valve

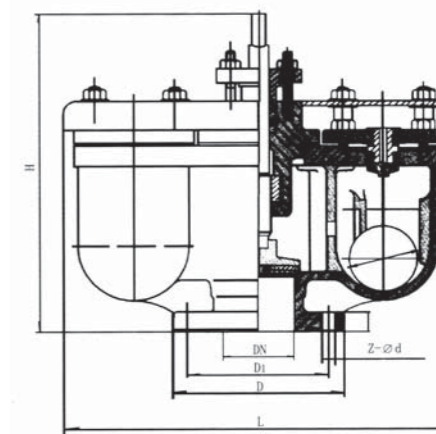
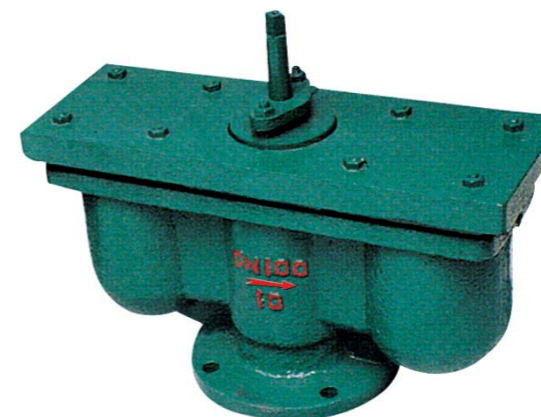
双口自动排气阀 Double mouths automatic exhaust valve

※结构及用途

该阀由阀体、阀盖、浮球等组成，安装于工作介质为水的管道上，作为排除管道内气体的设备，以提高输送水设备的效率和保护管道不致变形、破裂，是管道必备之设备。并具有能够排除管道中的气体，减少阻力，节约能源；当管道负压时本产品能自动吸入空气防止管道破裂；浮球为不锈钢，使用寿命长，安全可靠。

Structure and purpose

The valve is made up of body, bonnet and float ball etc. It is fixed in water pipeline and serves as an equipment of removing gas inside the pipe. It improves the equipment efficiency and protects the pipe against cracking and is a kind of necessary equipment in the pipe. The characteristics include promptly removing gas, reducing resistance and saving energy. When the pipe is in the negative pressure, the product will automatically absorb the air to avoid the pipe against cracking. The float ball is stainless steel, the service life is long and the performance is reliable and safe.



※主要技术参数 Main technology parameters

壳体试验压力 Shell test pressue	阀体材料 Body material	浮球材料 Float material	适用介质 Suitable medium	介质温度 Medium temperature
1.5MPa	铸铁 Cast iron	不锈钢 Stainless steel	清水 Pure water	≤80℃

※主要外形尺寸 Main exterior dimensions

公称通径(DN) Nominal dimension	50	80	100	150	200
C	375	415	415	585	640
H	285	335	335	425	450

法兰连接尺寸按GB/T 17241.6-1998标准
The flange connecting dimension accords to GB/T 17241.6-1998 standard.

四十一、过滤器YGL11H(41H)-10.16.25系列 Filter

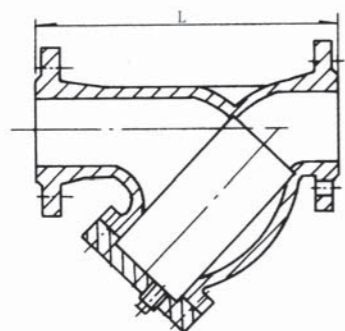
Y型过滤器 Y type filter

※结构及用途

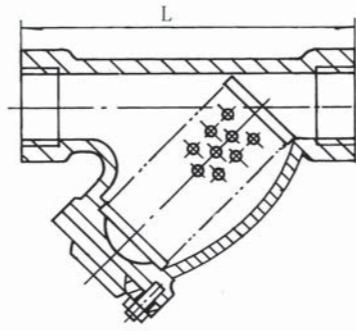
该过滤器由壳体、排污盖、滤网等组成，是输送介质的管道系统所不可缺少的一种装置，其作用是清除介质中的机械杂质，以保护设备管道上的配件免受磨损和堵塞。内部件全部采用不锈钢，坚固耐用。该过滤器体积小、滤眼细、阻力小、效率高、安装检修方便、成本低、维修方便。

Structure and purpose

The filter is made up of body, blow-off cover and filter screen etc. It is a necessary device in pipe system of transporting medium, because it can remove physical impurity from medium to protect fittings of pipe against abrasion and jamming. The material of internal parts is stainless steel. The filter has characteristics of small volume, thin filter hole, little resistance, high efficiency, low cost, convenience to fix and maintain.



YGL41H



YGL11H

※主要技术性能

- 1、适用介质：水、油、气；
- 2、适用介质温度：≤200℃；
- 3、过滤网规格为10目/英寸，20目/英寸，30目/英寸，40目/英寸，60目/英寸，100目/英寸；
- 4、过滤网局部阻力系数2.2，在介质额定流速下阻力为0.1-0.2水柱。

Main technology performances

- 1、Suitable medium: water, oil, gas;
- 2、Suitable temperature: ≤200℃;
- 3、Filter specification: 10hole/inch, 20hole/inch, 30hole/inch, 40hole/inch, 60hole/inch, 100hole/inch;
- 4、filter part resistance modulus is 2.2, in the case of rated flow velocity, the resistance is 0.1-0.2 water column.

※主要外形尺寸 Main exterior dimensions

公称通径(DN) Nominal dimension	L	公称通径(DN) Nominal dimension	L	公称通径(DN) Nominal dimension	L
15	140	20	150	25	160
32	180	40	200	50	220
65	260	80	310	100	350
125	400	150	450	200	500
250	550	300	580	350	760
400	800	450	900	500	1000

法兰连接尺寸：铁制阀门按GB/T 17241.6-1998标准，钢制阀门按GB/T 9113-2010(RF)标准。
Flange connecting dimension: The iron valve accords to GB/T 17241.6-1998 standard and the steel valve to GB/T 9113-2010(RF)standard.

四十二、过滤器YSTF-10.16系列 Filter

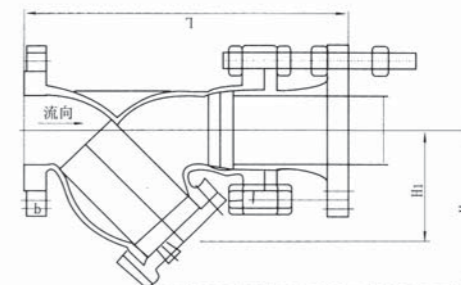
Y型伸缩拉杆式过滤器 Flexible drawing lever Y type filter

※结构及用途

Y型伸缩拉杆型过滤器是Y型过滤器与伸缩接头组合，主要用于高层建筑、多层建筑或工厂内给排水配管，通常安装于减压阀、泄压阀、定水位阀或其它主要设备的进口端，便于清除杂物或安装拆卸以保证阀类或设备之正常使用。

Structure and purpose

Y type filter with flexible drawing lever is made up of Y type filter and flexible joint. It is applicable to water supply and drainage pipe in skyscraper, multilayer building, or factory. Generally it can be fixed in the inlet of reducing valve, atmospheric valve, water level valve or other main equipments, so the filter can be convenient to remove sundries to ensure valve or equipment working in order.



※主要技术参数 Main technology parameters

型号 Type	公称压力 Nominal pressure	密封试验压力(MPa) Seal test pressure	工作压力(MPa) Working pressure	适用介质 Suitable medium	适用温度 Suitable temperature
YSTF-10	PN10	1.1	1.0	水、油、气 Water, Oil, Gas	≤80℃
YSTF-16	PN16	1.76	1.6		

※主要零件材料 Main part materials

零件名称 Name	管体 Pipe body	滤网 Filter net	伸缩拉杆 Flexible lever	O型圈 O ring
材料 Material	铸铁、铸钢、铜合金 Cast iron, Cast steel, Copper alloy	不锈钢 Stainless steel	碳钢 Carbon steel	丁腈橡胶 NBR

※主要外形尺寸 Main exterior dimensions

公称通径(DN) Nominal dimension	L	H1	H
50	300	155	195
65	320	183	245
80	380	210	295
100	430	250	344
125	500	305	415
150	550	358	485
200	650	450	602
250	775	503	710
300	900	578	815
350	1025	598	844
400	1150	618	872

法兰连接尺寸：铁制阀门按GB/T 17241.6-1998标准，钢制阀门按GB/T 9113-2010(RF)标准。
Flange connecting dimension: The iron valve accords to GB/T 17241.6-1998 standard and the steel valve to GB/T 9113-2010(RF)standard.

四十三、过滤器SRB-10.16系列 Filter

篮式过滤器 Basket filter

※结构及用途

该过滤器由壳体、排污盖、滤网、螺柱等组成，是除去液体中含有少量固形物的小型设备，可保护压缩机、泵和其它设备及仪表等正常工作；也是提高产品纯度，净化气体的小型设备。

Structure and purpose

The filter is made of body, blow-off covering, filter screen and bolt etc. It is a minitype equipment which can remove a few solid substance in liquid, to protect compressor, pump and other equipment in working normally, it also can improve product purity and purge gas.

※主要技术参数 Main technology parameters

公称压力 Nominal pressure	PN10	PN16	压差(MPa) Differential pressure	适用介质 Suitable medium	介质温度 Medium temperature
壳体试验压力(MPa) Shell test pressure	1.5	2.4	0.05~0.15	水、油、气 Water, Oil, Gas	≤200℃

※主要外形尺寸 Main exterior dimensions



直通篮式过滤器 Straight way in basket filter

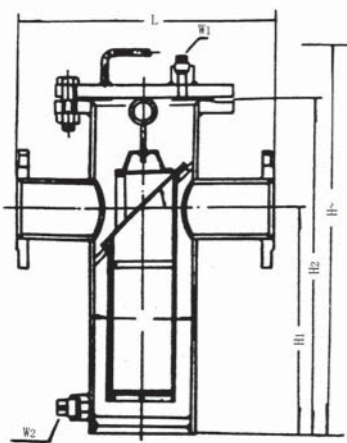
DN	Φ	L	H1	H2	~H	W(in)	WT(kg)	
							PN2.0	PN5.0
25	76	220	100	260	480	R3/8	8.9	15.7
32	76	220	105	270	495	R3/8	11.8	19.2
40	114	280	120	300	550	R3/8	16.4	23.6
50	114	280	120	300	550	R1/2	20.0	28.9
65	140	330	130	350	650	R1/2	29.6	48.4
80	168	340	140	400	740	R1/2	38.8	65.3
100	219	420	160	470	880	R3/4	71.0	126.3
150	273	500	190	620	1175	R3/4	120.5	248.0

直通篮式过滤器 Straight way in basket filter

DN	D0	n-Y	Φ	L	H1	H2	H3	~H	W(in)	WT(kg)
200	290	4-16	325	560	540	230	1180	1875	R3/4	327.1
250	375	4-16	426	660	650	270	1350	2170	R3/4	472.3
300	420	4-16	480	750	860	320	1620	2690	R3/4	624.9
350	460	4-20	500	800	1010	370	1830	3085	R1	897
400	500	4-20	550	840	1150	400	2020	3445	R1	924.6
450	550	4-24	600	960	1310	440	2220	3810	R1	1084.5
500	640	4-24	700	1080	1440	470	2410	4145	R1	1587.6

高低接管篮式过滤器 Height and low adapter basket filter

DN	Φ	L	H1	H2	H3	~H	W(in)	WT(kg)	
								PN2.0	PN5.0
25	76	220	110	70	280	520	R3/8	9.6	12.5
32	76	220	110	70	285	525	R3/8	12.9	16.8
40	114	280	120	100	340	630	R3/8	18.6	24.5
50	114	280	120	100	340	630	R1/2	22.7	29.3
65	140	330	160	110	400	750	R1/2	33.3	40.6
80	168	340	180	140	460	860	R1/2	44.3	55.2
100	219	420	220	170	550	1040	R3/4	53.0	103.3
150	273	500	310	220	720	1375	R3/4	140.0	181.5



法兰连接尺寸：铁制阀门按GB/T 17241.6-1998标准，钢制阀门按GB/T 9113-2010(RF)标准。
Flange connecting dimension: The iron valve accords to GB/T 17241.6-1998 standard and the steel valve to GB/T 9113-2010(RF)standard.

四十四、过滤器ZPG-10.16系列 Filter

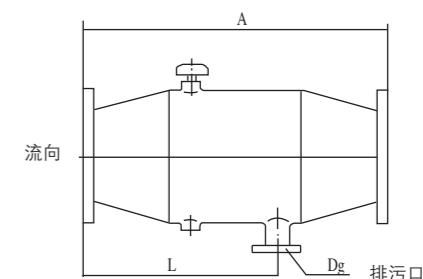
反冲洗排污过滤器 Opposed wash and blow-down filter

※结构及用途

ZGP型过滤器是一个能使用低质水进行工业冷却的过滤器，同时也可用于其它需要过滤的工艺过程，它具有冲洗排除杂质功能，一般安装在换热器及其它执行机构的前面，定期冲洗排除杂质。在正常情况下，转向阀开启，水流经过滤器筒过滤后，由出口排出。当排污阀门开启后，通过过滤器液体总流量增加，流速增大，冲动了粘在过滤器管壁上的杂质，杂质由排污口排出。当转向阀关闭，排污阀开启时，水流被迫从过滤筒的进口段网孔进入过滤筒外侧，大部分从出口流出，一部分又从过滤器外部经杂质收集段网孔进入过滤筒内部，过程滤筒产生了反冲洗，达到从过滤筒外部冲洗粘附在网孔上杂质的效果，杂质仍通过排污口排出。

Structure and purpose

ZGP type filter can carry out industry cooling using low quality water. Meanwhile it also can be applied to other filtering technics process, the filter has the function of removal of impurity, generally it is fixed in front of heat exchanger or other executing institution which swash impurity periodic. Under normal condition, turning valve on, the flow pushes-out from outlet through filter cansiter. When blow-down valve opens, the total flow through filter increase and velocity of flow aggrandize which impulse impurity pasting on the tube wall, so the impurity is eliminated through drain outlet. Turning valve off and blowing-down valve on, the flow is forced to enter filter cansiter exterior from inlet mesh of filter cansiter, the most pour from outlet, some enter into filter cansiter interior from impurity collected place of filter cansiter exterior, the flow swash contrary to filter cansiter, so the impurity pasting on the mesh can be eliminated, it also is discharged through the drain outlet.



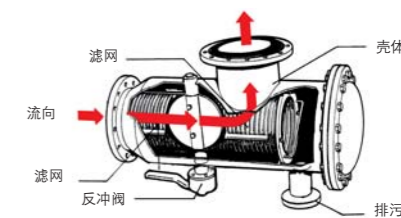
※主要技术性能 Main technology performances

1. ZPG型过滤器在全流量下能正常工作，及保持高流量，又具有低的压力降，避免了由于流速低而造成的表面污渍。
2. 直接安装在管网系统上，不需要任何支撑结构。节省空间。
3. 冲洗排污，过往不需要安装旁通路、拆卸排污。

1. ZPG filter can work normally in full flow, and keep high flow, it also has low differential pressure, so the surface feculence can be avoided because of high flow.
2. It can be fixed in pipeline system directly without any upholding structures.saving place.
3. It is automatic to swash and blow-off, it need not fix by-pass or take down to blow-off.

※主要外形尺寸 Main exterior dimensions

规格 Specification	A	L	排污口 Drain outlet
ZPG-I-100	350	260	32
ZPG-I-125	438	326	40
ZPG-I-150	525	390	50
ZPG-I-200	700	520	65
ZPG-I-250	875	650	80
ZPG-I-300	1050	780	100
ZPG-I-350	1200	885	125
ZPG-I-400	1400	1040	150
ZPG-I-450	1550	1145	150
ZPG-I-500	1700	1250	150
ZPG-I-600	2000	1460	200



四十五、止回阀H41H-16.25.40.64.100系列

Check valve

升降式止回阀

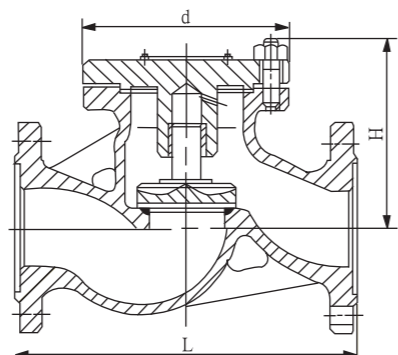
Lift type check valve

※结构及用途

该阀由阀体、阀盖和阀板等组成，安装在水平管道上，利用管路中介质本身流动产生的力而自动开启和关闭，阻止介质倒流。

Structure and purpose

The valve is made up of body, bonnet and disc etc. It can be fixed in horizontal pipe. The valve can prevent medium from regorging because medium flow can make the power open and close the valve in the pipe automatically.



※主要技术参数 Main technology parameters

型号 Type	公称压力 Nominal pressure	试验压力Test pressure(MPa)		工作温度 Working temperature	适用介质 Suitable medium
		壳体 Shell	密封 Seal		
H41H-16C (P)	PN16	2.4	1.76	<425℃	水、蒸气、油 Water, Vapour, Oil
H41H-25C (P)	PN25	3.75	2.75		
H41H-40C (P)	PN40	6.0	4.40		
H41H-64C (P)	PN64	9.6	7.04		
H41H-100C (P)	PN100	15.0	11.0		

※主要零件材料 Main part materials

零件名称 Name	材料 Material
阀体、阀盖 Body, Bonnet	碳钢 Carbon steel、不锈钢 Stainless steel
密封面 Sealing face	不锈钢或堆焊合金 Stainless steel or Surfacing alloy

※主要外形尺寸 Main exterior dimensions

公称通径(DN) Nominal dimension	PN16 25 40			PN64 100		
	L	H	d	L	H	d
15	130	80	82	170	80	84
20	150	100	95	190	100	120
25	160	110	98	210	110	120
32	190	120	120	230	140	145
40	200	140	135	260	155	160
50	230	150	145	300	170	175
65	290	160	175	340	190	195
80	310	170	200	380	205	220
100	350	195	230	430	230	145
125	400	218	270	-	-	-
150	480	256	330	-	-	-
200	600	318	405	-	-	-
250	730	378	480	-	-	-
300	850	432	550	-	-	-
350	980	485	615	-	-	-
400	1100	555	705	-	-	-

法兰连接尺寸：铁制阀门按GB/T 17241.6-1998标准，钢制阀门按GB/T 9113-2010标准。
Flange connecting dimension: the iron valve accords to GB/T 17241.6-1998, the steel valve accords to GB/T 9113-2010.

四十六、止回阀HC41X-10.16.25系列

Check valve

(A型) 节能梭式止回阀

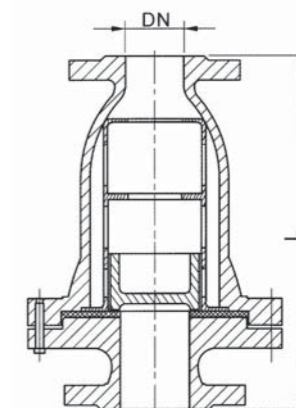
(A type) Saving energy shuttle check valve

※结构及用途

HC41X节能梭式止回阀主要用于给水系统，垂直安装在管路中，靠系统内的压力差和阀瓣的自身重量实现升降，自动阻止介质水的逆流，保证管路的正常运行使用。

Structure and purpose

HC41X type saving energy shuttle check valve is applicable to water supply system. It can be fixed vertically in the pipeline. The valve disc itself can be lifted depending on the differential pressure and the weight of disc. It can prevent midium(water) from reflux to ensure pipeline run normally.



※主要技术参数 Main technology parameters

公称压力 Nominal pressure	PN10	PN16	PN25
壳体试验压力 Shell test pressure (MPa)	1.5	2.4	3.75
密封试验压力 Sealing test pressure(MPa)	1.1	1.76	2.75
介质温度 Medium temperature	≤80℃		
适用介质 Suitable medium	清水、油品 Pure water, Oil		

※主要零件材料 Main part materials

阀体 Body	铸铁、铸钢 Cast iron, Cast steel
导向罩 Guide net	球墨铸铁 Nodular cast iron
阀瓣 Disc	铸钢镀锌件 Cast steel galvanization
密封面 Sealing face	丁腈橡胶 NBR

※主要外形尺寸 Main exterior dimensions

DN	40	50	65	80	100	125	150	200	250	300	350	400
L	165	205	215	240	292	330	355	495	620	700	785	915

法兰连接尺寸：铁制阀门按GB/T 17241.6-1998标准，钢制阀门按GB/T 9113-2010(RF)标准。
Flange connecting dimension: The iron valve accords to GB/T 17241.6-1998 standard and the steel valve to GB/T 9113-2010(RF)standard.

四十七、止回阀HC41H(X)-10.16.25系列

Check valve

(B)型消声止回阀

(B type) Noise elimination check valve

※结构及用途

该阀由阀体、阀板和弹簧等组成，适用于给、排水管道，阀瓣采用进出口两端中心轴导向，启闭灵活，可水平安装或垂直安装。阀瓣采用弹簧加载，其快速关闭能有效地减少水锤压力，密封性能好，关闭无噪音。它具有体积小、重量轻、流体阻力小、耐疲劳、寿命长等优点。

Structure and purpose

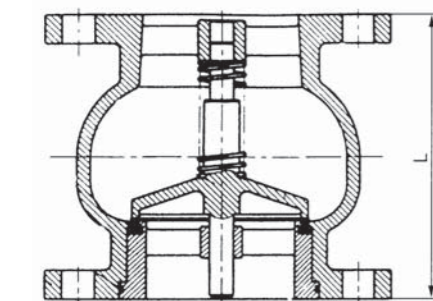
The valve is made up of body, disc and spring etc. It is applicable to water supply and drainage pipeline, the disc is guided by centre axis of inlet and outlet, loaded by spring. It can close rapidly reducing water hammer pressure and is free to closing without noise. The valve can be fixed horizontally or vertically. It also has the characteristic of small volume, light weight, little flow resistance, enduring fatigue, long life-span.

※主要零件材料 Main part materials

型号 Type	材料 Material
HC11H(X)-10.16T	全铜 Full bronze
HC41H(X)-16T	
HC41H(X)-16.25	铁壳铜芯 Iron body bronze core
HC41H(X)-16.25P	不锈钢 Stainless steel

※主要外形尺寸 Main exterior dimensions

公称通径(DN) Nominal dimension	L(mm)
40	112
50	120
65	130
80	150
100	165
125	190
150	210
200	255
250	310
300	320
350	380
400	405
450	430
500	450
600	510



※主要技术参数 Main technology parameters

型号 Type	公称压力 Nominal pressure	试验压力 Test pressure (MPa)		介质温度 Medium temperature	适用介质 Suitable medium
		壳体 Shell	密封 Seal		
HC41H(X)-10.16.25 HC41H(X)-16.25P	PN10	1.5	1.1	≤80℃	洁净水 Pure water
	PN16	2.4	1.76		
	PN25	3.75	2.75		

法兰连接尺寸：铁制阀门按GB/T 17241.6-1998标准，钢制阀门按GB/T 9113-2010标准。
Flange connecting dimension: the iron valve accords to GB/T 17241.6-1998, the steel valve accords to GB/T 9113-2010.

四十八、止回阀HC42H.T.X-10.16.25.40.63.100系列

Check valve

轴流式止回阀(DRV)

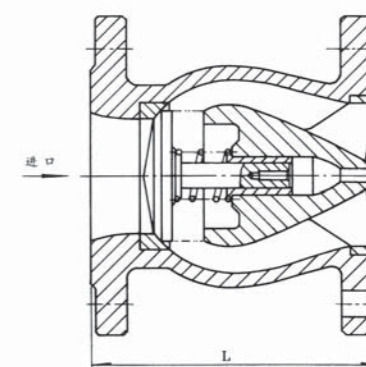
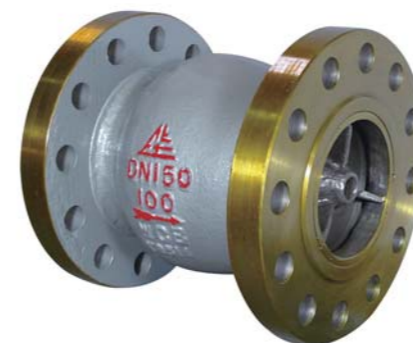
Check valve for calm sound(DRV)

※结构及用途

该阀由阀体、阀座、导流体、阀瓣、轴瓦及弹簧等零件组成。内部流道采用流线型设计，压力损失小，阀瓣启闭行程很短，停泵时可快速关闭，防止巨大的水锤声，形成静音效果。该阀主要用于给水、排水、消防、暖通系统、石化、电力等工业项目，可安装于水泵出口处，防止介质倒流及水锤对设备的损坏。

Structure and purpose

The valve is made up of body, valve seat, guidedvane, disc, bearing bush and spring etc. The inner gangway in designed to streamline, the losing pressure is little, the route of disc open-close is short. When the pump stops, the valve can close rapidly to prevent huge water hammer noise. The valve is applicable to the system of water supply and drainage, fire control and heating. It can be fixed in the outlet of pump to prevent the reflux medium and the water hammer from destroying the pump.



※主要技术参数 Main technology parameters

公称压力 Nominal pressure	PN10	PN16	PN25	PN40	PN63	PN100
最高工作压力(MPa) Highest working pressure	1.0	1.6	2.5	4.0	6.3	10
密封试验压力 (MPa) Sealing test pressure	1.1	1.76	2.75	4.4	6.93	11
壳体试验压力(MPa) Shell test pressure	1.5	2.4	3.75	6	9.45	15
适用介质 Suitable medium	水 Water					
介质温度 Medium temperature	X<80℃, T≤150℃, H≤200℃					

※主要零件材料 Main part materials

零件名称 Name	材质 Material
阀体、导流体 Body, Guidedvane	铸铁、铸钢、不锈钢 Cast iron, Cast steel, stainless steel
阀座、轴瓦、阀瓣、轴 Valve seat, bearing bush Disc, Axis	铸钢、青铜、不锈钢 Cast steel, Bronze or stainless steel
弹簧 Spring	不锈钢 Stainless steel

※主要外形尺寸 Main exterior dimensions

公称通径(DN) Nominal dimension	L(mm)
50	120
65	150
80	180
100	240
125	300
150	350
200	450
250	500
300	550
350	572
400	600
450	650
500	700

法兰连接尺寸：铁制阀门按GB/T 17241.6-1998标准，钢制阀门按GB/T 9113-2010(RF)标准。
Flange connecting dimension: The iron valve accords to GB/T 17241.6-1998 standard and the steel valve to GB/T 9113-2010(RF)standard.

四十九、止回阀HQ41X-10.16系列

Check valve

无磨损球形止回阀

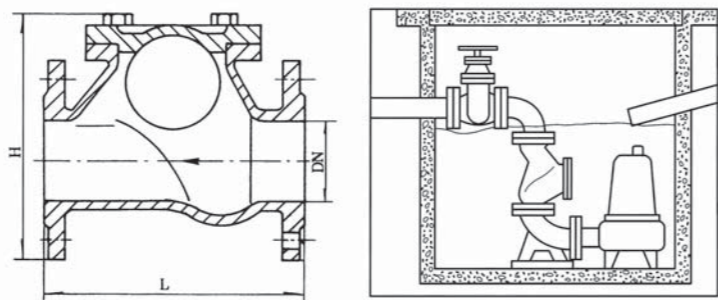
Non abrasion ball check valve

※结构及用途

该阀由阀体、阀盖、球体及挡板等组成，采用橡胶包皮滚球为阀瓣，在介质的作用下，可在阀体内的整体式滑道上作上下左右滚动，从而打开或关闭阀门。消声式关闭不产生水锤，密封性能好。阀体采用全水流通道，流量大，阻力小，水头损失比旋启式小50%。水平或垂直安装均可。

Structure and purpose

The valve is made up of body, bonnet, globe body and baffle etc. The disc is grounder wrapped rubber which can trundle around integral slideway of inner body in the medium effect, so the valve can be opened or closed. It will not bring water hammer because of closing with noise elimination. The valve adopts full flow gangway and has the characteristics of large flow, small resistance, the lose of waterpower is less 50% than the swing valve, it also can be fixed horizontally or vertically.



※主要技术参数 Main technology parameters

型号 Type	公称压力 Nominal pressure	试验压力Test pressure(MPa)		介质温度 Medium temperature	适用介质 Suitable medium
		壳体 Shell	密封 Seal		
HQ41X-10	PN10	1.5	1.1	≤80℃	水 Water
HQ41X-16	PN16	2.4	1.76		

※主要零件材料 Main part materials

零件名称 Name	材料 Material
阀体、阀盖 Body, Bonnet	铸铁、铸钢 Cast iron, Cast steel
球架、挡板 Ball shelf, Baffle	
球体 Ball	碳钢包橡胶 Carbon steel wrapping rubber

※主要外形尺寸 Main exterior dimensions

公称通径(DN) Nominal dimension	50	65	80	100	125	150	200	250	300	350
L(mm)	216	241	293	305	381	403	495	622	698	787
H(mm)	185	210	245	280	335	400	495	600	715	800

法兰连接尺寸：铁制阀门按GB/T 17241.6-1998标准，钢制阀门按GB/T 9113-2010(RF)标准。
Flange connecting dimension: The iron valve accords to GB/T 17241.6-1998 standard and the steel valve to GB/T 9113-2010(RF)standard.

五十、止回阀HQ44(45)X-10.16系列

Check valve

无磨损球形止回阀

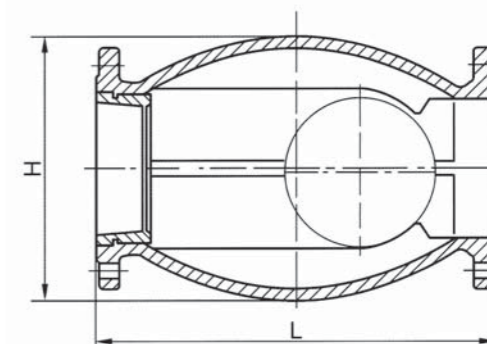
Non abrasion ball check valve

※结构及用途

该阀由阀体、球体和挡板等组成，采用橡胶包皮滚球为阀瓣，在介质的作用下，可在阀体内的整体式滑道上作上下左右滚动，从而打开或关闭阀门，消声式关闭，不产生水锤，密封性能好，水头损失少，可水平或垂直安装。

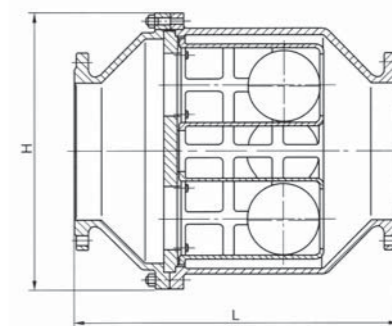
Structure and purpose

The valve is made up of body, globe body and baffle etc. The disc is grounder wrapped rubber which can trundle around integral slideway of inner body in the medium action, so the valve can be opened or closed. It will not bring water hammer because of closing with noise elimination. The valve adopts full flow gangway and has the characteristic of large flow, small resistance, the lose of waterpower is little, it also can be fixed horizontally or vertically.



※主要外形尺寸 Main exterior dimensions

公称通径(DN) Nominal dimension	50	65	80	100	125	150	200	250	300
L(mm)	250	280	310	350	400	450	550	650	750
H(mm)	180	210	225	245	280	320	380	450	510



※主要外形尺寸 Main exterior dimensions

公称通径(DN) Nominal dimension	200	250	300	350	400	450	500	600	700	800	900	1000
L(mm)	550	650	750	850	950	1050	1150	1350	1450	1650	1900	2100
H(mm)	510	570	640	715	815	825	980	1155	1260	1350	1660	1700

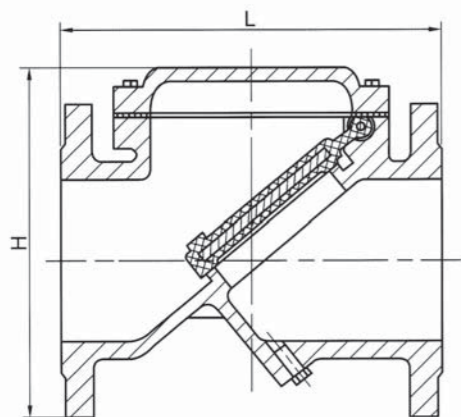
法兰连接尺寸：铁制阀门按GB/T 17241.6-1998标准，钢制阀门按GB/T 9113-2010(RF)标准。
Flange connecting dimension: The iron valve accords to GB/T 17241.6-1998 standard and the steel valve to GB/T 9113-2010(RF)standard.

五十一、止回阀HC44X-10.16.25(SFCV)系列

Check valve

橡胶瓣止回阀

Check valve for rubber disc



※结构及用途

该阀由阀体、阀盖、阀瓣等组成，主要用于给排水系统、石油、化工等工业部门的管道出口处，防止介质逆流。由于本产品的封圈采用倾斜设计，关闭时间短，可减少水锤压力。阀瓣采用丁腈橡胶与钢板经高温压制而成，耐冲刷，密封性能好，产品结构简单、保养、维修、运输均很方便。

Structure and purpose

The valve is made up of body, bonnet and disc etc. It is applicable to the pipe outlet of water supply and drainage system, petroleum, chemical industries to prevent medium regorging. The seal ring of product is designed to leaning, so the close time is short and the water hammer pressure can be reduced. The disc is formed by compressing chemigum(NBR) and steel plate together under the high temperature. so the disc endures erosion and has the good sealing, the product has the simple structure, it is also convenient to maintain and transport.

※主要技术参数 Main technology parameters

公称压力 Nominal prerssure	PN10	PN16	PN25
壳体试验压力(MPa) Shell test pressure	1.5	2.4	3.75
密封试验压力(MPa) Seal test pressure	1.1	1.76	2.75
介质温度 Medium temperature	<80℃		
适用介质 Suitable medium	清水、污水、油品 Water, sewage, Oil		

※主要零件材料 Main part materials

阀体、阀盖 Body, Bonnet	铸铁、铸钢 Cast iron, Cast steel
阀瓣 Disc	橡胶组合件 Rubber groupware

※主要外形尺寸 Main exterior dimensions

公称通径(DN) Nominal dimension	L	H
40	165	165
50	203	165
65	216	185
80	241	200
100	292	220
125	330	280
150	356	285
200	495	340
250	622	395
300	698	445
350	787	505
400	914	565
450	978	615
500	978	670
600	1295	780

五十二、止回阀HH44T(X)-10.16系列

Check valve

旋启式止回阀

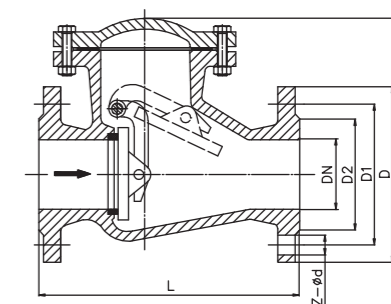
Check valve for rubber disc

※结构及用途

1.旋启式止回阀由阀体、阀盖和旋启式阀瓣组成，阀门用于给排水系统、污水处理系统的泵站和管道，防止介质逆向流动。
2.该产品是传统水道用止回阀，工艺成熟，批量大，成本较低。阀门关闭时易产生水锤现象，选用时应注意这个问题。
3.阀门采用铜合金或者橡胶密封面，耐腐蚀、密封性好。

Structure and purpose

1.Swing type check valve is made up of valve body, valve bonnet and swing type disc. This valve is applicable to the pipe outlets of water supply and drainage system, sewage processing system to prevent medium from flowing back.
2.This type of product is our traditional sluice check valve for water purpose owing to our mature technology. We can produce it in large scale with low cost. It often has the phenomenon of water hammer when the valve closes, Kindly note it when you choose the valve.
3.The valve's seal seat is made of copper alloy or rubber with the advantage of anti-corrosion and high temperature-proof.



※标准规范 Standard Specification

设计制造 Design and manufacture	结构长度 Face to face dimension	法兰连接尺寸 Connecting dimension of flange end	压力试验 The Pressure test
GB/T 13932	GB/T 12221	GB/T 17241.6-1998	GB/T 13927

※主要零件材料 Main part materials

型号 Type	H44T-10	H44X-10	H44X-16
适用温度 Temp	≤200℃	≤80℃	
适用介质 Media	净水、污水、蒸汽、油品等 Water, sewage, steam, Oil	净水、污水、油品等 Water, sewage, Oil	
材料 Material			
阀体、阀盖 Body, Bonnet	灰铸铁 Gray cast iron; HT200		
阀瓣 Disc	球墨铸铁 Ductile cast iron; QT450-10		
密封面 Seal face	铜合金 Copper alloy	橡胶 Rubber	

※主要外形尺寸 Main exterior dimensions

型号 type	H44T-10 H44X-10						H44X-16					
	DN	L	D	D1	D2	Z-Ød	H	L	D	D1	D2	Z-Ød
50	230	165	125	99	4-19	137	230	165	125	99	4-19	160
65	290	185	145	118	4-19	142	290	185	145	118	4-19	175
80	310	200	160	132	8-19	161	310	200	160	132	8-19	185
100	350	220	180	156	8-19	178	350	220	180	156	8-19	220
125	400	250	210	184	8-19	203	400	250	210	184	8-19	248
150	480	285	240	211	8-23	233	480	285	240	211	8-23	276
200	500	340	295	266	8-23	262	550	340	295	266	12-23	350
250	600	395	350	319	12-23	299	650	405	355	319	12-28	410
300	700	445	400	370	12-23	350	750	460	410	370	12-28	430
350	800	505	460	429	16-23	392	850	520	470	429	16-28	466
400	900	565	515	480	16-23	448	950	580	525	480	16-28	560
450	1000	615	565	530	20-28	485						
500	1100	670	620	582	20-28	525						
600	1300	780	725	682	20-31	608						

五十三、止回阀HH44X(H.T)-10.16.25系列

Check valve

旋启式缓闭止回阀

Swing slow close check valve

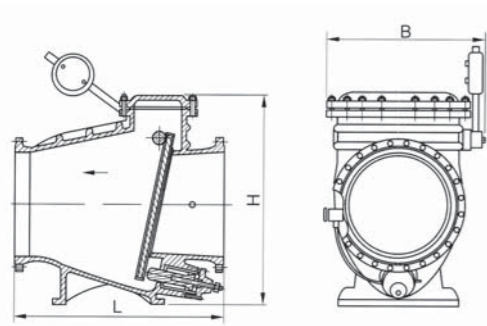


※结构及用途

该阀由阀体、阀盖、阀瓣、阀轴及调节阀等组成，安装在水泵出口处用来防止介质逆流和消除破坏性水锤，并能有效地减少阀门关闭的水锤压力，可保障管网安全运行。它具有阀瓣轻、开度大、节电效果显著，流体阻力小，水锤消除机构设计新颖，密封性能稳定可靠、耐磨损、使用寿命长、运行平稳、无震动、无噪音等特点。

Structure and purpose

The valve is made up of body, bonnet, disc, valve axis and regulating valve etc. It can be fixed in the outlet of water pump to prevent medium from reflux and remove deatructive water hammer, it also can effctively reduce water hammer pressure when the valve closes, so the pipeline can run safely. The valve has characteristics of light disc, large open degree, distinct saving electricity, small flow resistance, neoteric structure of water hammer elimination, stable sealing performance, enduring abrasion, long life-span, non shock and noise.



※主要外形尺寸 Main exterior dimensions

公称通径(DN) Nominal dimension	尺寸 Dimension (mm)		
	L	H	B
40	200	300	220
50	230	300	270
65	290	320	290
80	310	354	300
100	350	380	320
125	400	500	340
150	480	580	410
200	500	670	450
250	600	730	550
300	700	820	580
350	800	920	630
400	900	950	700
450	1000	1100	800
500	1100	1200	900
600	1300	1550	990
700	1400	1700	1120
800	1500		1300

※主要零件材料 Main part materials

零件名称 Name	材料 Material
阀体、阀盖 Body, Bonnet	铸铁、铸钢 Cast iron, Cast steel
阀瓣 Disc	橡胶组合件 Rubber groupware
阀轴 Valve axis	不锈钢 Stainless steel

※主要技术参数 Main technology parameters

型号 Type	公称压力 Nominal pressure	试验压力 Test pressure(MPa)		最高工作压力(MPa) Highest work pressure	介质温度 Medium temperature	适用介质 Suitable medium
		壳体 Shell	密封 Sealing			
HH44X(T.H) -10.16.25	PN10	1.5	1.1	1.0	X≤80°C T(H)≤200°C	水、弱腐蚀性介质 Water, The weakly amyncic medium
	PN16	2.4	1.76	1.6		
	PN25	3.75	2.75	2.5		

法兰连接尺寸：铁制阀门按GB/T 17241.6-1998标准，钢制阀门按GB/T 9113-2010(RF)标准。
Flange connecting dimension: The iron valve accords to GB/T 17241.6-1998 standard and the steel valve to GB/T 9113-2010(RF)standard.

五十四、止回阀H44H-16C.25.40.64.100.160系列

Check valve

钢制旋启式止回阀

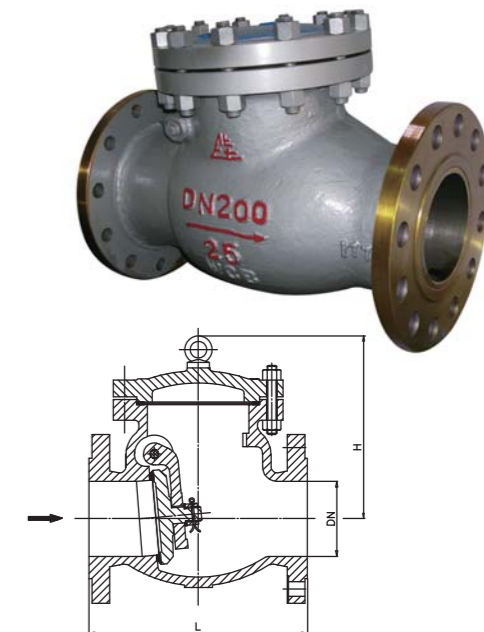
Steel swing check valve

※结构及用途

- 1.钢制旋启式止回阀由阀体、阀盖和旋启式阀瓣组成，阀门用于石油、化工、电力、冶金等行业的泵站和管道，防止介质逆向流动。
- 2.该产品应用于水平布置管线，不适用立管，阀门关闭时易产生水锤现象，选用时应注意这个问题。
- 3.阀门采用合金钢或者硬质合金密封面，耐腐蚀、耐磨损、耐高温。

Structure and purpose

- 1.The steel swing check valve is made of body, bonnet and swing disc. The valve is applicable to the pipeline and pump station in the industries of petrochemical, chemistry, power station and metallurgy etc., which prevents the medium from flowing back.
- 2.This type of product is suitable to install horizontally in the pipeline, not vertically. It often has the phenomenon of water hammer when the valve closes, Kindly note it when you choose the valve.
- 3.The valve's seal seat is made of alloy steel or hard face seat with the advantage of anti-corrosion, anti-wear and high temperature resistance.



※标准规范 Standard Specification

设计制造 Design and manufacturre	结构长度 Face to face dimension	法兰连接尺寸 Connecting dimension of flange end	压力试验 The Pressure test
GB/T 12236	GB/T 12221	GB/T 9113-2010, HG/T 20592-2009	GB/T 13927

※主要零件材料 Main part materials

型号 Type	H44H(Y)-16C.25.40.64.100.160	H44W(Y)-16P.25P.40P	H44W(Y)-16R.25R.40R
适用温度 Temp	≤425°C		≤150°C
适用介质 Media	水、蒸汽、油品等 Water, steam, Oil	弱腐蚀性介质 Corrosive media	腐蚀性介质 Corrosive media
材料 Material			
阀体、阀盖 Body, Bonnet	碳钢: WCB		不锈钢Stainless steel: CF8 CF3
阀瓣 Disc	碳钢: WCB		不锈钢Stainless steel: CF8M CF3M
密封面 Seal face	H型: 合金钢 Alloy steel Y型: 合金钢 Alloy steel		W型: 本体 W type: Body Y型: 硬质合金 Y type: Hard alloy

※主要外形尺寸 Main exterior dimensions

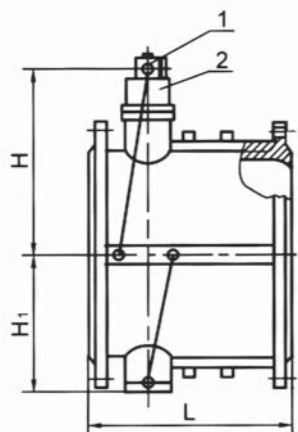
公称压力 工作压力	PN16 ≤1.6Mpa		PN25 ≤2.5Mpa		PN40 ≤2.5Mpa		PN64 ≤6.3Mpa		PN100 ≤10Mpa		PN160 ≤16Mpa		
	DN	L	H	L	H	L	H	L	H	L	H	L	H
25	160	120	160	120	160	120							
32	180	140	180	140	180	140							
40	200	150	200	150	200	160							
50	230	160	230	160	230	170	300	176	300	210	300	222	
65	290	175	290	175	290	175	340	197	340	227	340	260	
80	310	185	310	185	310	185	380	212	380	235	380	270	
100	350	220	350	220	350	220	430	248	430	274	430	330	
125	400	248	400	248	400	248	500	296	500	307	500	307	
150	480	276	480	276	480	276	550	330	550	345	550	428	
200	550	350	550	350	550	350	650	385	650	406	650	508	
250	650	410	650	410	650	410	775	445	775	450			
300	750	430	750	430	750	430	900	474	900	484			
350	850	466	850	466	850	466	1025	505					
400	950	560	950	560	950	560	1150	616					
450	1050	620	1050	620									
500	1150	710	1150	710	1150	710	1400	670					

五十五、止回阀HH46(48.49) H(X)-10.16.25系列

Check valve

微阻缓闭蝶式止回阀

Tiny damping butterfly check valve



※结构及用途

该阀由阀体、阀杆、蝶板、油缸及调节阀等组成，适用在清水、污水、海水等介质的排水管道上，既能防止介质的倒流，又能有效地限制破坏性水锤，保证管线的使用安全。它具有结构新颖、体积小、重量轻、流体阻力小、密封可靠、启闭平稳、耐磨损、使用寿命长，缓闭不受介质影响，节能效果好。

Structure and purpose

The valve is made up of body, spindle, butterfly disc, oil cylinder and regulating valve. It is applicable to drainage pipe of pure water, sewage, seawater, the valve can prevent medium from reflux and restrict deatructive water hammer to ensure safety of pipeline. It has characteristics of neoteric structure, small volume, light weight, small flow resistance, reliable sealing, enduring abrasion, long life-span, district saving energy.

※主要零件材料 Main part materials

零件名称 Name	阀体 Body	阀瓣 Disc	阀杆、油缸、活塞、弹簧 Spindle, Oil cylinder, Plunger, Spring	阀座 Valve seat
材料 Material	铸铁、铸钢 Cast iron, Cast steel	碳钢 Carbon steel	不锈钢 Stainless steel	丁腈橡胶 NBR

※主要技术参数 Main technology parameters

型号 Type	公称压力 Nominal pressure	试验压力Test pressure(MPa)		介质温度 Medium temperature	适用介质 Suitable medium	缓闭时间 Slow close time
		壳体 Shell	密封 Seal			
HH46X HDH48X HH49X	PN10	1.5	1.1	≤80℃	清水、污水、海水 Pure water, Sullage Seawater	≤60秒(S)
	PN16	2.4	1.76			
	PN25	3.75	2.75			

※主要外形尺寸 Main exterior dimensions

公称通径(DN) Nominal dimension	尺寸 Dimension (mm)			公称通径(DN) Nominal dimension	尺寸 Dimension (mm)		
	L	H	H1		L	H	H1
40	140	200	88	350	290	480	297
50	150	215	98	400	310	550	324
65	170	225	108	450	330	585	351
80	180	235	118	500	350	640	379
100	190	280	130	600	390	720	434
125	200	290	148	700	430	780	491
150	210	310	172	800	470	840	549
200	230	350	210	900	510	990	600
250	250	415	240	1000	550	1050	655
300	270	450	264	1200	630	1210	770

法兰连接尺寸：铁制阀门按GB/T 17241.6-1998标准，钢制阀门按GB/T 9113-2010(RF)标准。
Flange connecting dimension: The iron valve accords to GB/T 17241.6-1998 standard and the steel valve to GB/T 9113-2010(RF)standard.

五十六、止回阀HH47H(X)-10.16.25系列

Check valve

蝶式缓闭止回阀(管力阀)

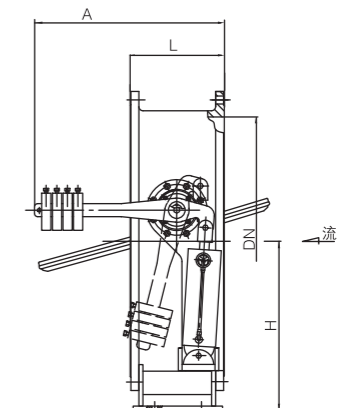
Slow close butterfly check valve (Automatic valve)

※结构及用途

HH47H(X)型蝶式缓冲止回阀，又名：管力阀。主要用于工业供排水、污水处理厂的水泵出口处，防止管网中介质逆流。自动消除破坏性水锤，从而保证水泵和管路不受损坏。该阀主要有阀体、阀瓣、缓冲装置和微量调节阀组成。该产品具有结构新颖、体积小、流体阻力小、运行平稳、密封可靠、耐冲刷、耐磨损、缓冲性能好等特点。

Structure and purpose

HH47H(X) Butterfly check valve for buffering is applicable to the pump outlet of water supply and drainage, sewage work in industries, it can prevent medium of pipe network from reflux and eliminate deatructive water hammer to ensure that the water pump and pipeline run safely. The valve is made up of body, disc, buffer unit and regulating valve. It has characteristics of neoteric structure, small volume, light weight, reliable sealing, enduring abrasion, good buffering performance.



※主要零件材料 Main part materials

零件名称 Name	阀体 Body	蝶板 Butterfly disc	密封圈 Sealing ring	阀杆 Spindle	填料 Filling
材料 Material	铸铁、铸钢 Cast iron, Cast steel	铸铁、铸钢、球铁 Cast iron, Cast steel, Nodular cast iron	丁腈耐油橡胶、不锈钢 NBR, Stainless steel	不锈钢 Stainless steel	聚四氟乙烯 PTFE

※主要技术参数 Main technology parameters

型号 Type	公称压力 Nominal pressure	试验压力Test pressure(MPa)		工作压力(MPa) Working pressure	介质温度 Medium temperature	适用介质 Suitable medium
		壳体 Shell	密封 Seal			
HH47H(X)	PN10	1.5	1.1	1.0	≤80℃	清水、污水、海水 Pure water, Sullage Seawater
	PN16	2.4	1.76	1.6		
	PN25	3.75	2.75	2.5		

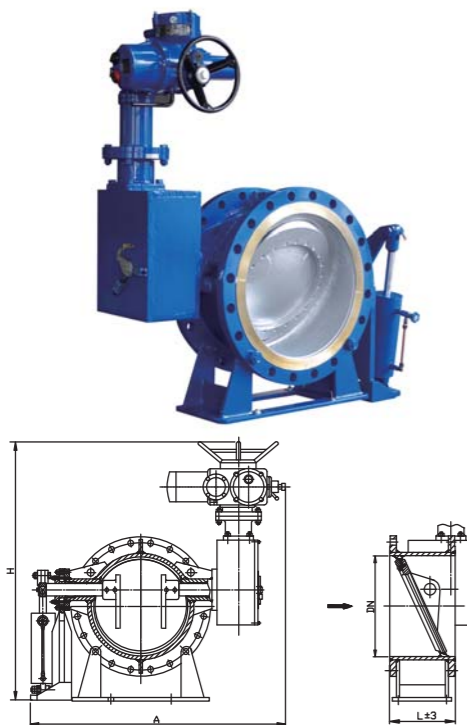
※主要外形尺寸 Main exterior dimensions

公称通径(DN) Nominal dimension	200	250	300	350	400	450	500	600	700	800	900	1000	1200	1400
	尺寸 Dimension (mm)	L	152	165	178	190	216	222	229	267	292	318	330	410
	H							420	530	610	700	710	810	980
	A	400	400	450	450	450	600	600	600	765	765	765	1135	1360

法兰连接尺寸：铁制阀门按GB/T 17241.6-1998标准，钢制阀门按GB/T 9113-2010(RF)标准。
Flange connecting dimension: The iron valve accords to GB/T 17241.6-1998 standard and the steel valve to GB/T 9113-2010(RF)standard.

五十七、止回阀HHT947H(X)-10C.16C.25系列 Check valve

电液控多功能蝶式止回阀 Check valve with electric-hydraulic actuator



※结构及用途

- 1.电液控多功能蝶式止回阀由阀体、斜置蝶板、缓闭液压缸和电动装置组成，阀门用于泵出口，防止介质逆向流动。
- 2.阀门采用液压缓闭缸控制系统，有效控制阀门在停泵时自动三级缓闭，消除水锤压力。
- 3.阀门设置电动控制机构，可以与泵实现电气联动.用户配置相应的仪表和控制元件，阀门可以实现延时开阀、定压开阀、强制关阀等多种功能.如果用户需要还可以配置调节型电装用于调节流量。

Structure and purpose

- 1.This valve is made of the body, tilted disc, slow close hydraulic cylinder and electric actuator, which is used in the outlet of pump to prevent medium from flowing back.
- 2.The control system of hydraulic slow close cylinder is adopted by valve, which will control the valve by the mode of third class slow closing automatically when the pump is ceased, reducing the pressure of water hammer.
- 3.Electric control outfit is setted by valve, which could be linked with pump electrically. The users could configure relevant meters and control components in order to implement several functions, such as opening delay, rated pressure to open the valve, compelling to shut off the valve etc. The regulating electric actuator could be configured if the users need to regulate the flow.

※标准规范 Standard Specification

专利号 Patent number	结构长度 Face to face dimension	法兰连接尺寸 Connecting dimension of flange end	压力试验 The Pressure test
ZL2009200781265	GB/T 12221	GB/T 9113-2010, GB/T 17241.6-1998	GB/T 13927

※主要零件材料 Main part materials

型号 Type	HHT947H(X)-10C	HHT947H(X)-16C	HHT947H(X)-25
工作压力Working pressure	≤1.0 Mpa	≤1.6 Mpa	≤2.5 Mpa
适用温度 Temp	H型: ≤300℃ X型: ≤80℃		
适用介质 Media	H型:水、蒸汽、油品等 Water, steam,Oil ete X型:水、油品等 Water, Oil ete		
材料 Material			
阀体、阀盖 Body,Bonnet	H型: 铸钢、碳钢焊接Cast steel, X型: 铸铁Cast iron、碳钢Cast steel		
阀瓣 Disc			
密封面 Seal face	H型: 金属Metal - 金属Metal X型: 橡胶NBR - 金属Metal		

※主要外形尺寸 Main exterior dimensions

公称压力 DN	PN10				PN16				公称压力 DN	PN25					
	L	H	A	DN	L	H	A	DN		L	H	A			
300	270	1160	980	900	510	1520	1780	300	270	1160	980	900	510	1590	1840
350	290	1160	1050	1000	550	1600	1920	350	290	1160	1050	1000	550	1670	1990
400	310	1160	1110	1100	630	1710	2030	400	310	1160	1110	1100	630	1750	2130
450	330	1160	1170	1200	630	1830	2160	450	330	1160	1170	1200	630	1920	2280
500	350	1210	1250	1400	710	1960	2390	500	350	1210	1250	1400	710	2060	2510
600	390	1440	1400	1600	790	2120	2510	600	390	1440	1400	1600	790	2210	2660
700	430	1440	1520	1800	870	2300	2750	700	430	1440	1520	1800	870	2430	2940
800	470	1480	1650	2000	950	2560	2980	800	470	1480	1650	2000	950	2650	3160

五十八、止回阀H71H(W)-16.25.40系列 Check valve

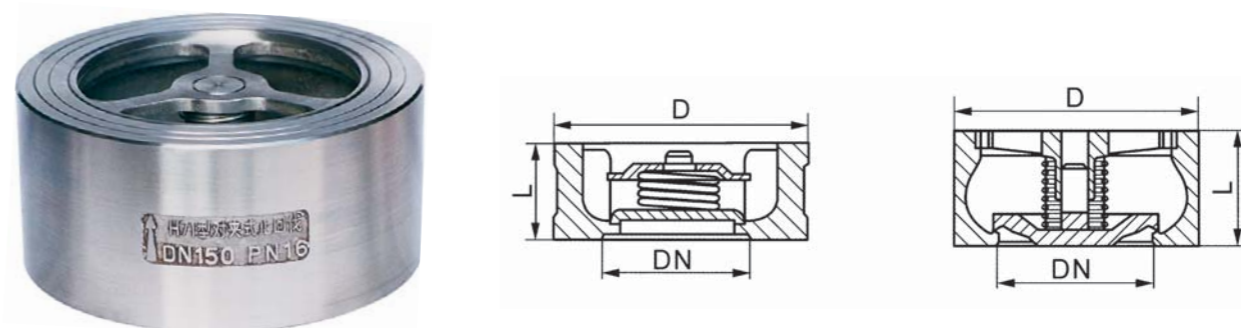
对夹升降式止回阀 Wafer lift type check valve

※结构及用途

该阀由阀体、阀瓣、弹簧等组成，水平或垂直安装于管路系统，防止介质倒流，具有结构短、体积小、质量轻；阀瓣关闭快速，水锤压力小；流道通畅，动作灵敏，密封性能好。

Structure and purpose

The valve is made up of body, disc, spring etc. It can be fixed in pipeline system horizontally or vertically to prevent medium against reflux, it has characteristics of short structure, small volume, light weight, rapid close, small pressure of water hammer, expedite gangway, sensitive action, good sealing function.



※主要技术参数 Main technology parameters

型号 Type	公称压力 Nominal pressure	试验压力Test pressure(MPa)		工作温度(°C) Working temperature	适用介质 Suitable medium
		壳体Shell	密封Seal		
H71H-16Q	PN16	2.4	1.76	≤235	水、蒸气、油品等 Water, Vapour, Oil
H71H-25Q				≤235	
H71W-25H	PN25	3.75	2.75	≤300	硝酸等腐蚀性介质 Amyctic medium as aqua fortis
H71W-25P				≤200	
H71W-40H	PN40	6.0	4.4	≤300	
H71W-40P				≤200	水Water, 蒸气Vapour, 油Oil

※主要零件材料 Main part materials

型号 Type		阀体 Body	阀瓣 Disc	弹簧 Spring
H71H-16Q	H71H-25Q	QT400-15	25	50CrVA
H71W-25H	H71W-40H	2Cr13	1Cr13	1Cr18Ni9
H71W-25P	H71W-40P	ZG1Cr18Ni9	1Cr18Ni9Ti	1Cr18Ni9Ti

※主要外形尺寸 Main exterior dimensions

公称通径(DN) Nominal dimension	L	D			公称通径(DN) Nominal dimension	L	D		
		1.6	2.5	4.0			1.6	2.5	4.0
15	25	48	48	48	80	71	140	140	140
20	31.5	58	58	58	100	80	160	165	165
25	35.5	68	68	68	125	110	190	195	195
32	40	80	80	80	150	125	215	225	225
40	45	90	90	90	200	160	270	285	290
50	56	105	105	105	250	200	330	340	350
65	63	125	125	125	300	250	385	400	415

法兰连接尺寸：铁制阀门按GB/T 17241.6-1998标准，钢制阀门按GB/T 9113-2010(RF)标准。
Flange connecting dimension: The iron valve accords to GB/T 17241.6-1998 standard and the steel valve to GB/T 9113-2010(RF)standard.

五十九、止回阀H74H(X)-10.16.25.40系列 Check valve

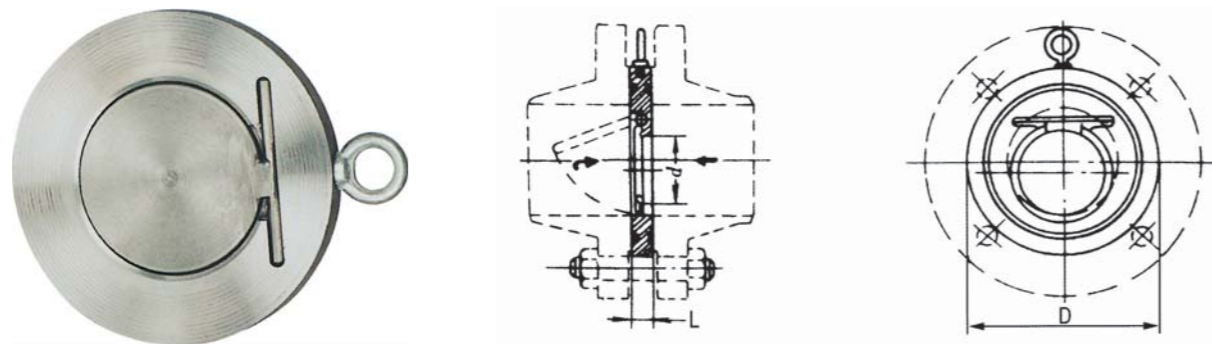
对夹圆片式止回阀 Wafer circle check valve

※结构及用途

该阀是一种超薄止回阀，它具有结构简单、外形美观、重量轻、安装方便等优点。主要适用于给水系统、石油、化工、冶金等工业部门对有安装空间限制的场所最为适用。

Structure and purpose

The valve is an extra-thin check valve. It has characteristics of simple structure, beautiful appearance, light weight, convenient installation. It is applicable to industrial sectors of water supply, petroleum, chemical industry, metallurgy in which the limited space is to fix it.



※主要技术参数 Main technology parameters

型号 Type	公称压力 Nominal pressure	试验压力Test pressure(MPa)		适用温度Suitable temperature(°C)		适用介质 Suitable medium
		壳体Shell	密封Seal	硬密封Hard seal	软密封Soft seal	
H74H(X)-10	PN10	1.5	1.1	≤400	≤120 最高≤250	油、水、酸碱 等液体 Oil, Water, Acid, Alkali
H74H(X)-16	PN16	2.4	1.76			
H74H(X)-25	PN25	3.75	2.75			
H74H(X)-40	PN40	6.0	4.4			

※主要零件材料 Main part materials

零件名称 Name	阀体、阀瓣Body, Disc	密封圈 Sealing ring
材料 Material	碳钢、不锈钢、铜 Carbon steel, Stainless steel, Copper	丁腈橡胶、三元丙橡胶、聚四氟乙烯、不锈钢 NBR, Tribasicrubber(PTDM), PTFE, Stainless steel

※主要外形尺寸 Main exterior dimensions

公称通径(DN) Nominal dimension	d	L		D			
		I型	II型	PN10	PN16	PN25	PN40
50	25	15	22	109	109	109	109
65	38	15	22	129	129	129	129
80	46	15	22	144	144	144	144
100	72	15	24	164	164	170	170
125	95	16	26	194	194	186	186
150	114	19	29	221	221	226	226
200	140	29	43	275	275	283	293
250	188	29	43	330	331	343	355
300	216	38	50	380	386	403	420
350	263	41	52	440	446	460	477
400	305	51	62	491	498	517	549
450	356	51	62	541	558	567	574
500	406	65	80	596	620	627	631
600	482	70	90	698	737	734	750

(1)法兰连接尺寸：按GB/T 9113-2010标准。Flange connecting dimension: according to GB/T 9113-2010 standards.

(2) I型用于流速稳定的工况；II型在I型的基础上加弹簧装置。

Type I is applied to stable flow conditions, type II has spring device relating to Type I.

六十、止回阀DH76H(X)-10.16系列 Check valve

对夹式双瓣止回阀 Double discs wafer check valve

※结构及用途

该阀由阀体、阀瓣、阀杆及弹簧等组成，采用对夹连接。由于阀瓣的关闭行程短，并且有弹簧加载，可显著减少水锤现象。该阀主要适用于城市、工业及高层建筑给水、排水管线上。由于其结构长度比一般止回阀短，对有安装空间限制的场所最为适用。

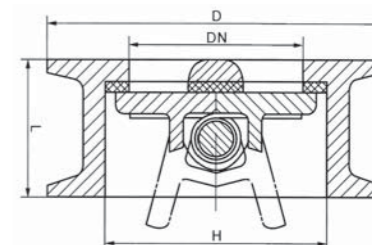
Structure and purpose

The valve is made up of body, disc, spindle and spring etc. It adopts wafer connection. As close route of the disc is short and the spring loads, the water hammer phenomenon can be reduced. The valve is applicable to water supply and drainage pipeline of city, industry or high building. Because the structure length is less than common check valve, the valve is the best choice for the limited fixing places.



※主要技术参数 Main technology parameters

公称压力 Nominal pressure	试验压力Test pressure(MPa)		介质温度 Medium temperature	适用介质 Suitable medium
	壳体Shell	密封Seal		
PN10	1.5	1.1	X≤80°C	清水、污水、海水 Pure water, Sullage, Seawater
PN16	2.4	1.76	H≤350°C	



※主要零件材料 Main part materials

零件名称 Name	阀体 Body	阀杆 Spindle	阀瓣 Disc	弹簧 Spring	阀座 Valve seat
材料 Material	铸铁、铸钢 Cast iron, Cast steel	不锈钢 Stainless steel	碳钢 Carbon Steel	不锈钢 Stainless steel	丁腈橡胶、不锈钢 NBR, Stainless steel

※主要外形尺寸 Main exterior dimensions

公称通径(DN) Nominal dimension	L(mm)	H(mm)	D(mm)		公称通径(DN) Nominal dimension	L(mm)	H(mm)	D(mm)	
			1.0MPa	1.6MPa				1.0MPa	1.6MPa
50	43	60	105	105	350	127	356	438	444
65	46	73	124	124	400	140	418	489	495
80	64	89	142	142	450	152	457	540	555
100	64	110	162	162	500	152	526	594	616
125	70	141	192	192	600	178	626	695	734
150	76	168	218	218	700	229	672	810	804
200	89	219	272	273	800	241	778	916	910
250	114	273	328	328	900	241	878	1016	1010
300	114	324	378	384	1000	300	914	1124	1128

法兰连接尺寸：铁制阀门按GB/T 17241.6-1998标准，钢制阀门按GB/T 9113-2010(RF)标准。

Flange connecting dimension: The iron valve accords to GB/T 17241.6-1998 standard and the steel valve to GB/T 9113-2010(RF)standard.

六十一、止回阀H77H(X.W.Y)-10.16.25.40.64系列 Check valve

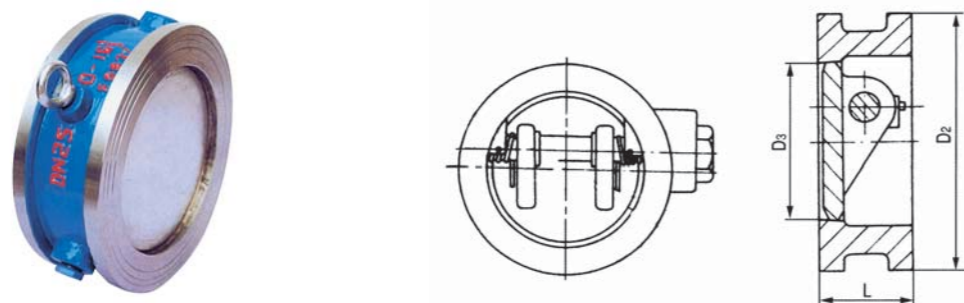
对夹式止回阀 Wafer check valve

※结构及用途

该阀由阀体、阀板、阀杆、弹簧等组成，可水平或垂直安装于管路上，防止管路介质倒流，由于采用合金钢制造，使用范围广、耐高温、启闭灵敏、密封性能好。

Structure and purpose

The valve is made up of body, spindle, disc and spring etc. It can fixed in pipeline horizontally or vertically to prevent medium from reflux, because the material is alloy steel, the valve has characteristics of the wide using scope, high temperature-proof, sensitive open-close, good sealing performances.



※主要技术参数 Main technology parameters

型号 Type	公称压力 Nominal pressure	试验压力 Test pressure (MPa)		介质温度 Medium temperature	适用介质 Suitable medium
		壳体 Shell	密封 Seal		
H77X	PN10	1.5	1.1	软密封 Soft seal <80°C	水、气体、油品、 硝酸等
H77H	PN16	2.4	1.76		
H77Y	PN25	3.75	2.75	硬密封 Hard seal <450°C	Water, Gas, Oil, Aqua fortis
H77W	PN40	6.0	4.4		
	PN64	9.6	7.0		

※主要零件材料 Main part materials

零件名称 Name	材料 Material				
	H77X-10C.16.25.40	H77H-16C.25.40.64	H77Y-25I.40I.64I	H77W-16C.25C.25.40	H77W-10P.16P.25P.40P
阀体、蝶板 Body, Disc	铸钢 Cast steel WCB		铬钼钢 1Cr5Mo	铸钢 Cast steel WCB	1Cr18Ni9Ti
阀杆 Spindle	2Cr13		2Cr13	1Cr18Ni9Ti	
阀体密封圈 Body seal ring	-	堆焊合金 Surfacing alloy	硬质合金 Surfacing hard alloy	-	-
助关弹簧 Spring for close	1Cr18Ni9Ti		耐热合金 Heat resisting alloy	1Cr18Ni9Ti	

※主要外形尺寸 Main exterior dimensions

公称通径(DN) Nominal dimension	L	D ₂	D ₃		公称通径(DN) Nominal dimension	L	D ₂	D ₃	
			H77X	H77H H77Y H77W				H77X	H77H H77Y H77W
50	43	100	43	46	400	140	485	376	390
80	64	135	71	80	450	152	545	427	472
100	64	155	91.5	94	500	152	608	479	490
125	70	185	115	118	600	178	718	579	588
150	76	210	141	145	700	229	800	675	686
200	89	265	191	200	800	241	905	774	784
250	114	320	230	250	900	241	1005	875	-
300	114	375	290	300	1000	300	1115	974	-
350	127	435	340	340	1200	350	1325	1164	-

法兰连接尺寸：按GB/T 9113-2010标准。 Flange connecting dimension: according to GB/T 9113-2010 standard.

六十二、水锤吸纳器ZYA8000(9000)-16.25系列 Water hammer absorber

气囊式水锤吸纳器 Gasbag water hammer absorber

※结构及用途

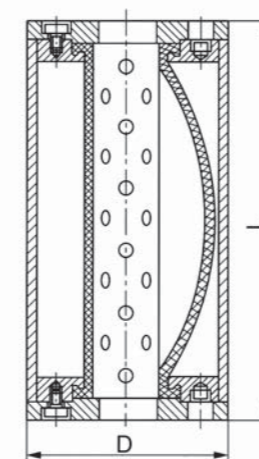
ZYA-8000 型胶胆气囊式水锤吸纳器由外壳、高级合成橡胶弹性内胆及多孔管等组成。适用于工矿、企业、高层建筑、电站等各类给排水系统中。在无需阻止水流的条件下，具有超卓的水击吸收力，有效地吸纳水锤。

ZYA-9000型活塞气囊式水锤吸纳器的内部有一密封的容器腔，下端为一活塞。当冲击波传入水锤吸纳器时，水击波作用于活塞上，活塞将往容器腔方向运动，活塞在一定压力的气体和不规则水击波双重作用下做上下运动，形成一个动态的平衡，这样就消除了不规则的水击震荡。

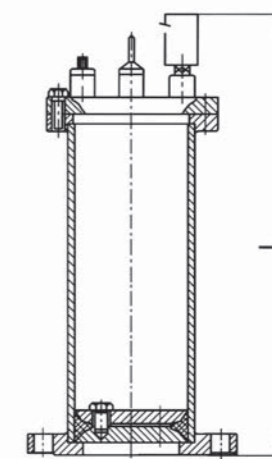
Structure and purpose

ZYA-8000 type Water hammer absorber with gluey gallbladder gasbag is composed of crust, advanced synthetic rubber gallbladder and perforated pipe. It is applicable to water supply and drainage system of industrial and mining establishments, company, high building, power station. It can absorb water hammer effectively in the case of flow need not be hold back.

ZYA-9000 type Water hammer absorber with plunger gasbag has a sealing container which has a plunger in inferior. When the shock wave enters into the water hammer absorber, the plunger make up and down motion under a certain gas pressure and the irregular water shock wave, this will form a dynamic balance, so the irregular concussion can be eliminated.



ZYA-8000型



ZYA-9000型

※主要零件材料 Main part materials

公称压力 Nominal pressure		PN16	PN25
试验压力(MPa) Test pressure	壳体 Shell	2.4	3.75
	密封 Seal	1.76	2.75
容器腔压力(占管道压力百分比) Vessel pressure(the percent of pipe)		50~70%	
连接形式 connecting type		法兰 Flange	
适用介质 Suitable medium		无杂物的清水、污水 Pure water of non sundries, Sullage	
介质温度 Medium temperature		0~80℃	

※主要外形尺寸 Main exterior dimensions

ZYA-9000型		ZYA-9000型				ZYA-8000型					
公称通径(DN) Nominal dimension		L		公称通径(DN) Nominal dimension		L		公称通径(DN) Nominal dimension		D	L
管径(inch) Caliber	mm	1.6MPa	2.5MPa	管径(inch) Caliber	mm	1.6MPa	2.5MPa	管径(inch) Caliber	mm		
1/2	15	200	220	3	80	510	520	2	50	165	250
3/4	20	300	320	4	100	575	585	2½	65	185	320
1	25	320	340	5	125	600	600	3	80	200	375
1¼	32	340	355	6	150	645	645	4	100	220	450
1½	40	350	380	8	200	730	755	5	125	250	550
2	50	365	385	10	250	820	855	6	150	285	625
2½	65	465	485	12	300	920	955	8	200	340	810

法兰连接尺寸：按GB/T 9113-2010(RF)标准。
Flange connecting dimension: according to GB/T 9113-2010(RF) standard.



六十三、防爆波阀FA49H-10.16系列 Avoiding wave valve

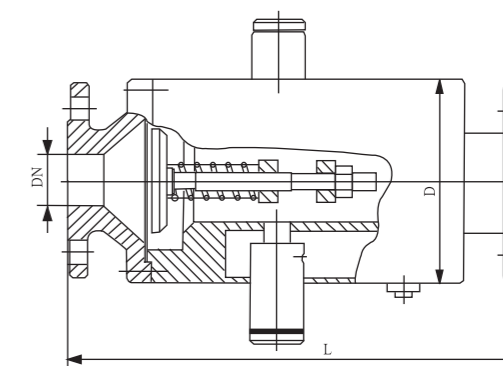
防爆波安全阀 Avoiding wave safety valve

※结构及用途

FA49H型防爆波安全阀，是一种既能消除水锤冲击波又能阻挡水锤冲击波的水用安全阀。它是由多组安全阀组成的产品，所起到的功能是单一安全阀无法达到的。该阀安装于给水工程管道的头部，以挡波和消波方式相结合，防止水锤冲击波沿着管道进入系统给水工程内部，从而达到消除破坏性水锤的冲击波，起到保护系统设施正常运转和安全防护的目的。

Structure and purpose

FA49H type Avoiding wave Safety valve can not only eliminate water hammer shock wave but also hold back water hammer shock wave. It is composed of multipacket safety valve and has more functions than single safety valve. The valve can be fixed in front of water supply pipeline to prevent water hammer shock wave from entering system inner, so the deatructive shock wave can be eliminated and the equipments can be protected for running normally and safely.



※主要技术参数 Main technology parameters

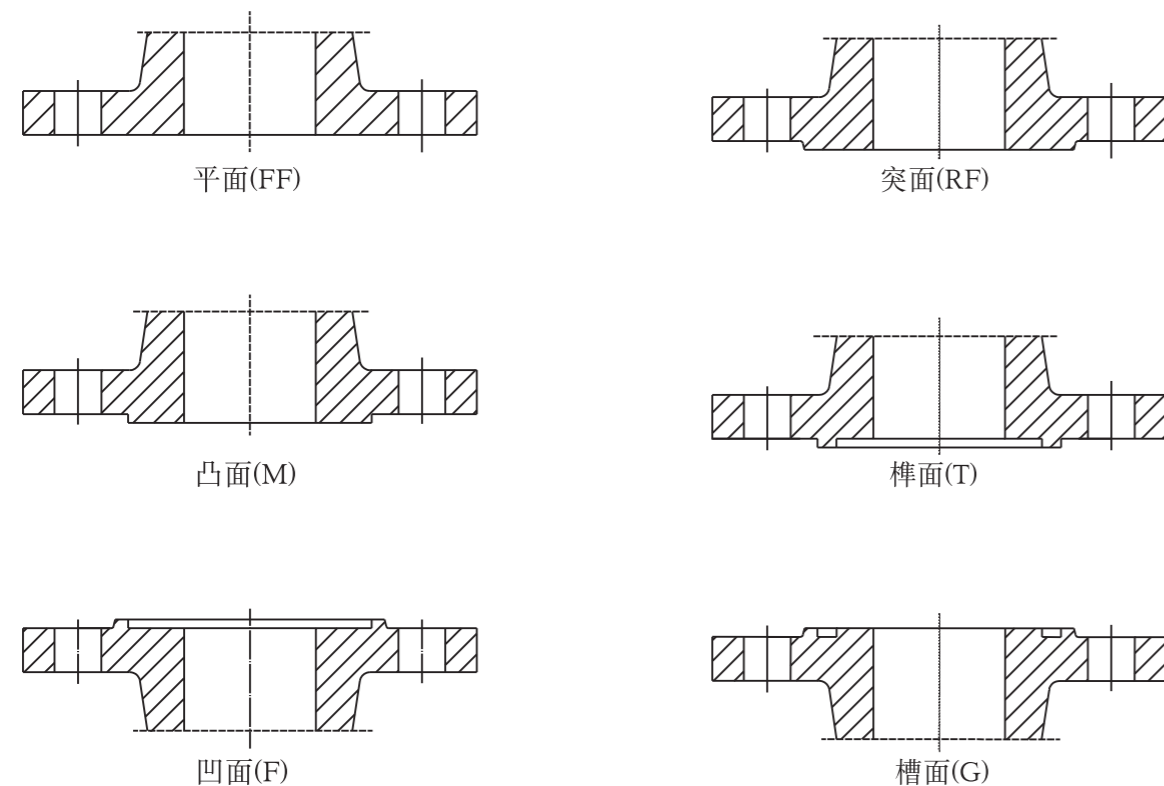
型号 Type	公称压力 Nominal pressure	工作压力(MPa) Working Pressure	壳体试验压力(MPa) Shell test pressure	介质温度 Medium temperature	适用介质 Suitable medium
FA94H-10	PN10	0.2	1.5	0~80℃	清水 Pure water
FA49H-16	PN16	0.25~0.5	2.4		

※主要外形尺寸 Main exterior dimensions

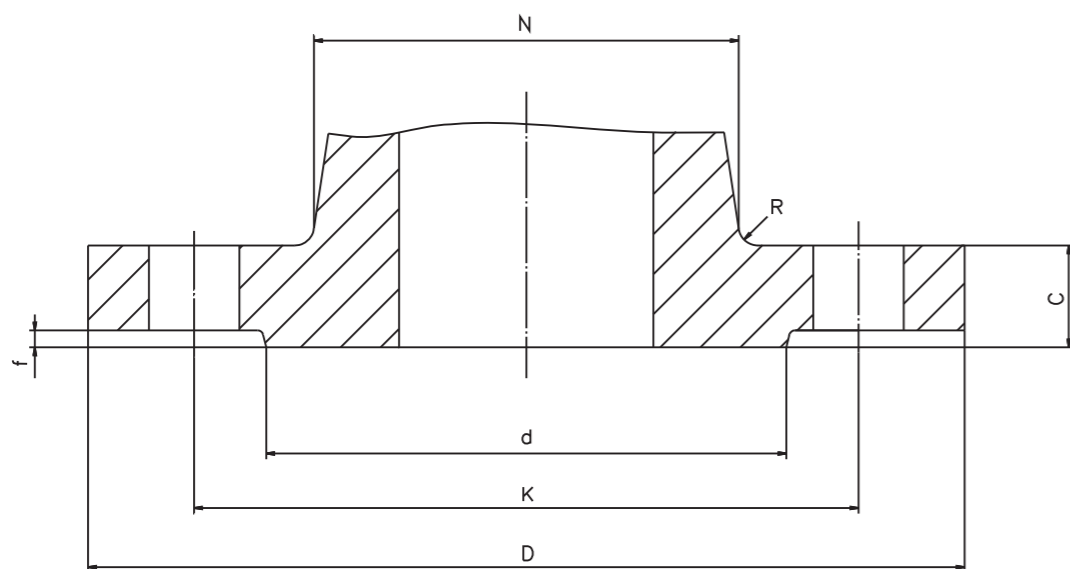
公称通径(DN) Nominal dimension	50	65	80	100	125	150	200
L	390	440	440	500	520	535	600
D	160	160	160	220	270	270	375

法兰连接尺寸：按GB/T 9113-2010标准。
Flange connecting dimension: according to GB/T 9113-2010 standard.

六十四、GB/T9113-2010 突面整体钢制管法兰
Raise face integral steel pipe flange



密封面形式 Sealing face type



GB/T9113-2010

表1 PN0.6MPa(6bar)平面、凸面整体钢制管法兰

Table one PN0.6MPa(6bar)plate, raise face integral steel pipe flange

mm

公称 通径 Nominal dimension DN	连接尺寸 Connecting dimension					密封面 Sealing face		法兰 厚度 Flange thickness C	法兰颈 Flange neck	
	法兰 外径 Flange external diameter D	螺栓孔 中心圆 直径 Bolt hole centre circle diameter K	螺栓 孔径 Bolt hole diameter	螺栓 Bolt		d	f		N	R
				数量 Number n	螺纹 规格 Screw norms					
10	75	50	11	4	M10	35	2	12	20	4
15	80	55	11	4	M10	40	2	12	26	4
20	90	65	11	4	M10	50	2	14	34	4
25	100	75	11	4	M10	60	2	14	44	4
32	120	90	14	4	M12	70	2	14	54	6
40	130	100	14	4	M12	80	3	14	64	6
50	140	110	14	4	M12	90	3	14	74	6
65	160	130	14	4	M12	110	3	14	94	6
80	190	150	18	4	M16	128	3	16	110	8
100	210	170	18	4	M16	148	3	16	130	8
125	240	200	18	8	M16	178	3	18	160	8
150	265	225	18	8	M16	202	3	18	182	10
200	320	280	18	8	M16	258	3	20	238	10
250	375	335	18	12	M16	312	3	22	284	12
300	440	395	22	12	M20	365	4	22	342	12
350	490	445	22	12	M20	415	4	22	392	12
400	540	495	22	16	M20	465	4	22	442	12
450	595	550	22	16	M20	520	4	22	494	12
500	645	600	22	20	M20	570	4	24	544	12
600	755	705	26	20	M24	670	5	30	642	12
700	860	810	26	24	M24	775	5	30(26)6	746	12
800	975	920	30	24	M27	880	5	30(26)6	850	12
900	1075	1020	30	24	M27	980	5	34(26)6	950	12
1000	1175	1120	30	28	M27	1080	5	38(26)6	1050	16
1200	1405	1340	33	32	M30	1295	5	42(26)6	1264	16
1400	1630	1560	36	36	M33	1510	5	56(26)6	1480	16
1600	1830	1760	36	40	M33	1710	5	63(26)6	1680	16
1800	2045	1970	39	44	M36	1920	5	69(26)6	1878	16
2000	2265	2180	42	48	M39	2125	5	74(26)6	2082	16

GB/T9113-2010

表2 PN1.0MPa(6bar)平面、凸面整体钢制管法兰

Table two PN1.0MPa(10bar)plate, raise face integral steel pipe flange mm

公称 通径 Nominal dimension DN	连接尺寸 Connecting dimension					密封面 Sealing face		法兰 厚度 Flange thickness C	法兰颈 Flange neck	
	法兰 外径 Flange external diameter D	螺栓孔 中心圆 直径 Bolt hole centre circle diameter K	螺栓 孔径 Bolt hole diameter	螺栓 Bolt		d	f		N	R
				数量 Number n	螺纹 规格 Screw norms					
10	使用PN4.0MPa法兰尺寸 Use PN4.0MPa flange dimension									
15										
20										
25										
32										
40										
50										
65										
80	使用PN1.6MPa法兰尺寸 Use PN1.6MPa flange dimension									
100										
125										
150										
200	340	295	22	8	M20	268	3	24	246	10
250	395	350	22	12	M20	320	3	26	298	12
300	445	400	22	12	M20	370	4	26	348	12
350	505	460	22	16	M20	430	4	26	408	12
400	565	515	26	16	M24	482	4	26	456	12
450	615	565	26	20	M24	532	4	28	502	12
500	670	620	26	20	M24	585	4	28	559	12
600	780	725	30	20	M27	685	5	34	658	12
700	895	840	30	24	M27	800	5	34	772	12
800	1015	950	33	24	M30	905	5	36	876	12
900	1115	1050	33	28	M30	1005	5	38	976	12
1000	1230	1160	36	28	M33	1110	5	38	1080	16
1200	1455	1380	39	32	M36	1330	5	44	1292	16
1400	1675	1590	42	36	M39	1535	5	48	1496	16
1600	1915	1820	48	40	M45	1760	5	52	1712	16
1800	2115	2020	48	44	M45	1960	5	56	1910	16
2000	2325	2230	48	48	M45	2170	5	60	2120	16

GB/T9113-2010

表3 PN1.6MPa(6bar)平面、凸面整体钢制管法兰

Table three PN1.6MPa(10bar)plate, raise face integral steel pipe flange mm

公称 通径 Nominal dimension DN	连接尺寸 Connecting dimension					密封面 Sealing face		法兰 厚度 Flange thickness C	法兰颈 Flange neck	
	法兰 外径 Flange external diameter D	螺栓孔 中心圆 直径 Bolt hole centre circle diameter K	螺栓 孔径 Bolt hole diameter	螺栓 Bolt		d	f		N	R
				数量 Number n	螺纹 规格 Screw norms					
10	使用PN4.0MPa法兰尺寸 Use PN4.0MPa flange dimension									
15										
20										
25										
32										
40										
50										
65										
80	185	145	18	8	M16	122	3	18	104	6
100	200	160	18	8	M16	138	3	20	120	6
125	220	180	18	8	M16	158	3	20	140	8
150	250	210	18	8	M16	188	3	22	170	8
200	285	240	22	8	M20	212	3	22	190	10
250	340	295	22	12	M20	268	3	24	246	10
300	405	355	26	12	M24	320	3	26	296	12
350	460	410	26	12	M24	378	4	28	350	12
400	520	470	26	16	M24	438	4	30	410	12
450	580	525	30	16	M27	490	4	32	458	12
500	640	585	30	20	M27	550	4	40	516	12
600	715	650	33	20	M30	610	4	44	576	12
700	840	770	36	20	M33	725	5	54	690	12
800	910	840	36	24	M33	795	5	40	760	12
900	1025	950	39	24	M36	900	5	42	862	12
1000	1125	1050	39	28	M36	1000	5	44	962	12
1200	1255	1170	42	28	M39	1115	5	46	1076	16
1400	1485	1390	48	32	M45	1330	5	52	1282	16
1600	1685	1590	48	36	M45	1530	5	58	1482	16
1800	1930	1820	55	40	M52	1750	5	64	1696	16
2000	2130	2020	55	44	M52	1950	5	68	1896	16
2000	2345	2230	60	48	M56	2150	5	70	2100	16



GB/T9113-2010

表4 PN2.5MPa(25bar)平面、凸面整体钢制管法兰

Table four PN2.5MPa(25bar)plate, raise face integral steel pipe flange mm

公称 口径 Nominal dimension DN	连接尺寸 Connecting dimension					密封面 Sealing face		法兰 厚度 Flange thickness C	法兰颈 Flange neck	
	法兰 外径 Flange external diameter D	螺栓孔 中心圆 直径 Bolt hole centre circle diameter K	螺栓 孔径 Bolt hole diameter	螺栓 Bolt		d	f		N	R
				数量 Number n	螺栓 规格 Screw norms					
10										
15										
20										
25										
32										
40										
50										
65										
80										
100										
125										
150										
使用PN4.0MPa法兰尺寸 Use PN4.0MPa flange dimension										
200	360	310	26	12	M24	278	3	30	252	10
250	425	370	30	12	M27	335	3	32	304	12
300	485	430	30	16	M27	395	4	34	364	12
350	555	490	33	16	M30	450	4	38	418	12
400	620	550	36	16	M33	505	4	40	472	12
450	670	600	36	20	M33	555	4	46	520	12
500	730	660	36	20	M33	615	4	48	580	12
600	845	770	39	20	M36	720	5	58	684	12
700	960	875	42	24	M39	820	5	50	780	12
800	1085	990	48	24	M45	930	5	54	882	12
900	1185	1090	48	28	M45	1030	5	58	982	12
1000	1320	1210	56	28	M52	1140	5	62	1086	16
1200	1530	1420	56	32	M52	1350	5	70	1296	16
1400	1755	1640	62	36	M56	1560	5	76	1508	16
1600	1975	1860	62	40	M56	1780	5	84	1726	16
1800	2195	2070	70	44	M64	1985	5	90	1920	16
2000	2425	2300	70	48	M64	2210	5	96	2150	16

GB/T9113-2010

表5 PN4.0MPa(40bar)平面、凸面整体钢制管法兰

Table five PN4.0MPa(40bar)plate, raise face integral steel pipe flange mm

公称 口径 Nominal dimension DN	连接尺寸 Connecting dimension					密封面 Sealing face		法兰 厚度 Flange thickness C	法兰颈 Flange neck	
	法兰 外径 Flange external diameter D	螺栓孔 中心圆 直径 Bolt hole centre circle diameter K	螺栓 孔径 Bolt hole diameter	螺栓 Bolt		d	f		N	R
				数量 Number n	螺栓 规格 Screw norms					
10	90	60	14	4	M12	40	2	16	28	4
15	95	65	14	4	M12	45	2	16	32	4
20	105	75	14	4	M12	58	2	18	40	4
25	115	85	14	4	M12	68	2	18	50	4
32	140	100	18	4	M16	78	2	18	60	6
40	150	110	18	4	M16	88	3	18	70	6
50	165	125	18	4	M16	102	3	20	84	6
65	185	145	18	8	M16	122	3	22	104	6
80	200	160	18	8	M16	138	3	24	120	8
100	235	190	22	8	M20	162	3	24	142	8
125	270	220	26	8	M24	188	3	26	162	8
150	300	250	26	8	M24	218	3	28	192	10
200	375	320	30	12	M27	285	3	34	254	10
250	450	385	33	12	M30	345	3	38	312	12
300	515	450	33	16	M30	410	4	42	378	12
350	580	510	36	16	M33	465	4	46	432	12
400	660	585	39	16	M36	535	4	50	498	12
450	685	610	39	20	M36	560	4	57	522	12
500	755	670	42	20	M39	615	4	57	576	12
600	890	795	48	20	M45	735	5	72	686	12

GB/T9113-2010

表6 PN6.3MPa(63bar)平面、凸面整体钢制管法兰

Table six PN6.3MPa(63bar)plate, raise face integral steel pipe flange mm

公称 口径 Nominal dimension DN	连接尺寸 Connecting dimension					密封面 Sealing face		法兰 厚度 Flange thickness C	法兰颈 Flange neck	
	法兰 外径 Flange external diameter D	螺栓孔 中心圆 直径 Bolt hole centre circle diameter K	螺栓 孔径 Bolt hole diameter	螺栓 Bolt		d	f		N	R
				数量 Number n	螺栓 规格 Screw norms					
10	100	70	14	4	M12	40	2	20	40	4
15	105	75	14	4	M12	45	2	20	45	4
20	130	90	18	4	M16	58	2	22	50	4
25	140	100	18	4	M16	68	2	24	61	4
32	155	110	22	4	M20	78	2	26	68	6
40	170	125	22	4	M20	88	3	26	82	6
50	180	135	22	4	M20	102	3	26	90	6
65	205	160	22	8	M20	122	3	26	105	6
80	215	170	22	8	M20	138	3	28	122	8
100	250	200	26	8	M24	162	3	30	146	8
125	295	240	30	8	M27	188	3	34	177	8
150	345	280	33	8	M30	218	3	36	204	10
200	415	345	36	12	M33	285	3	42	264	10
250	470	400	36	12	M33	345	3	46	320	12
300	530	460	36	16	M33	410	4	52	378	12
350	600	525	39	16	M36	465	4	56	434	12
400	670	585	42	16	M39	535	4	60	490	12

GB/T9113-2010

表7 PN10.0MPa(100bar)平面、凸面整体钢制管法兰

Table seven PN10.0MPa(100bar)plate, raise face integral steel pipe flange mm

公称 通径 Nominal dimension DN	连接尺寸 Connecting dimension					密封面 Sealing face		法兰 厚度 Flange thickness C	法兰颈 Flange neck	
	法兰 外径 Flange external diameter D	螺栓孔 中心圆 直径 Bolt hole centre circle diameter K	螺栓 孔径 Bolt hole diameter	螺栓 Bolt		d	f		N	R
				数量 Number n	螺纹 规格 Screw norms					
10	100	70	14	4	M12	40	2	20	40	4
15	105	75	14	4	M12	45	2	20	45	4
20	130	90	18	4	M16	58	2	22	50	4
25	140	100	18	4	M16	68	2	24	61	4
32	155	110	22	4	M20	78	2	26	68	6
40	170	125	22	4	M20	88	3	28	82	6
50	195	145	26	4	M24	102	3	30	96	6
65	220	170	26	8	M24	122	3	34	118	6
80	230	180	26	8	M24	138	3	36	128	8
100	265	210	30	8	M27	162	3	40	150	8
125	315	250	33	8	M30	188	3	40	185	8
150	355	290	33	12	M30	218	3	44	216	10
200	430	360	36	12	M33	285	3	52	278	10
250	505	430	39	12	M36	345	3	60	340	12
300	585	500	42	16	M39	410	4	68	407	12
350	655	560	48	16	M45	465	4	74	460	12

GB/T9113-2010

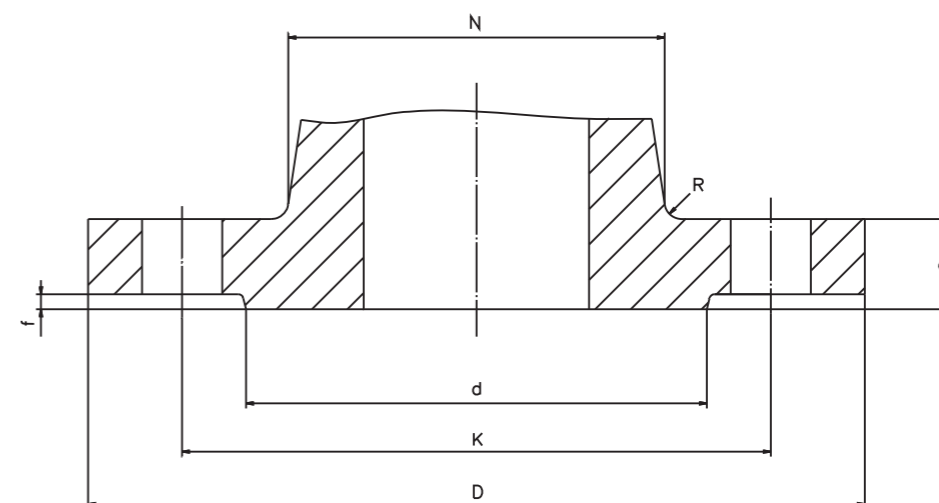
表8 PN16MPa(160bar)平面、凸面整体钢制管法兰

Table eight PN16MPa(160bar)plate, raise face integral steel pipe flange mm

公称 通径 Nominal dimension DN	连接尺寸 Connecting dimension					密封面 Sealing face		法兰 厚度 Flange thickness C	法兰颈 Flange neck	
	法兰 外径 Flange external diameter D	螺栓孔 中心圆 直径 Bolt hole centre circle diameter K	螺栓 孔径 Bolt hole diameter	螺栓 Bolt		d	f		N	R
				数量 Number n	螺纹 规格 Screw norms					
10	100	70	14	4	M12	40	2	20	40	4
15	105	75	14	4	M12	45	2	20	45	4
20	130	90	18	4	M16	58	2	24	50	4
25	140	100	18	4	M16	68	2	24	61	4
32	155	110	22	4	M20	78	2	28	68	4
40	170	125	22	4	M20	88	3	28	82	4
50	195	145	26	4	M24	102	3	30	96	4
65	220	170	26	8	M24	122	3	34	118	5
80	230	180	26	8	M24	138	3	36	128	5
100	265	210	30	8	M27	162	3	40	150	5
125	315	250	33	8	M30	188	3	44	184	6
150	355	290	33	12	M30	218	3	50	224	6
200	430	360	36	12	M33	285	3	60	288	8
250	515	430	42	12	M36	345	3	68	346	8
300	585	500	42	16	M39	410	4	78	414	10

六十五、GB/T 17241.6-1998 铸铁管法兰

Cast iron pipe flange



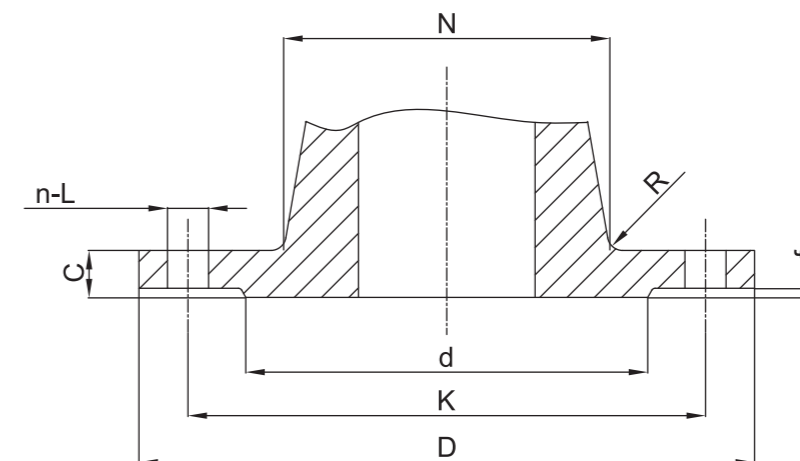
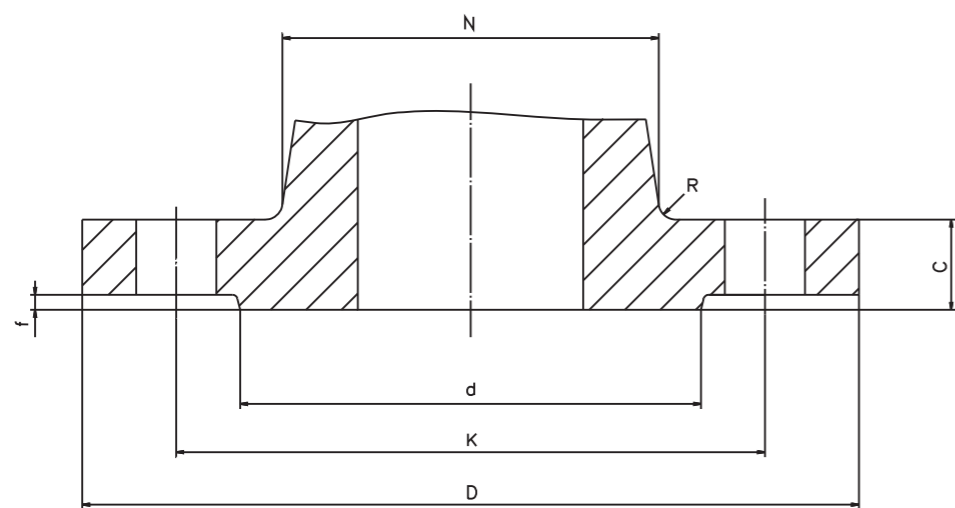
PN6 标准(standard)

公称通径(DN) Nominal dimension	尺寸 Dimension (mm)					
	D	D1	D2	b	f	Z-Φd
10	75	50	33	12	2	4-11
15	80	55	38	12	2	4-11
20	90	65	48	14	2	4-11
25	100	75	58	14	2	4-11
32	120	90	69	16	3	4-14
40	130	100	78	16	3	4-14
50	140	110	88	16	3	4-14
65	160	130	108	16	3	4-14
80	190	150	124	18	3	4-19
100	210	170	144	18	3	4-19
125	240	200	174	20	3	8-19
150	265	225	199	20	3	8-19
200	320	280	254	22	3	8-19
250	375	335	309	24	3	12-19
300	440	395	363	24	4	12-23
350	490	445	413	26	4	12-23
400	540	495	463	28	4	16-23
450	595	550	518	28	4	16-23
500	645	600	568	30	4	20-23
600	755	705	667	30	5	20-26
700	860	810	772	32	5	24-26
800	975	920	878	34	5	24-31
900	1075	1020	978	36	5	24-31
1000	1175	1120	1078	36	5	28-31
1200	1405	1340	1295	40	5	32-34
1400	1630	1560	1510	44	5	36-37
1600	1830	1760	1710	48	5	40-37
1800	2045	1970	1918	50	5	44-40
2000	2265	2180	2125	54	5	48-43

PN10 标准(standard)

公称通径(DN) Nominal dimension	尺寸 Dimension (mm)					
	D	D1	D2	b	f	Z-Φd
10	90	60	41	14	2	4-14
15	95	65	46	14	2	4-14
20	105	75	56	16	2	4-14
25	115	85	65	16	2	4-14
32	140	100	76	18	2	4-19
40	150	110	84	18	3	4-19
50	165	125	99	20	3	4-19
65	185	145	118	20	3	4-19
80	200	160	132	22	3	8-19
100	220	180	156	24	3	8-19
125	250	210	184	26	3	8-19
150	285	240	211	26	3	8-23
200	340	295	266	26	3	8-23
250	395	350	319	28	3	12-23
300	445	400	370	28	4	12-23
350	505	460	429	30	4	16-23
400	565	515	480	32	4	16-28
450	615	565	530	32	4	20-28
500	670	620	582	34	4	20-28
600	780	725	682	36	5	20-31
700	895	840	794	40	5	24-31
800	1015	950	901	44	5	24-34
900	1115	1050	1001	46	5	28-34
1000	1230	1160	1112	50	5	28-37
1200	1455	1380	1328	56	5	32-40
1400	1675	1590	1530	62	5	36-43
1600	1915	1820	1750	68	5	40-49
1800	2115	2020	1950	70	5	44-49
2000	2325	2230	2150	74	5	48-49

六十六、HG/T 20592-2009 整体钢制管法兰CPN系列
Integral steel pipe flange



PN16 标准(standard)

公称通径(DN) Nominal dimension	尺寸 Dimension (mm)					
	D	D1	D2	b	f	Z-Φd
10	90	60	41	14	2	4-14
15	95	65	46	14	2	4-14
20	105	75	56	16	2	4-14
25	115	85	65	16	2	4-14
32	140	100	76	18	2	4-19
40	150	110	84	18	3	4-19
50	165	125	99	20	3	4-19
65	185	145	118	20	3	4-19
80	200	160	132	22	3	8-19
100	220	180	156	24	3	8-19
125	250	210	184	26	3	8-19
150	285	240	211	26	3	8-23
200	340	295	266	30	3	12-23
250	405	355	319	32	3	12-28
300	460	410	370	32	4	12-28
350	520	470	429	36	4	16-28
400	580	525	480	38	4	16-31
450	640	585	548	40	4	20-31
500	715	650	609	42	4	20-34
600	840	770	720	48	5	20-37
700	910	840	794	54	5	24-37
800	1025	950	901	58	5	24-40
900	1125	1050	1001	62	5	28-40
1000	1255	1170	1112	66	5	28-43

表1 PN6 整体钢制管法兰
Table one PN6, integral steel pipe flange

mm

公称通径 Nominal dimension DN	连接尺寸 Connecting dimension					法兰厚度 Flange thickness C	法兰颈 Flange neck			
	法兰外径 Flange external diameter D	螺栓孔中心圆直径 Bolt hole centre circle diameter K	螺栓孔径 Bolt hole diameter	螺栓 Bolt			N	R	S ₀	S ₁
				数量 Number n	螺纹规格 Screw norms					
10	75	50	11	4	M10	12	20	4	3	5
15	80	55	11	4	M10	12	26	4	3	5.5
20	90	65	11	4	M10	14	34	4	3.5	7
25	100	75	11	4	M10	14	44	4	4	9.5
32	120	90	14	4	M12	14	54	6	4	11
40	130	100	14	4	M12	14	64	6	4.5	12
50	140	110	14	4	M12	14	74	6	5	12
65	160	130	14	4	M12	14	94	6	6	14.5
80	190	150	18	4	M16	16	110	8	7	15
100	210	170	18	4	M16	16	130	8	8	15
125	240	200	18	8	M16	18	160	8	9	17.5
150	265	225	18	8	M16	18	182	10	10	16
200	320	280	18	8	M16	20	238	10	11	19
250	375	335	18	12	M16	22	284	12	11	17
300	440	395	22	12	M20	22	342	12	12	21
350	490	445	22	12	M20	22	392	12	14	21
400	540	495	22	16	M20	22	442	12	15	21
450	595	550	22	16	M20	22	494	12	16	22
500	645	600	22	20	M20	24	544	12	16	22
600	755	705	26	20	M24	30	642	12	17	21
700	860	810	26	24	M24	24	746	12	17	23
800	975	920	30	24	M27	24	850	12	18	25
900	1075	1020	30	24	M27	26	950	12	18	25
1000	1175	1120	30	28	M27	26	1050	16	19	25
1200	1405	1340	33	32	M30	28	1264	16	20	32
1400	1630	1560	36	36	M33	32	1480	16	22	40
1600	1830	1760	36	40	M33	34	1680	16	24	40
1800	2045	1970	39	44	M36x3	36	1878	16	26	39
2000	2265	2180	42	48	M39x3	38	2082	16	28	41

表2 PN10 整体钢制管法兰
Table two PN10, integral steel pipe flange

mm

公称 口径 Nominal dimension DN	连接尺寸 Connecting dimension					法兰 厚度 Flange thickness C	法兰颈 Flange neck			
	法兰 外径 Flange external diameter D	螺栓孔 中心圆 直径 Bolt hole centre circle diameter K	螺栓 孔径 Bolt hole diameter	螺栓 Bolt			N	R	So	S1
				数量 Number n	螺纹 规格 Screw norms					
10	90	60	14	4	M12	16	28	4	6	10
15	95	65	14	4	M12	16	32	4	6	11
20	105	75	14	4	M12	18	40	4	6.5	12
25	115	85	14	4	M12	18	50	4	7	14
32	140	100	18	4	M16	18	60	6	7	14
40	150	110	18	4	M16	18	70	6	7.5	14
50	165	125	18	4	M16	18	84	5	8	15
65	185	145	18	8	M16	18	104	6	8	14
80	200	160	18	8	M16	20	120	6	8.5	15
100	220	180	18	8	M16	20	140	8	9.5	15
125	250	210	18	8	M16	22	170	8	10	17
150	285	240	22	8	M20	22	190	10	11	17
200	340	295	22	8	M20	24	246	10	12	23
250	394	350	22	12	M20	26	298	12	14	24
300	445	400	22	12	M20	26	348	12	15	24
350	505	460	22	16	M20	26	408	12	16	29
400	565	515	26	16	M24	26	456	12	18	28
450	615	565	26	20	M24	28	502	12	20	26
500	670	620	26	20	M24	28	559	12	21	29.5
600	780	725	30	20	M27	34	658	12	23	29
700	895	840	30	24	M27	34	772	12	24	36
800	1015	950	33	24	M30	36	876	12	26	38
900	1115	1050	33	28	M30	38	976	12	27	38
1000	1230	1160	36	28	M33	38	1080	16	29	40
1200	1455	1380	39	32	M36x3	44	1292	16	32	46
1400	1675	1590	42	36	M39x3	48	1496	16	34	48
1600	1915	1820	48	40	M45x3	52	1712	16	36	56
1800	2115	2020	48	44	M45x3	56	1910	16	39	55
2000	2325	2230	48	48	M45x3	60	2120	16	41	60

表3 PN16 整体钢制管法兰
Table three PN16, integral steel pipe flange

mm

公称 口径 Nominal dimension DN	连接尺寸 Connecting dimension					法兰 厚度 Flange thickness C	法兰颈 Flange neck			
	法兰 外径 Flange external diameter D	螺栓孔 中心圆 直径 Bolt hole centre circle diameter K	螺栓 孔径 Bolt hole diameter	螺栓 Bolt			N	R	So	S1
				数量 Number n	螺纹 规格 Screw norms					
10	90	60	14	4	M12	16	28	4	6	10
15	95	65	14	4	M12	16	32	4	6	11
20	105	75	14	4	M12	18	40	4	6.5	12
25	115	85	14	4	M12	18	50	4	7	14
32	140	100	18	4	M16	18	60	6	7	14
40	150	110	18	4	M16	18	70	6	7.5	14
50	165	125	18	4	M16	18	84	5	8	15
65	185	145	18	8	M16	18	104	6	8	14
80	200	160	18	8	M16	20	120	6	8.5	15
100	220	180	18	8	M16	20	140	8	9.5	15
125	250	210	18	8	M16	22	170	8	10	17
150	285	240	22	8	M20	22	190	10	11	17
200	340	295	22	12	M20	24	246	10	12	18
250	405	355	26	12	M24	26	296	12	14	20
300	460	410	26	12	M24	28	350	12	15	21
350	520	470	26	16	M24	30	410	12	16	23
400	580	525	30	16	M27	32	458	12	18	24
450	640	585	30	20	M27	40	516	12	20	27
500	715	650	33	20	M30	44	576	12	21	30
600	840	770	36	20	M33	54	690	12	23	30
700	910	840	36	24	M33	42	760	12	24	32
800	1025	950	39	24	M36x3	42	862	12	26	33
900	1125	1050	39	28	M36x3	44	962	12	27	35
1000	1255	1170	42	28	M39x3	46	1076	16	29	39
1200	1485	1390	48	32	M45x3	52	1282	16	32	44
1400	1685	1590	48	36	M45x3	58	1482	16	34	48
1600	1930	1820	55	40	M52x4	64	1696	16	36	51
1800	2130	2020	55	44	M52x4	68	1896	16	39	52
2000	2345	2230	60	48	M56x4	70	2100	16	41	56

表4 PN25 整体钢制管法兰
Table fore PN25, integral steel pipe flange mm

公称通径 Nominal dimension DN	连接尺寸 Connecting dimension					法兰厚度 Flange thickness C	法兰颈 Flange neck			
	法兰外径 Flange external diameter D	螺栓孔中心圆直径 Bolt hole centre circle diameter K	螺栓孔径 Bolt hole diameter	螺栓 Bolt			N	R	So	S1
				数量 Number n	螺纹规格 Screw norms					
10	90	60	14	4	M12	16	28	4	6	10
15	95	65	14	4	M12	16	32	4	6	11
20	105	75	14	4	M12	18	40	4	6.5	12
25	115	85	14	4	M12	18	50	4	7	14
32	140	100	18	4	M16	18	60	6	7	14
40	150	110	18	4	M16	18	70	6	7.5	14
50	165	125	18	4	M16	20	84	6	8	15
65	185	145	18	8	M16	22	104	6	8.5	17
80	200	160	18	8	M16	24	120	8	9	18
100	235	190	22	8	M20	24	142	8	10	18
125	270	220	26	8	M24	26	162	8	11	20
150	300	250	26	8	M24	28	192	10	12	21
200	360	310	26	12	M24	30	252	10	12	23
250	425	370	30	12	M27	32	304	12	14	24
300	485	430	30	16	M27	34	364	12	15	26
350	555	490	33	16	M30	38	418	12	16	29
400	620	550	36	16	M33	40	472	12	18	30
450	670	600	36	20	M33	46	520	12	19	31
500	730	660	36	20	M33	48	580	12	21	33
600	845	770	39	20	M36x3	58	684	12	23	35
700	960	875	42	24	M36x3	50	780	12	24	38
800	1085	990	48	24	M45x3	54	882	12	26	41
900	1185	1090	48	28	M45x3	58	982	12	27	44
1000	1320	1210	55	28	M52x4	62	1086	16	29	47
1200	1530	1420	55	32	M52x4	70	1296	18	32	53

表5 PN40 整体钢制管法兰
Table five PN40, integral steel pipe flange mm

公称通径 Nominal dimension DN	连接尺寸 Connecting dimension					法兰厚度 Flange thickness C	法兰颈 Flange neck			
	法兰外径 Flange external diameter D	螺栓孔中心圆直径 Bolt hole centre circle diameter K	螺栓孔径 Bolt hole diameter	螺栓 Bolt			N	R	So	S1
				数量 Number n	螺纹规格 Screw norms					
10	90	60	14	4	M12	16	28	4	6	10
15	95	65	14	4	M12	16	32	4	6	11
20	105	75	14	4	M12	18	40	4	6.5	12
25	115	85	14	4	M12	18	50	4	7	14
32	140	100	18	4	M16	18	60	6	7	14
40	150	110	18	4	M16	18	70	6	7.5	14
50	165	125	18	4	M16	20	84	6	8	15
65	185	145	18	8	M16	22	104	6	8.5	17
80	200	160	18	8	M16	24	120	8	9	18
100	235	190	22	8	M20	24	142	8	10	18
125	270	220	26	8	M24	26	162	8	11	20
150	300	250	26	8	M24	28	192	10	12	21
200	375	320	30	12	M27	34	254	10	14	26
250	450	385	33	12	M30	38	312	12	16	29
300	515	450	33	16	M30	42	378	12	17	32
350	580	510	36	16	M33	46	432	12	19	35
400	660	585	39	16	M36x3	50	498	12	21	38
450	685	610	39	20	M36x3	57	522	12	21	38
500	755	670	42	20	M39x3	57	576	12	21	39
600	890	795	48	20	M45x3	72	686	12	24	45

六十七、JB/T 79.1-1994 凸面整体铸钢管法兰
Raise face integral steel pipe flange

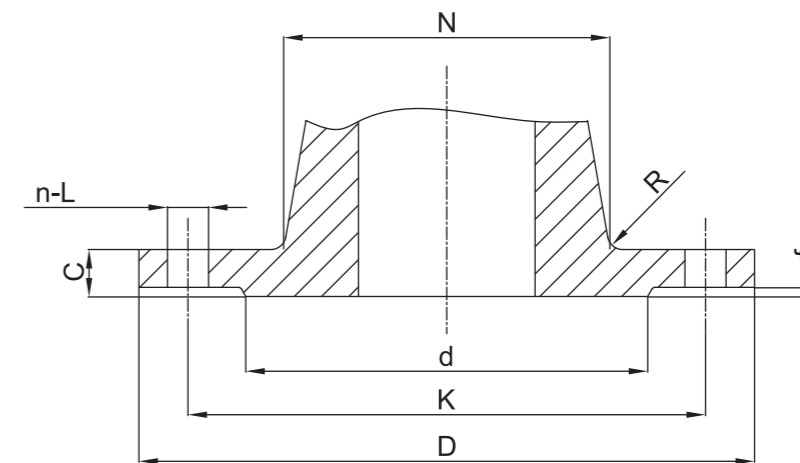


表1 PN16 凸面整体铸钢管法兰
Table one PN16, raise face integral steel pipe flange mm

公称通径 Nominal dimension DN	连接尺寸 Connecting dimension					密封面 Sealing face		法兰厚度 Flange thickness C	法兰颈 Flange neck		
	法兰外径 Flange external diameter D	螺栓孔中心圆直径 Bolt hole centre circle diameter K	螺栓孔径 Bolt hole diameter	螺栓 Bolt		d	f		Nmax	Smax	R
				数量 Number n	螺纹规格 Screw norms						
15	95	65	14	4	M12	45	2	14	39	12	4
20	105	75	14	4	M12	55	2	14	44	12	4
25	115	85	14	4	M12	65	2	14	49	12	4
32	140/135	100	18	4	M16	78	2	16	56	12	4
40	150/145	110	18	4	M16	85	3	16	64	12	4
50	165/160	125	18	4	M16	100	3	16	74	12	5
65	185/180	145	18	4	M16	120	3	18	95	15	5
80	200/195	160	18	8	M16	135	3	20	110	15	5
100	220/215	180	18	8	M16	155	3	20	130	15	5
125	250/245	210	18	8	M16	185	3	22	161	18	6
150	285/280	240	23	8	M20	210	3	24	186	18	6
175	310	270	23	8	M20	240	3	26	215	20	6
200	340/335	295	23	12	M20	265	3	26	240	20	6
225	365	325	23	12	M20	295	3	26	269	22	6
250	405	355	26/25	12	M24/M22	320	3	30	298	24	8
300	460	410	26/25	12	M24/M22	375	4	30	348	24	8
350	520	470	26/25	16	M24/M22	435	4	34	402	26	8
400	580	525	30	16	M27	485	4	36	456	28	10
450	640	585	30	20	M27	545	4	40	510	30	10
500	715/705	650	34	20	M30	608	4	44	564	32	10
600	840	770	36/41	20	M33/M36	718	5	48	672	36	10
700	910	840	36/41	24	M33/M36	788	5	50	776	38	12
800	1025/1020	950	41	24	M36	898	5	52	880	40	12
900	1125/1120	1050	41	28	M36	998	5	54	984	42	12
1000	1255	1170	42/48	28	M39/M42	1110	5	56	1084	42	12
1200	1485	1390	48/50	32	M45/M48	1325	5	58	1288	44	15
1400	1685	1590	48/50	36	M45/M48	1525	5	60	1492	46	15
1600	1930	1820	58	40	M52	1750	5	68	1704	52	18

表2 PN25 凸面整体铸钢管法兰
Table two PN25, raise face integral steel pipe flange mm

公称 口径 Nominal dimension DN	连接尺寸 Connecting dimension					密封面 Sealing face		法兰 厚度 Flange thickness C	法兰颈 Flange neck		
	法兰 外径 Flange external diameter D	螺栓孔 中心圆 直径 Bolt hole centre circle diameter K	螺栓 孔径 Bolt hole diameter	螺栓 Bolt		d	f		N _{max}	S _{max}	R
				数量 Number n	螺纹 规格 Screw norms						
15	95	65	14	4	M12	45	2	16	39	12	4
20	105	75	14	4	M12	55	2	16	44	12	5
25	115	85	14	4	M12	65	2	16	49	12	5
32	140/135	100	18	4	M16	78	2	18	62	15	5
40	150/145	110	18	4	M16	85	3	18	70	15	5
50	165/160	125	18	4	M16	100	3	20	80	15	5
65	185/180	145	18	8	M16	120	3	22	101	18	6
80	200/195	160	18	8	M16	135	3	22	116	18	6
100	230	190	23	8	M20	160	3	24	136	18	6
125	270	220	26/25	8	M24/M22	188	3	28	169	22	8
150	300	250	26/25	8	M24/M22	218	3	30	198	24	8
175	330	280	26/25	12	M24/M22	248	3	32	223	24	8
200	360	310	26/25	12	M24/M22	278	3	34	252	26	8
225	395	340	30	12	M27	302	3	36	281	28	8
250	425	370	30	12	M27	332	3	36	306	28	10
300	485	430	30	16	M27	390	4	40	360	30	10
350	555/550	490	34	16	M30	448	4	44	418	34	10
400	620/610	550	36/34	16	M33/M30	505	4	48	472	36	10
450	670/660	600	36/34	20	M33/M30	555	4	50	522	38	12
500	730	660	36/41	20	M33/M36	610	4	52	580	40	12
600	845/840	770	41	20	M36	718	5	56	684	42	12
700	960/955	875	42/48	24	M39/M42	815	5	60	792	46	12
800	1085/1070	990	48	24	M45/M42	930	5	64	896	48	15
900	1185/1180	1090	48/54	28	M45/M48	1025	5	66	1000	50	15
1000	1320/1305	1210	58	28	M52	1140	5	68	1104	52	18
1200	1520/1525	1420	58	32	M52	1350	5	72	1308	54	18
1400	1755/1750	1460	65	36	M56	1560	5	78	1516	58	18

表3 PN40 凸面整体铸钢管法兰
Table three PN40, raise face integral steel pipe flange mm

公称 口径 Nominal dimension DN	连接尺寸 Connecting dimension					密封面 Sealing face		法兰 厚度 Flange thickness C	法兰颈 Flange neck		
	法兰 外径 Flange external diameter D	螺栓孔 中心圆 直径 Bolt hole centre circle diameter K	螺栓 孔径 Bolt hole diameter	螺栓 Bolt		d	f		N _{max}	S _{max}	R
				数量 Number n	螺纹 规格 Screw norms						
15	95	65	14	4	M12	45	2	16	39	12	4
20	105	75	14	4	M12	55	2	16	44	12	5
25	115	85	14	4	M12	65	2	16	49	12	5
32	140/135	100	18	4	M16	78	2	18	62	15	5
40	150/145	110	18	4	M16	85	3	18	70	15	5
50	165/160	125	18	4	M16	100	3	20	80	15	5
65	185/180	145	18	8	M16	120	3	22	101	18	6
80	200/195	160	18	8	M16	135	3	22	116	18	6
100	235/230	190	23	8	M20	160	3	24	140	20	6
125	270	220	26/25	8	M24/M22	188	3	28	169	22	8
150	300	250	26/25	8	M24/M22	218	3	30	198	24	8
175	350	295	30	12	M27	258	3	34	231	28	10
200	375	320	30	12	M27	282	3	38	256	28	10
225	415	355	34	12	M30	315	3	40	285	30	10
250	450/445	385	34	12	M30	345	3	42	314	32	10
300	510/510	450	34	16	M30	408	4	46	368	34	12
350	580/570	510	36/34	16	M33/M30	465	4	52	430	40	12
400	660/655	585	41	16	M36	535	4	58	488	44	12
450	685/680	610	41	20	M36	560	4	60	542	46	14
500	755	670	42/48	20	M39/M42	612	4	62	592	46	15
600	890	795	48/54	20	M45/M48	730	5	62	696	48	15
700	995	900	48/54	24	M45/M48	835	5	68	804	52	18
800	1140/1135	1030	58	24	M52	960	5	76	920	60	18

六十八、阀门驱动装置的选用 (公称压力 \leq PN16)

Selection of valve driving device (Nominal pressure \leq PN16)

阀门选用驱动装置时，应注意事项如下：

1. 根据阀门使用场合和用途，确定驱动方式：手动、电动、气动、液动。

2. 手动方式选用：

- 球阀、蝶阀的规格 \leq DN150可以选用手柄驱动；规格 \geq DN200时应选用蜗轮箱驱动。
- 闸阀的规格 \leq DN400可以选用手轮驱动；规格 \geq DN450时应选用齿轮箱驱动。
- 闸门的规格 \leq 600X600可以选用手轮启闭机；规格 \geq 700X700应选用齿轮箱启闭机。
- 截止阀的规格 \leq DN150可以选用手轮驱动。

3. 电动方式选用：

- 首先确定电动装置的类型：开关型多回转电装、开关型部分回转电装；调节型多回转电装、调节型部分回转电装、电动角行程执行器、电动直行程执行器。
- 开关型电装用于全启全闭的切断阀。闸阀、刀闸阀、截止阀用开关型多回转电装；蝶阀和球阀采用开关型部分回转电装，但是蝶阀规格 \geq DN800时采用多回转电装+蜗轮箱的驱动方式。开关型电装输出开、关电信号，可以远程集中控制。开关型电装一般带手动功能。
- 调节型电装用于需要连续调节介质流量的调节阀，电装控制阀门的启闭件可以停留在行程的任何位置。刀闸阀和节流阀用调节型多回转电装；蝶阀和球阀用调节型部分回转电装；风门挡板和烟道蝶阀采用电动角行程执行器；单、双座调节阀用电动直行程执行器。
调节型电装的控制方式有：
比例调节型-输入模拟控制信号，闭环控制，自动调节；
远控型-输入持续触点信号，电装就持续运转；信号消失，电装停止运转，可以将阀门启闭件控制在任意位置，并输出位置反馈信号，开环控制。
各种调节型电装是终端执行机构，均需用户配备控制仪表系统或计算机控制系统。
- 电动阀门订货时，用户应注意电源参数、安装方式、输出力矩、行程、控制信号、防护等级、防爆级别等性能是否符合您的要求。
- 电动阀门安装接线前应仔细阅读使用说明书，照章操作。

4. 气动方式选用：

- 首先确定气动装置的类型：开关型气装、调节型气装。
- 确定气动装置的结构：单缸单作用、单缸双作用、双缸单作用、双缸双作用。
- 闸阀、刀闸阀、截止阀采用气缸垂直安装的开关型气装直接驱动启闭件，一般作启闭用。蝶阀和球阀采用水平气缸推动拨叉或齿条驱动启闭件 90° 回转的部分回转气装，可以作启闭用，也可以加装定位器成为调节型阀门。
- 气动装置通常是积木式模块设计，根据工况需要可以组装成各种性能的开关型、调节型气装。
常用的模块化部件有：电磁换向阀、信号盒、定位器、手动机构、保压储气罐和气源三联件等，用户可以按工况需要选用。
- 气动阀门正常工作需要气源压力0.4~0.6MPa，用户对气源压力有特殊要求应在合同中注明。
- 气动阀门安装使用前应仔细阅读使用说明书，照章操作。

5. 液动方式选用：

- 液动方式有油缸直行程驱动型、90° 回转重锤型、90° 回转蓄能器型、电液推杆型。
- 电液推杆是机电液一体化装置，其余各种液动方式的液压站可以与驱动油缸、阀门一体化设计制造，也可以将液压站与阀门分体制造，单独安装。用户可根据现场需要进行选择。
- 闸阀、闸门、刀闸阀、截止阀可选用油缸直行程驱动型或电液推杆型；蝶阀和球阀应选用 90° 回转重锤型或者蓄能器型，也可以选用电液推杆驱动。
- 液动阀门安装应按照使用说明书的要求，调试应有厂家技术人员现场指导。

六十九、阀门的选用 Selection of Valves

阀门选定和管道设计时，应注意事项如下：

Selection of valves and design of pipes shall comply with the following principals:

- 根据阀门使用场所、用途，且了解有关法规、规格、标准、方针、许用认可后既可选用适合各种要求的阀门；
In terms of places and purposes of valves, the suitable valves can be selected after overall knowing relevant laws, specifications, standards, principals and permission;
- 确定阀门的工作条件、适用介质、工作压力、介质温度；
Need to specify the working condition, the applicable medium, the working pressure and the working temperature of valves;
- 确定与管道相匹配的公称通径：DN (mm)；
Need to specify the nominal diameter to match for the pipe line;
- 确定与管道相连接方式：法兰式、内（外）螺纹式、焊接式、对夹式、卡箍式、卡套式等；
Need to specify the connecting type to the pipe line, including flanged type, inside & outside screwed type, welded type, wafer type, compression cone type and clipped type etc.;
- 确定阀门的操作方式：手动、蜗轮动、气动、电动、液动、电磁动、电液动等；
Need to specify the operating type of the valve, including hand wheel, worm gear, pneumatic actuator, hydraulic actuator, electromagnetic actuator and electromagnetic-hydraulic actuator etc.;
- 确定阀门的类型：闸阀、截止阀、节流阀、柱塞阀、球阀、蝶阀、隔膜阀、旋塞阀、止回阀、安全阀、减压阀、疏水阀及其他特种阀；
Need to specify the type of the valve, including gate valve, globe valve, throttle valve, ball valve, butterfly valve, diaphragm valve, plug valve, check valve, safety valve, reducing valve, steam trap and plunger valve etc.;
- 确定阀门的使用形式：开关型、调节型、安全型等；
Need to specify the using type of the valve, including opening & closing type, adjusting type, safety type etc.;
- 确定阀门壳体及内件的材料：灰铁、球铁、碳钢、合金钢、不锈钢、铜合金、铝合金、塑料等；
Need to specify materials of the body and the trims, including grey iron, ductile iron, carbon steel, alloy steel, stainless steel, alloy copper, aluminum alloy, plastic etc.;
- 确定阀门的密封性能要求、密封等级或密封泄漏量；
Need to specify the requirements on seal performance, seal grade and leakage grade;
- 确定阀门的防护涂层要求、包装要求，运输要求；
Need to specify the requirements on the protective coating, packing and transportation;
- 特殊需要的阀门还应确定：结构长度、阀门高度、外形尺寸、流阻、排放能力、流量特性、防护等级、防爆性能等参数；
Need to specify structure length, valve height, overall sizes, flow resistance, discharging ability, flow characteristic, protected grade, anti-explosive performances etc. for the particularly required valves;
- 确定阀门的安装位置及姿势；
Need to specify the installed position and the status of the valve.

七十、国内外标准 China & Foreign Standard

类别 Type	国内标准 China Standard(GB)	国际标准 and 国外标准 International & Foreign Standard
阀门产品 Ball Valve	GB/T 12224 钢制阀门 一般要求 Steel valve common demands GB/T 12237 通用阀门 法兰和对焊连接钢制球阀 General valve, Flanged & Butt Welded steel ball valve GB/T 15185 铁制和铜制球阀 Iron & Copper ball valve GB/T 8464 水暖用内螺纹连接阀门 Water warmed, Female Thread valve JB/T 7745 管线球阀 Pipeline ball valve	API 6D 管线阀门规范 Norm of pipeline valve API608 法兰、螺纹和焊接连接的金属球阀 Flanged, Threaded & Welded ball valve MSS SP-72 法兰和对焊连接的一般用球阀 Flanged & Butt welded general ball valve AWWA C507 6英寸至48英寸球阀 6 inch to 48 inch ball valve BS 5351 石油、石化及相关工业用钢制球阀 Steel ball valve used in Petroleum, Petroleum & Chemical and relative industry
结构长度 Face to Face Dimension	GB/T 12221 法兰连接金属阀门 结构长度 Flanged metal valve, F-to-F Dimension GB/T 15188.1 阀门的结构长度 对焊连接阀门 F-to-F Dimension, Butt welded valve GB/T 15188.2 阀门的结构长度对夹连接阀门 F-to-F Dimension, Wafer valve GB/T 15188.3 阀门的结构长度 内螺纹连接阀门 F-to-F Dimension, Female Thread valve GB/T 15188.4 阀门的结构长度 外螺纹连接阀门 F-to-F Dimension, Male Thread valve	ISO 5752 法兰连接金属阀门 结构长度 Flanged Metal valve, F-to-F Dimension ASME B16.10 阀门的结构长度 F-to-F dimension BS 2080 石油、石化及相关工业法兰和对焊连接阀门结构长度 Flanged and Butt welded valve used in Petroleum, Petroleum & Chemical and relative industry
法兰连接端 Flanged End	GB/T 9113.1~4 整体钢制管法兰 Integral, Steel pipe flange GB/T 13402 大直径碳钢管法兰 Large size, carbon steel pipe flange GB/T 17241.6 整体铸铁管法兰 Integral, cast iron pipe flange JB/T 79.1~4 整体铸钢管法兰 Integral, cast steel pipe flange HG 20596 整体钢制管法兰 Integral Carbon steel pipe flange SH 3406 石油化工钢制管法兰 Petroleum & Chemical steel pipe flange	ISO 7005-1 金属法兰第一部分 钢制法兰 Metal flange, Part 1, Steel flange ASME B16.5 管道法兰和法兰管件 Pipeline flange and flange fittings ASME B16.47 大直径钢制法兰26英寸至60英寸 Large steel flange, size from 26 inch to 60 inch BS 4504 标准法兰 Standard Flange
焊接连接端 Welded End	GB/T 12224 钢制阀门 一般要求 Steel valve, Common demands GB/T 12459 钢制对焊无缝管件 Butt welded seamless steel pipeline fittings JB/T 1751 承插焊连接和配管端部尺寸 Socket welded connecting and matched pipe end dimension	ASME B16.11 承插焊和螺纹连接的锻钢管件 Socket welded and Threaded forged steel pipeline fittings ASME B16.25 对焊端 Butt welded end BS 12627 工业阀门 钢制阀门的对焊端 Industry valve, Butt welded end of steel valve BS 12760 阀门 钢制阀门的承插焊端 Valve Socket welded end of steel valve
螺纹连接端 Threaded End	GB/T 7306.1~2 55° 密封管螺纹 55° Sealed pipe thread GB/T 7307 55° 非螺纹密封的管螺纹 55° Non-threaded sealed pipe thread	ASME B16.11 承插焊和螺纹连接的锻钢管件 Socket welded and Threaded forged steel pipelines ASME B1.20.1 普通管螺纹 General pipe thread
卡槽连接端 Union End	CJ/T 156 沟槽式管接头 Grooved pipe ends	

七十一、阀门常用缩写 General abbreviation of Huatong valve

American Professional Societies Code 美国及其专业学会标准代号

AISI	American Iron and Steel Institute	美国钢铁学会
ANSI	American National Standard Institute	美国国家标准学会
API	American Petroleum Institute	美国石油学会
ASME	American Society of Mechanical Engineers	美国机械工程师协会
ASTM	American Society for Testing Materials	美国材料试验协会
AWS	American Welding Society	美国焊接协会
AWWA	American Water Society	美国水道协会
MSS	Manufactures Standardization Society of the Valve and Fitting Industry	美国阀与管件工业制造标准学会
NACE	National Association of Corrosion Engineers	美国防腐工程师学会
SAE	Society of Automotive Engineers	美国汽车工程师学会

Other Code 其他标准代号

GB	Chinese National Standard	中国国家标准	cfm	cubic feet per minute	每分钟多少立方尺
JB	Mechanical Department Standard	机械行业标准	gpm	gallons per minute	每分钟多少加仑
HG	Chemical Department Standard	化工行业标准	ipm	inches per minute	每分钟多少英寸
SH	SINOPEC Standard	石化行业标准	psi	pound per square inch	每平方英寸多少磅
CNS	Taiwan Standard	台湾标准	bar	1bar=1.02kg/cm ²	巴 (压力单位)
JIS	Japanese Industrial Standard	日本工业标准	pa	Newton per square meter(Nt/m ²)	每平方米多少牛顿
BS	British Standards	英国国家标准	kgf/cm ²	kilogram per square centimeter	公斤力/每平方公分
DIN	Deutscge Industrie-Norm	德国国家标准	atm	Atmospheric pressure	标准大气压
ISO	International Organization for standardization	国际标准化组织			
VDE	Verband Deutscher Elektrotechniker	德国电器工程师协会			
NF	Norms France	法国国家标准			
AS	Australian Standard	澳洲标准			

Measurements 单位

Metallic Materials 金属材料

AL	Aluminum	铝	OS&Y	Outside Screw and Yoke	外螺纹与支架
BR	Bronze	青铜	NRS	Non Rising Stem	暗杆
DZR	Dezincification Resistant Brass	抗脱锌黄铜	RS	Rising Stem	明杆
CI	Cast Iron	铸铁	SDNR	Screw-Down Non-Return	螺旋关闭止回阀
MI	Malleable Iron	展性铸铁	WB	Welded Bonnet	焊接式阀帽
DI	Ductile Iron	延性铸铁	SB	Screwed Bonnet	由任式阀帽
NI	Nickel Iron	镍铁	UB	Union Bonnet	螺栓式阀帽
Cr	Chromium	铬	BB	Bolt Bonnet	螺栓式阀帽
Mo	Molybdenum	钼	DD	Double Disk	双阀盘
Ni	Nickel Iron	镍	UC	Union Cap	由任式阀帽
NICV	Nickel Copper Alloy	镍铜合金	WC	Welded Cap	焊接式阀盖
HF	Hard Face	钨铬钴合金面	BC	Bolt Cap	螺栓式阀盖
Cr13	Type 410 Stainless Steel	410系不锈钢	End	Connections	端口连接
SS	Stainless Steel	不锈钢	BEPP	British Standard Pipe thread, parallel	英国标准规格平行螺纹
18-8	Type 304 Stainless Steel	CF8/304系不锈钢	BSPT	British Standard Pipe thread, Taper	英国标准规格锥形螺纹
18-8MO	Type 316 Stainless Steel	CF8M/316系不锈钢	NPT	America National Standard Taper Pipe Threads	美国国家标准锥形螺纹
CS	Cast Steel	WCB/A105/F11铸钢	BW	Butt Welding Ends	对焊端
FS	Forged Steel	锻铁			

Structure 结构

Non-Metallic Materials 非金属材料

CR	Chloropene Neoprene	氯丁橡胶	Fig	Flanges	法兰端
EPDM	Ethylene-Propylene	乙丙橡胶	IS	Inside Screw	内螺纹
FEP	Fluorinated ethylene propylene	氟化乙丙稀	FF	Flat face	平面
FPM	Fluorous Rubber	氟橡胶	RF	Raising Face	突面
NBR	Nitrile or Buna N Rubber	丁腈橡胶	MF	Male and Female	凹凸面
NR	Natural rubber	天然橡胶	TG	Tenon and Gutter	榫槽面
NYL	Nylon	聚酰胺	RTJ	Ring Type Joint	环形接合
UR	Polyurethane	聚氨酯	SEF	Serrated finish	水纹面
PE	Polyurethane	聚乙烯	SMF	Smooth finish	平滑面
PTFE	polytetrafluorethylene	聚四氟乙烯	HEX	Hexagonal	六角
PVC	Polyvinyl Chloride	聚氯乙烯	Scr	Screwed Ends	螺纹端
Rilsan	Super Polyamide	耐纶11型聚酰胺纤维	SE	Screwed Ends	螺纹端
TPF	Tetrafluoroethylene	四氟乙烯	SJ	Solder Ends	软焊端
VITON	Viton	氟素橡胶	SW	Socket Welding Ends	套焊端
PFA	Meltable teflon	可溶性聚四氟			

Ratings 等级

DN	Nominal Pressure	公称直径	Fig. No.	Figure number	型号
PN	Nominal Diameter	公称压力	Max.	Maximum	最大
CWP	Cold Working Pressure	冷工作压力	Min.	Minimum	最小
SWP	Steam Working Pressure	蒸汽工作压力	Rpm	Revolutions per minute	每分钟多少转
WOG	Water, Oil, Gas Pressure	水、油、气体压力	w/	with	与
			GR.	Grade	等级
			L(LG)	Length	长度
WP	Working Pressure	工作压力	Wt	Weight	质量/重量
S	Steam Pressure	蒸汽压力	T	Temperature	温度
SP	Steam Pressure	蒸汽压力			

Miscellaneous 其他