

目录 Contents

公司简介	01	止回阀	56
制造与服务	03	升降式止回阀	57
历程与远景	05	旋启式止回阀	58
蝶阀	07	轴流式止回阀	59
三偏心层叠金属密封蝶阀	08	微阻缓闭蝶式止回阀	60
软密封中线蝶阀	12	蝶式缓闭止回阀（管力阀）	61
双向密封高性能蝶阀	17	疏水阀	62
通风蝶阀	19	自由浮球式疏水阀	63
闸阀	21	自由半浮球式疏水阀	64
闸阀	22	热动力（圆盘）式疏水阀	65
（无）带导流孔平板闸阀	25	减压阀	66
浆液闸阀	28	弹簧活塞式减压阀	67
保温闸阀	30	蒸汽减压阀	68
刀型闸阀	32	比例式减压阀	69
截止阀	34	柱塞阀	70
截止阀	35	柱塞阀	71
保温截止阀	37	柱塞截止阀	72
波纹管截止阀	40	旋塞阀	73
角式截止阀	42	旋塞阀	74
针形截止阀	43	T型三通旋塞阀	75
球阀	46	隔膜阀	76
浮动式球阀	47	隔膜阀	77
钢制固定球阀	49	气动隔膜阀（往复式）	79
夹套保温球阀	51	电磁阀	80
三通球阀	52	ZQDF蒸汽电磁阀	81
V型调节球阀	53	ZCM煤气电磁阀	82
钢制内螺纹球阀（一片式、二片式、三片式）	54	SZCZP高温电磁阀	83
		ZCS水用电磁阀	84

SH-HUA TONG

专业员工 **300+** 人

技术人员占 **17%**

占地面积约 **11万** m²

HUATONG
China 上海

关于上海华通阀门

上海华通阀门有限公司是一家通过TS、DNV-ISO9001、ABS、API、CE、3C、SAI-WATERMARK等资质认证，集产品研发设计、生产制造、销售服务为一体的阀门应用方案解决型公司。作为国家阀门标准的起草和制定单位，曾主持、参与起草了国家GB/T12238-2008、GB/T21386-2008、GB/T21387-2008、GB/T24924-2010、JB/T5299-2013的蝶阀、止回阀、减压阀、闸阀等多项国家阀门标准，并拥有多项自主设计研发产品专利。公司目前在低温阀、高温阀、高耐磨阀、三聚氰胺专用阀、蝶阀、水利控制阀等阀门的实际应用方面累积了优良的技术与业绩口碑。公司自主研发的“上华”牌产品被广泛应用于电力、冶金、石油、化工、轻纺、环保、城建、造船、食品医药和国防科研等领域，填补国内长期无法满足的需求空缺，并出口欧美、澳洲、中东等国际市场深受用户好评。

上海华通阀门有限公司是注册资金6000万元，具有自营进出口权的阀门专业制造企业。工厂及行政办公区分别座落于上海嘉定、漕河泾国家高科技园，共占地面积约11万平方米，拥有先进的机械加工设备与完善的理化检验及性能测试设备，员工300多人，其中工程技术人员约占17%，2010年阀门产值超亿元。为适应企业快速发展的需要，公司果敢实施逆势扩张企业战略布局，进一步优化企业资源配置，降低生产、经营成本，极大地提高了企业的综合实力和潜能，使公司稳步跨入国内阀门行业先进制造企业之列。

公司始终遵循“质量第一、用户满意”的经营宗旨，以“服务创造奇迹”为经营理念。公司设有安装调试、技术培训、产品维修和零配件供应的专门服务机构，承接非标及引进阀门的设计制造，竭诚为用户提供高科技的优质产品和满意的服务。

主要认证 Main Certification



About SH-HUATONG

Listed by TS Safety, ISO9001, ABS, API, CE, 3C, SAI-WATERMARK, Shanghai Hua Tong Valve Co., Ltd. is committed to product research and development, design, manufacturing, and marketing to offer comprehensive solutions for valve application. As an organization responsible for the drafting and preparing of national valve standards, the company has led and participated in drafting the national standards of butterfly valves, check valves, pressure reducing valves, and brake valves in GB/T12238-2008, GB/T21386-2008, GB/T21387-2008, GB/T24924-2010, and JB/T5299-2013. With numerous patents resulted from independent research and development that is part of its advanced technologies, the company has now built a high reputation in the practical application of low and high temperature valves, highly wear-resistant valves, melamine-specific valves, butterfly valves, and water control valves. The innovative “Shanghua” products have been widely used in a variety of fields such as electricity, metallurgy, petrochemical industry, chemical engineering, light textile, environment protection, urban construction, shipbuilding, food and pharmaceutical industries, national defense, scientific research, etc., not only filling the gap that has long existed in the domestic market, but also winning many international markets ranging from Europe and America to Austria and the Middle East.

With the registered capital of RMB 60 million, Hua Tong Valve has been authorized with the Import and Export License. On the 110,000 m² land of plants and administrative areas located in Jiading and Caohejing State High-tech Park in Shanghai, over 300 employees work with sophisticated machining equipment and superior apparatuses for physical & chemical inspection and performance testing, among whom engineering technicians account for 17%. In 2010, the output value of valve products exceeded RMB 100 million. In the fast development of the enterprise despite a difficult market, strategic expansion is going on through further optimizing resource allocation and lowering production and operation costs. As a result, the company has greatly improved its comprehensive strength and development potential and gradually become one of the leading manufacturers in the domestic valve market.

Following the policy of “Quality & Customer Satisfaction First”, the company has set up many specialized service departments for installation and debugging, technical training, product maintenance, and spare part supply. Moreover, the design and manufacturing of non-standard equipment are also offered as part of the commitment to quality high-tech products and satisfactory services for the customers.



工艺精度提高 **25%**
 生产效率提高 **30%**
 原料损耗降低 **15%**



理化实验室
Physical and chemical laboratory



半成品检测
semi-finished product inspection



配送中心
Distribution Center



5M立车
5m vertical lathe



CNC数控加工中心
CNC machining center



低温实验中心
Low temperature test center

制造与服务

作为“十二五”工业发展的重点——转型和升级，上海华通阀门凭借其先进的机械加工设备和规范的现场管理，将产品加工精度提高 25%，效率提高 30%，原料损耗降低 15%，积极满足客户对高端阀门制造的需求。

自创立之初，我们就坚持每台产品均由一位工程师负责，每个零部件、每个细节都亲力亲为，并在产品通过检测即将出厂时，工程师需要亲笔签署确认，表明该工程师对产品独一无二的承诺及所倾注的激情和心意。

无论您身在何处，都会倍感安心。

无论昼夜，任何时间，只须拨打电话，我们有经验丰富的专家随时待命——有时甚至一个电话给出的专业建议，就可以帮助您解决问题。

当然，如果您需要我们亲临现场，我们会即刻派出携带整套装备的小组前往。

如果故障超出迅速修理的范围，我们凭借强大的配送中心，在24小时内将原装配件送出，及时到达。

Process manufacturing

As the focuses of industrial development in the "12th Five-Year Plan"—transformation and upgrade, Shanghai Huatong Valve improves its products' machining precision by 25% as well as efficiency by 30%, and reduces material wastage by 15% by virtue of its advanced machining equipment and standard field management in order to actively meet the customers' needs for high-end valves manufacture.

Since the company was founded, we have been insisting on that every product is managed by one engineer who goes through every part and every detail on his own, and the engineer needs to sign the confirmation letter by himself when the product is going to leave the plant after inspection, which indicates this engineer's unique commitment to the product and his enthusiasm and regard for it.

You will be very reassured no matter where you are.

You just call us if we are needed and you are welcomed at any time. We have experienced experts being on call—sometimes, a simple professional suggestion via a call can help you out of question.

Certainly, if you need us to go to the site, we will immediately send our group with a whole set of equipment there.

If the breakdown goes beyond the instant repair, we will, relying on the powerful distribution center, send out the original parts within 24 hours and deliver them in time.

- 1970 源自国营仪表机械厂
- 1989 上海华通蝶阀厂
- 1994 上海华通阀门公司
- 1997 获耐磨阀星火杯金奖
- 1999 获国际DNV9001认证
- 2002 获国家推广荣誉
- 2008 国家标准起草与制定单位
- 2010 获上海优秀技术成果奖
央视五星级合作伙伴
- 2012 高新技术企业
- 2013 TS等级、品种名列全国第一

历程与远景

我们从成立伊始，便高瞻远瞩，直面未来。不断通过技术革新走在时代的前沿，不断开拓进取，实现“引以为豪的上海华通”。“引以为豪”是指包括客户和员工在内的我们所有的利益相关方，与上海华通齐心协力，以华通为荣，以华通为自豪。客户因使用我们供应的优质产品和服务而感到自豪，因此，上海华通开始踏上成为新型企业的旅程。



History and vision

Since its earliest days, we have shown our great foresight to face the future courageously. Through constant technological innovation, we are walking in the frontier of the times. Forging ahead continuously, we strive to build a "Shanghai Huatong we are proud of". "We are proud of" means that all our stakeholders including clients and staff members make joint efforts with Shanghai Huatong, being proud of Huatong and posing as a part of Huatong. Clients are proud of using the quality products and service we offered. Therefore, Shanghai Shanghai Huatong starts the step on the journey to a new enterprise.



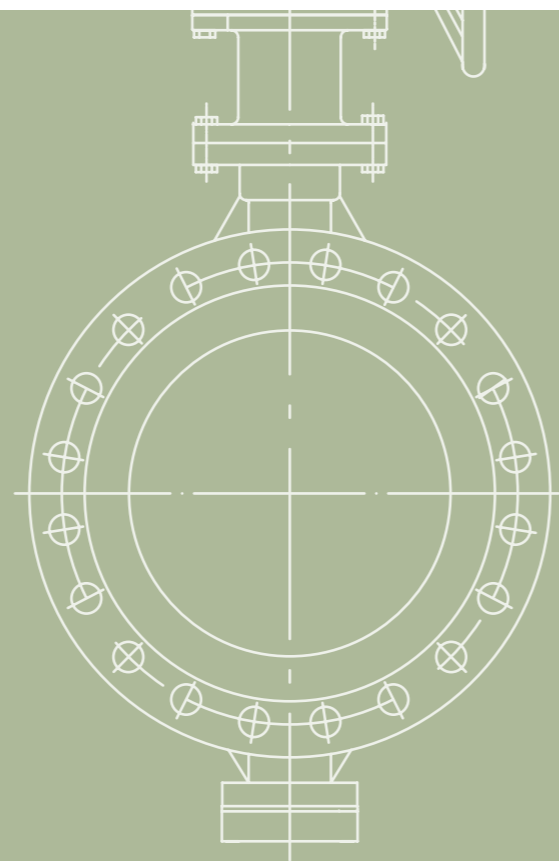
蝶阀系列

Butterfly valve Services

产品特点 Products Features:

1. 蝶阀具有结构简单、体积小、重量轻、材料耗用省，安装尺寸小，开关迅速、90° 往复回转，驱动力矩小等特点，用于截断、接通、调节管路中的介质，具有良好的流体控制特性和关闭密封性能。
2. 蝶阀可以运送泥浆，在管道口积存液体最少。低压下，可以实现良好的密封。调节性能好。
3. 蝶板的流线型设计，使流体阻力损失小，可谓是一种节能型产品。
4. 阀杆为通杆结构，经过调质处理，有良好的综合力学性能和抗腐蚀性，抗擦伤性。蝶阀启闭时阀杆只作旋转运动而不作升降运行，阀杆的填料不易破坏，密封可靠。与蝶板锥销固定，外伸端为防冲外型设计，以免在阀杆与蝶板连接处意外断裂时阀杆崩出。
5. 连接方式有法兰连接、对夹连接、对焊连接及凸耳对夹连接。
6. 驱动形式有手动、蜗轮传动、电动、气动、液动、电液联动等执行机构，可实现远距离控制和自动化操作。

1. Butterfly valve features in simple structure, small volume, light weight, small consumption of materials, small installation size, fast switching, 90° reciprocating rotary, small driving torque, etc., which is used for cutting off, connecting, adjusting the material in the pipeline. It has good characteristics of flow control and sealing performance.
2. Butterfly valve can be used for transporting slurry with the least accumulation of fluid in the pipe outlet. Under low pressure, it seals firmly and it has good adjustment performance.
3. The streamlined design of dished end lessens the fluid resistance, which could be called a kind of energy-saving product.
4. The valve stem has the structure of through rod. After thermal refining, it embraces sound integrated mechanical properties, corrosion resistance and scratch resistance. With butterfly valve opening and closing, the valve stem rotates without moving up or down. The stem stuffing is not easy to be damaged and enjoys a good sealing. It is fixed with the taper pin of the taper pin disc. The out-preventing design of the extended end prevents the valve stem popping out in case the junction of valve stem and taper pin disc collapses accidentally.
5. Connections include flanged, wafer, butt welded and lug wafer joints.
6. The driving models include manual, worm gear, electric, pneumatic, hydraulic, electro-hydraulic linkage forms and so on, which can realize remote control and automatic operation.



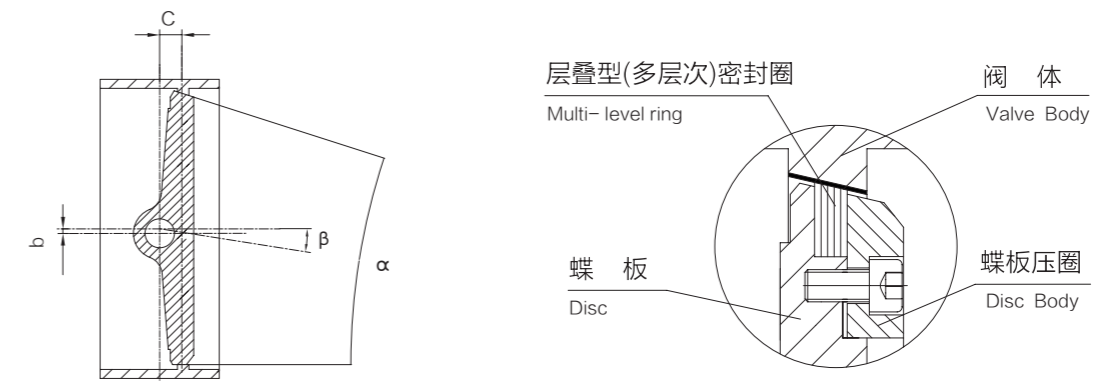
三偏心层叠金属密封蝶阀

Three eccentric multi-level hard seal butterfly valve

主要特点与用途 Main Feature and Use

- 三偏心层叠金属密封蝶阀系列产品，流体阻力小、密封面受冲击侵蚀小、压降小，启闭力矩小、工艺性能好和适用的压力、温度范围广。
- 采用三偏心斜锥面密封，密封启闭磨损小、摩擦力矩小，开启灵活。另外，锥形蝶板的旋转半径大于密封副接触位置的旋转半径，故蝶板在关闭时将出现越关越紧，能够实现自锁，防止蝶板过位。
- 蝶板密封圈采用软硬层叠式金属片，它具有弹性密封和软硬多层次密封兼容的双重特点，无论在抗腐蚀、耐高温的情况下，均有良好的密封性。
- 三偏心层叠金属密封蝶阀结构如图所示
通常的蝶阀双偏心像 b(偏离管道中心)和 c(偏离密封面中心线)所示那样，其主要目的是减少阀座与密封件之间大约 15° 行程的摩擦。华通阀门增加了一个独特的偏心 β (倾斜的锥形) 不仅克服了阀门的启闭中密封件和阀座之间的所有接触摩擦，从而增加使用寿命，而且通过外加力矩的改变可以任意调整其密封比压，使其密封更为可靠，绝不出现过关现象。

- Tri-eccentric multi-layer hard seal butterfly valves feature small flow resistance, low impact erosion of the seal surface, low pressure drop, small open-close torque, good technological performance and wide ranges of applicable pressure and temperature.
- This series of products adopt tri-eccentric inclined-tapering seals that feature low wear during opening and closing, small frictional torque and flexible operation. In addition, as the rotating radius of the tapering butterfly plates is larger than the rotating radius of the seal pair contacts, the tapering butterfly plates will become tighter and tighter upon closing, can realize self locking and prevent butterfly plate over-position.
- Butterfly plate seal rings of the valves are overlapped soft and hard metal sheets which have characteristics of both flexible seals and soft and hard multi-layer seals, with sound sealing performance even in corrosive or high temperature conditions.
- The structure of three-eccentric metal sealing butterfly valve is shown in the figure
- Usually the double-eccentric of butterfly valve likes b (deviating from the pipeline center) and c (deviating from the center line of the sealing face), whose main purpose is to reduce the 15° stroke of the friction between the valve seat and the seal element. Huatong valve with a unique eccentric β (tilt cone) added, which not only overcomes all frictions between the sealing pieces in the opening and closing of the valve element and valve seat so as to increase the service life, but it can also adjust its specific sealing pressure by the changes of plus torque, making it more reliable and free from failure.



产品标准 Specification

设计与制造 Design and manufacture	结构长度 Face-to-face dimension	法兰连接尺寸 Flange dimension	试验与检验 Test and inspection
GB/T 12238; JB/T 8527	GB/T 12221	GB/T 9113; GB/T 17241.6	GB/T 13927

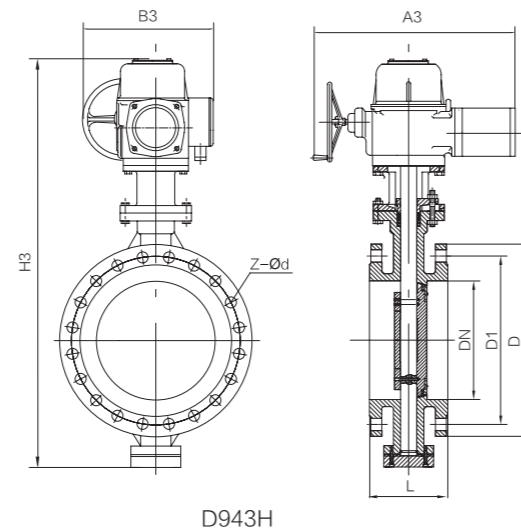
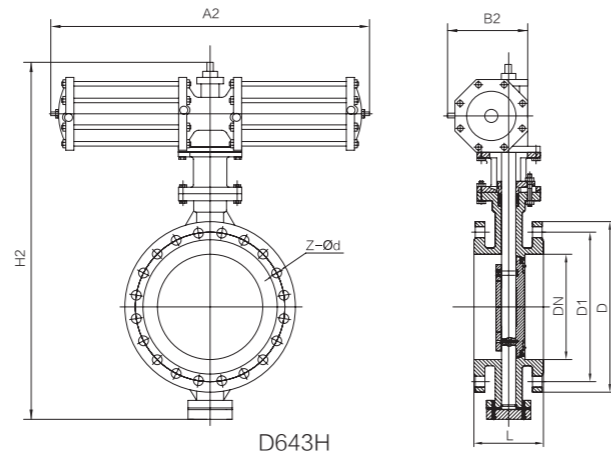
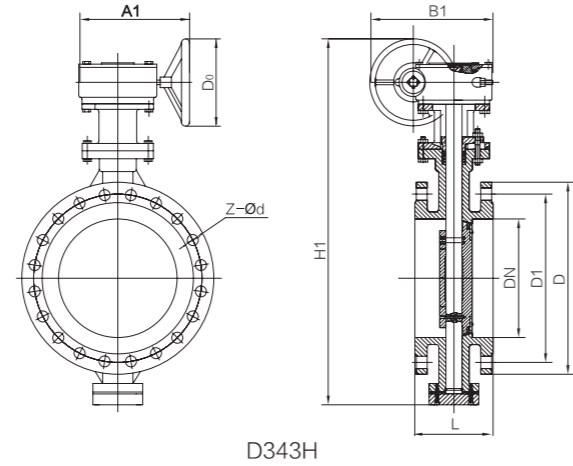
主要零部件材料及适用范围 Standard Material Specifications

适用温度 Suitable temperature	≤ 120℃	≤ 425℃	≤ 550℃	≤ 550℃
适用介质 Suitable medium	水、气体、油品 Water, Steam, Oil		弱腐蚀性介质 Weak corrosive media	腐蚀性介质 Corrosive media
材料 Material				
阀体 Body	代号 Code: Q	代号 Code: C	代号 Code: P	代号 Code: R
	球墨铸铁 Ductile cast iron QT500-7	铸钢 Cast steel WCB	不锈钢 Stainless steel CF8	不锈钢 Stainless steel CF8M
蝶板 Disc	球墨铸铁 Ductile cast iron QT500-7	铸钢 Cast steel WCB	不锈钢 Stainless steel CF8	不锈钢 Stainless steel CF8M
	蝶板密封圈 Disc ringl: 层叠不锈钢 (1Cr13) 阀座密封面 Seat ringl: 堆焊 Cr13 合金钢		蝶板密封圈 Disc ringl: 层叠不锈钢 (304; 316) 阀座密封面 Seat ringl: 本体或堆焊 STL 合金	
阀杆 Shaft	不锈钢 Stainless steel 2Cr13		不锈钢 Stainless steel 304	不锈钢 Stainless steel 316
填料 Packing	柔性石墨 Gentle graphite		柔性石墨 Gentle graphite; 聚四氟乙烯 PTFE	

三偏心层叠金属密封蝶阀 – 法兰式层叠金属密封蝶阀

Three eccentric multi-level hard seal butterfly valve-flange multi-level hard seal butterfly valve

3 10
 16
 D 6 43H – C.Q.P.R.
 9 25
 40



三偏心层叠金属密封蝶阀 – 法兰式层叠金属密封蝶阀

Three eccentric multi-level hard seal butterfly valve-flange multi-level hard seal butterfly valve

■ PN10 / PN16 主要外形与连接尺寸 Main figuration and Connecting Size

DN	外形尺寸 Outline Size										法兰连接尺寸 Flange dimension					
	L	D343H			D643H			D943H			PN10			PN16		
		H1	A1	B1	H2	A2	B2	H3	A3	B3	D	D1	Z-φd	D	D1	Z-φd
50	108	350	180	200	625	245	72	530	250	255	165	125	4-18	165	125	4-18
65	112	370	180	200	625	245	72	530	250	255	185	145	4-18	185	145	4-18
80	114	380	180	200	645	245	72	565	250	255	200	160	8-18	200	160	8-18
100	127	420	180	200	675	355	92	600	250	255	220	180	8-18	220	180	8-18
125	140	460	180	200	715	355	92	640	250	255	250	210	8-18	250	210	8-18
150	140	555	270	280	800	355	92	705	300	315	285	240	8-22	285	240	8-22
200	152	780	400	425	850	250	170	775	300	315	340	295	8-22	340	295	12-22
250	165	840	400	425	925	250	170	945	300	315	395	350	12-22	405	355	12-26
300	178	995	450	560	103	450	220	1070	300	315	445	400	12-22	460	410	12-26
350	190	1050	450	560	1070	450	220	1140	300	315	505	460	16-22	520	470	16-26
400	216	1220	535	580	1190	450	220	1210	300	315	565	515	16-26	580	525	16-30
450	222	1280	535	580	1250	650	280	1335	575	714	615	565	20-26	640	585	20-30
500	229	1365	535	580	1290	650	280	1415	575	714	670	620	20-26	715	650	20-33
600	267	1460	570	660	1455	850	380	1605	656	810	780	725	20-30	840	770	20-36
700	292	1520	750	550	1585	850	380	1844	656	810	895	840	24-30	910	840	24-36
800	318	1710	750	550	1700	1250	380	2040	656	810	1015	950	24-33	1025	950	24-39
900	330	1810	750	550	1865	1250	380	2255	785	863	1115	1050	28-33	1125	1050	28-39
1000	410	1900	900	750	2015	1250	380	2380	785	863	1230	1160	28-36	1255	1170	28-42
1200	470	2280	1000	925	2220	1250	380	2640	785	863	1455	1380	32-39	1485	1390	32-48
1400	530	2450	1000	925							1675	1590	36-42	1685	1590	36-48
1600	600	2730	1000	925							1915	1820	40-48	1930	1820	40-56
1800	670	3020	1100	980							2115	2020	44-48	2130	2020	44-56
2000	760	3270	1100	980							2325	2230	48-48	2345	2230	48-62

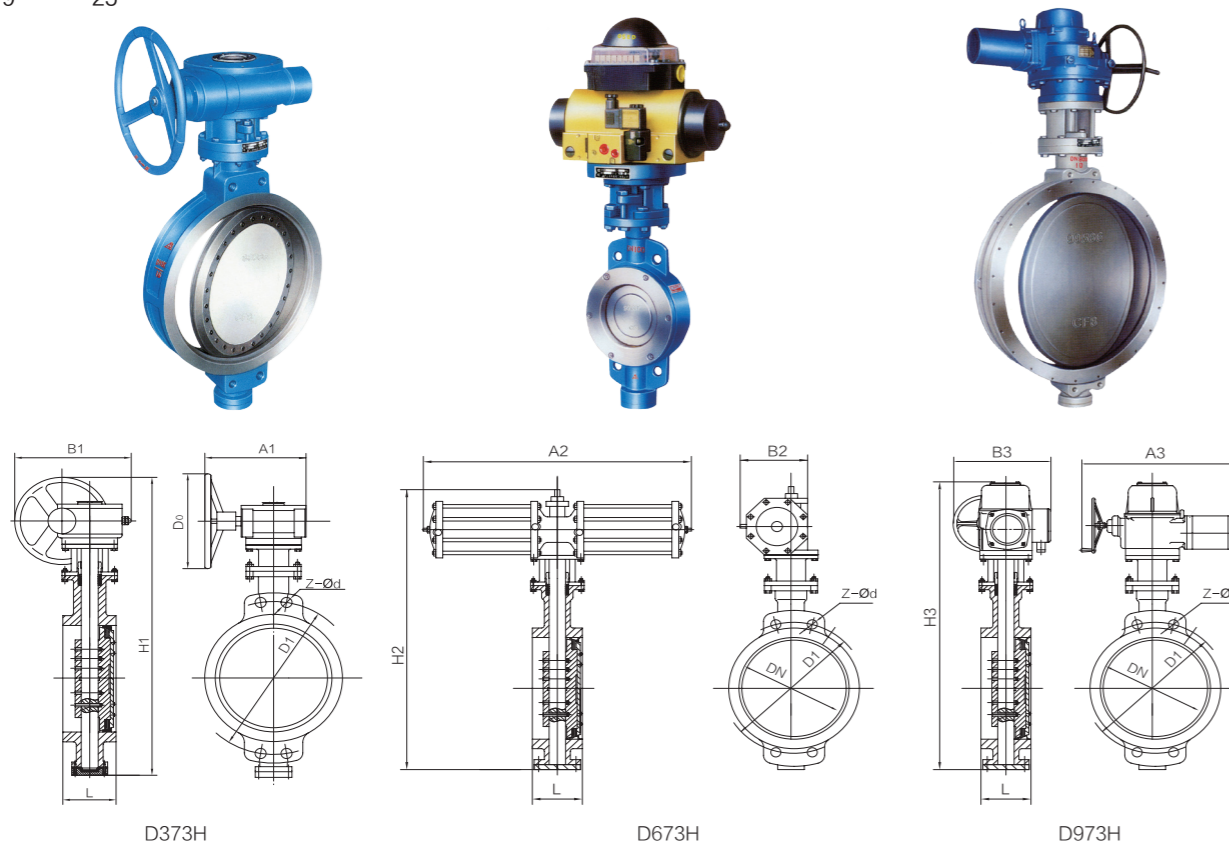
■ PN16 / PN25 主要外形与连接尺寸 Main figuration and Connecting Size

DN	外形尺寸 Outline Size										法兰连接尺寸 Flange dimension					
	L	D343H			D643H			D943H			PN25			PN40		
		H1	A1	B1	H2	A2	B2	H3	A3	B3	D	D1	Z-φd	D	D1	Z-φd
50	108	350	180	200	625	245	72	530	250	255	165	125	4-18	165	125	4-18
65	112	370	180	200	625	245	72	530	250	255	185	145	8-18	185	145	8-18
80	114	380	180	200	645	245	72	565	250	255	200	160	8-18	200	160	8-18
100	127	420	180	200	675	355	92	600	250	255	235	190	8-22	235	190	8-22
125	140	460	180	200	715	355	92	640	250	255	270	220	8-26	270	220	8-26
150	140	555	270	280	800	355	92	705	300	315	300	250	8-26	300	250	8-26
200	152	780	400	425	850	250	170	775	300	315	360	310	12-26	375	320	12-30
250	165	840	400	425	925	250	170	945	300	315	425	370	12-30	450	385	12-33
300	178	995	450	560	103	450	220	1070	300	315	485	430	16-30	515	450	16-33
350	190	1050	450	560	1070	450	220	1140	300	315	555	490	16-33	580	510	16-36
400	216	1220	535	580	1190	450	220	1210	300	315	620	550	16-36	660	585	16-39
450	222	1280	535	580	1250	650	280	1335	575	714	670	600	20-36	685	610	20-39
500	229	1365	535	580	1290	650	280	1415	575	714	730	660	20-36	755	670	20-42
600	267	1460	570	660	1455	850	380	1605	656	810	845	770	20-39	890	795	20-48
700	292	1520	750	550	1585	850	380	1844	656	810	960	875	24-42			
800	318	1710	750	550	1700	1250	380	2040	656	810	1085	990	24-48			
900	330	1810	750	550	1865	1250	380	2255	785	863	1185	1090	28-48			
1000	410	1900	900	750	2015	1250	380	2380	785	863	1320	1210	28-56			

三偏心层叠金属密封蝶阀 - 对夹式层叠金属密封蝶阀

Three eccentric multi-level hard seal butterfly valve--wafer multi-level hard seal butterfly valve

3 10
D 673H - 16 C.Q.P.R.
9 25



主要外形与连接尺寸 Main figuration and Connecting Size

DN	外形尺寸 Outline Size										法兰连接尺寸 Flange dimension					
	L	D373H			D673H			D973H			PN10		PN16		PN25	
		H1	A1	B1	H2	A2	B2	H3	A3	B3	D1	Z-φd	D1	Z-φd	D1	Z-φd
50	43	350	180	200	625	245	72	530	250	255	125	4-18	125	4-18	125	4-18
65	46	370	180	200	625	245	72	530	250	255	145	4-18	145	4-18	145	8-18
80	49	380	180	200	645	245	72	565	250	255	160	8-18	160	8-18	160	8-18
100	56	420	180	200	675	355	92	600	250	255	180	8-18	180	8-18	190	8-22
125	64	460	180	200	715	355	92	640	250	255	210	8-18	210	8-18	220	8-26
150	70	555	270	280	800	355	92	705	300	315	240	8-22	240	8-22	250	8-26
200	71	780	400	425	850	250	170	775	300	315	295	8-22	295	12-22	310	12-26
250	76	840	400	425	925	250	170	945	300	315	350	12-22	355	12-26	370	12-30
300	83	995	450	560	103	450	220	1070	300	315	400	12-22	410	12-26	430	16-30
350	92	1050	450	560	1070	450	220	1140	300	315	460	16-22	470	16-26	490	16-33
400	102	1220	535	580	1190	450	220	1210	300	315	515	16-26	525	16-30	550	16-36
450	114	1280	535	580	1250	650	280	1335	575	714	565	20-26	585	20-30	600	20-36
500	127	1365	535	580	1290	650	280	1415	575	714	620	20-26	650	20-33	660	20-36
600	154	1460	570	660	1455	850	380	1605	656	810	725	20-30	770	20-36	770	20-39
700	165	1520	750	550	1585	850	380	1844	656	810	840	24-30	840	24-36	875	24-42
800	190	1710	750	550	1700	1250	380	2040	656	810	950	24-33	950	24-39	990	24-48
900	203	1810	750	550	1865	1250	380	2255	785	863	1050	28-33	1050	28-39	1090	28-48
1000	216	1900	900	750	2015	1250	380	2380	785	863	1160	28-36	1170	28-42	1210	28-56
1200	254	2280	1000	925	2220	1250	380	2640	785	863	1380	32-39	1390	32-48	1420	32-56
1400	279	2450	1000	925							1590	36-42	1590	36-48	1640	36-62
1600	318	2730	1000	925							1820	40-48	1820	40-56	1860	40-62
1800	356	3020	1100	980							2020	44-48	2020	44-56	2070	44-70
2000	406	3270	1100	980							2230	48-48	2230	48-62	2300	48-70

软密封中线蝶阀

Midline five, soft seal butterfly valve

主要特点与用途 Main Feature and Use

- 阀体通道全衬橡胶、蝶板采用球铁镀铬、球铁衬塑、不锈钢、铜合金等耐腐蚀材料，因此阀门适用于石化、电力、冶金、化工和城建各领域的净水、污水、海水及腐蚀性介质等管道系统，作启闭与调节流量用。
- 软密封中线蝶阀，双向密封，可任意方向安装，不受介质流向限制。
- 可以任何位置安装，结构尺寸短、体积小、重量轻，节省安装空间。
- 全通径设计，流线型蝶板自动定心，密封性好，是流阻最小的蝶阀。
- 阀座有靠背式衬胶和模压整体硫化衬胶两种形式。靠背式衬胶阀座便于在磨损后更换，整体硫化型受压下不移位，确保了阀门的密封性能。
- 阀门有通用法兰式、对夹式和凸耳对夹式二种连接方式；有手柄驱动、蜗轮手动、电动及气动等各种驱动方式可供用户选择。选用电动蝶阀应在合同中详细注明电动装置的性能要求；选用气动蝶阀应在合同中注明所需配件明细，气动装置有电磁换向阀、气源三联件、信号盒、手动机构、定位器等配件可供选择。
- The whole of channel of valve uses rubber as lining, dished-end is made from corrosion resistant materials such as ball iron plating chromium, iron lining plastic, stainless steel, copper alloy, etc., so the valve is suitable for petrification, electric power, metallurgy, chemical industry and pipeline system of clean water, sewage, sea water and corrosive medium in the urban construction, for opening and closing and flow regulation use.
- The soft seal center-line butterfly valve is two-way sealing, can be installed in any direction, and not restricted by the flow of medium.
- It can be installed in any position with small structure and size, small volume and light weight, and saving installation space.
- It is full-bore designed, streamlining dished end automatic centering, sound sealing, whose flow resistance is minimum.
- The valve seat is equipped with two forms of backrest rubber lining and molding vulcanized rubber lining. Backrest rubber lining valve seat is easier to replace after being worn out, and that with molding vulcanized would not be displaced under pressure, which ensures the sealing function of the valve.
- The valve has the universal flange type, wafer type and lug wafer type of connections; there are the handle-driven, turbine manual, power-driven and pneumatic driving methods for users to choose. If you choose the power-driven butterfly valve, you need to specify the performance requirements of the electric equipment in detail; if you choose the pneumatic valve you should specify the details of required parts in the contract, and pneumatic device with electromagnetic valve, triple pieces, source signal box, manual mechanism, mechanism of accessories are available.

产品标准 Products standard

设计与制造 Design and manufacture	结构长度 Face-to-face dimension	法兰连接尺寸 Flange dimension	试验与检验 Test and inspection
GB/T 12238	GB/T 12221	GB/T 17241.6 GB/T 9113	GB/T 13927

密封材料选用和适用温度

材料品种 Material variety	氯丁橡胶 CR	丁腈橡胶 NBR	乙丙橡胶 EPDM	聚四氟乙烯 PTFE	硅橡胶 Silicon rubber	氟橡胶 FPM	耐热乙丙 Heat resistant ethylene propylene
代号 Code	X ₄ (XA 或 JA)	X ₅ (X 或 J)	X ₃ (XB 或 JB)	F	XD 或 JD	X ₇ (XE 或 JE)	X ₉
耐最高温度 Resistance highest temperature	100°C	100°C	120°C	200°C	250°C	200°C	180°C
耐最低温度 Resistance lowest temperature	-25°C	-20°C	-40°C	-190°C	-70°C	-20°C	-25°C
适用工作温度 Applicable working temperature	≤ 65°C	≤ 80°C	≤ 100°C	≤ 180°C	≤ 160°C	≤ 160°C	≤ 150°C

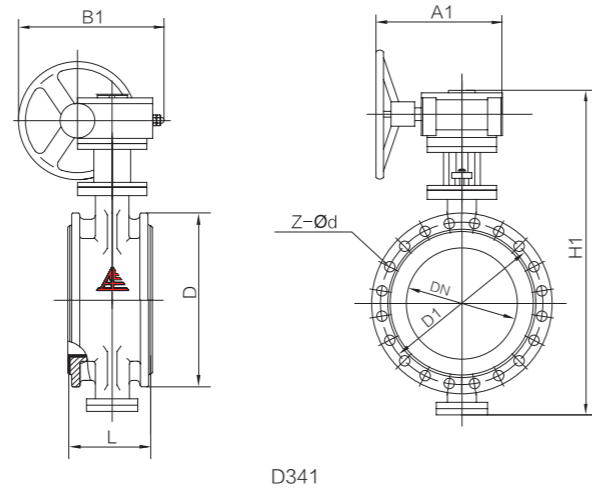
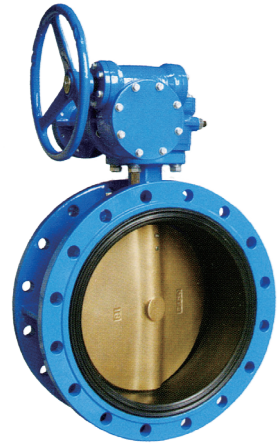
主要零部件材料及适用范围 Main parts material and application range

零件名称 Parts	材料 Material	适用介质 Suitable medium	适用温度 Suitable temperature
阀体 Body	灰铸铁、球墨铸铁、铸钢、不锈钢 Gray cast iron, ductile cast steel, cast steel, stainless steel	空气、水、污水、蒸汽、煤气、油品等 Air, water, sewage, steam, coal gas, Oil	根据密封材料选用 The seal material
蝶板 Disc	灰铸铁、球墨铸铁、铸钢、不锈钢及特殊材料 Gray cast iron, ductile cast steel, cast steel, stainless steel and special material		
密封圈 Seal	各种橡胶、聚四氟乙烯 Manifold rubber PTFE		
阀杆 Shaft	碳钢、不锈钢 Carbon steel, stainless steel		
填料 Packing	O型圈、柔性石墨 O ring, flexible graphite		

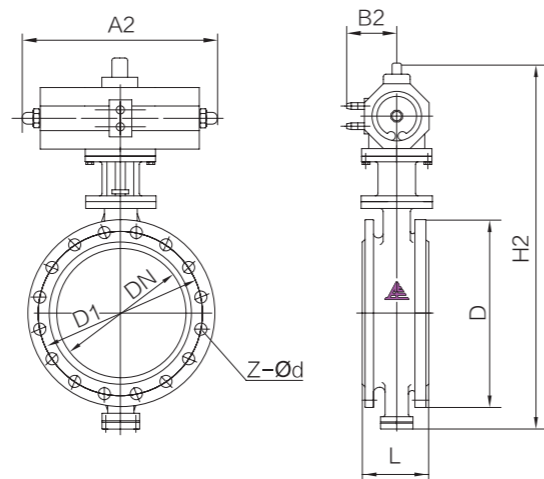
软密封中线蝶阀 – 法兰式中线蝶阀

Midline five、soft seal butterfly valve-Flange midline butterfly valve

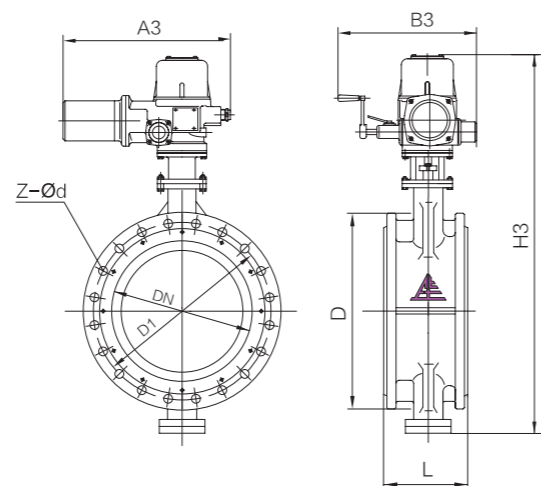
3 J 10
D 6 4 1 - C.P.Q.Z.
9 X 16



D341



D641



D941

软密封中线蝶阀 – 法兰式中线蝶阀

Midline five、soft seal butterfly valve-Flange midline butterfly valve

3 J 10
■ D 4 1 - C.P.Q.Z. 主要外形与连接尺寸 Main figuration and Connecting Size
9 X 16

DN	外形尺寸 Outline Size					法兰连接尺寸 Flange dimension					
						PN10			PN16		
	L	H	H0	A	B	D	D1	Z-Φd	D	D1	Z-Φd
50	108	83	238	270	65	165	125	4-18	165	125	4-18
65	112	93	258	270	65	185	145	4-18	185	145	4-18
80	114	100	278	270	65	200	160	8-18	200	160	8-18
100	127	110	293	270	65	220	180	8-18	220	180	8-18
125	140	125	309	270	65	250	210	8-18	250	210	8-18
150	140	143	363	310	65	285	240	8-22	285	240	8-22
200	152	170	514	365	90	340	295	8-22	340	295	12-22

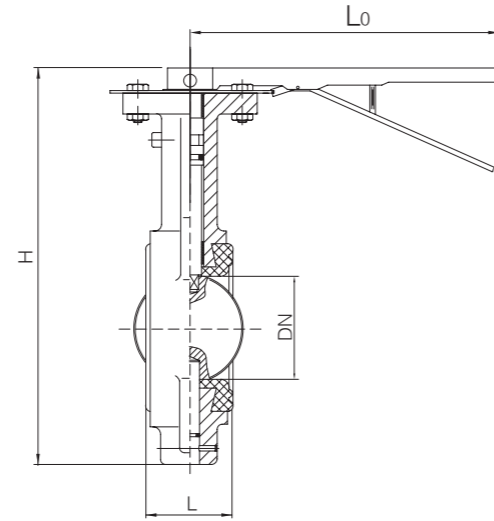
3 J 10
■ D 6 4 1 - C.P.Q.Z. 主要外形与连接尺寸 Main figuration and Connecting Size
9 X 16

DN	外形尺寸 Outline Size										法兰连接尺寸 Flange dimension					
	L	D341X/J			D641X/J			D941X/J			PN10			PN16		
		H1	A1	B1	H2	A2	B2	H3	A3	B3	D	D1	Z-φd	D	D1	Z-φd
50	108	310	125	193	338	180	65	443	125	125	165	125	4-18	165	125	4-18
65	112	333	125	193	358	180	65	463	125	125	185	145	4-18	185	145	4-18
80	114	423	125	193	413	245	72	483	125	125	200	160	8-18	200	160	8-18
100	127	440	125	193	428	245	72	498	125	125	220	180	8-18	220	180	8-18
125	140	455	125	193	444	245	72	682	325	245	250	210	8-18	250	210	8-18
150	140	510	125	193	553	350	93	736	325	245	285	240	8-22	285	240	8-22
200	152	614	165	283	635	350	93	800	325	245	340	295	8-22	340	295	12-22
250	165	680	165	283	742	550	350	895	363	313	395	350	12-22	405	355	12-26
300	178	776	175	334	803	600	350	956	363	313	445	400	12-22	460	410	12-26
350	190	840	175	334	866	600	350	1029	363	313	505	460	16-22	520	470	16-26
400	216	858	210	425	940	600	350	1103	363	313	565	515	16-26	580	525	16-30
450	222	993	210	425	995	750	380	1186	465	439	615	565	20-26	640	585	20-30
500	229	1056	210	425	1058	750	380	1280	546	439	670	620	20-26	715	650	20-33
600	267	1161	210	425	1163	750	380	1321	546	556	780	725	20-30	840	770	20-36
700	430	1328	320	620	1283	750	380	1431	546	556	895	840	24-30	910	840	24-36
800	470	1443	320	620	1398	750	380	1542	546	556	1015	950	24-33	1025	950	24-39
900	510	1543	320	620	1498	1250	380	1800	617	706	1115	1050	28-33	1125	1050	28-39
1000	550	1653	400	620	1608	1500	580	2363	632	706	1230	1160	28-36	1255	1170	28-42
1200	630	1873	400	620	1876	1500	580	2583	632	706	1455	1380	32-39	1485	1390	32-48
1400	710	2310	1000	925							1675	1590	36-42	1685	1590	36-48
1600	790	2595	1000	925							1915	1820	40-48	1930	1820	40-56
1800	870	2810	1100	980							2115	2020	44-48	2130	2020	44-56
2000	950	3100	1100	980							2325	2230	48-48	2345	2230	48-62

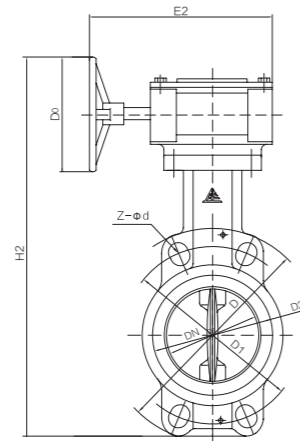
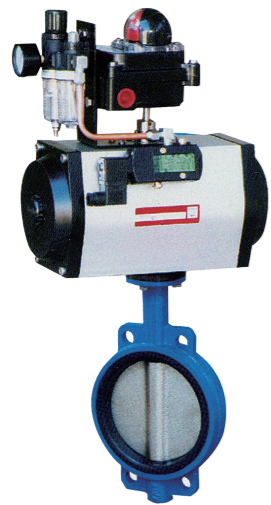
软密封中线蝶阀 – 对夹式中线蝶阀

Midline five、soft seal butterfly valve – Wafer midline butterfly valve

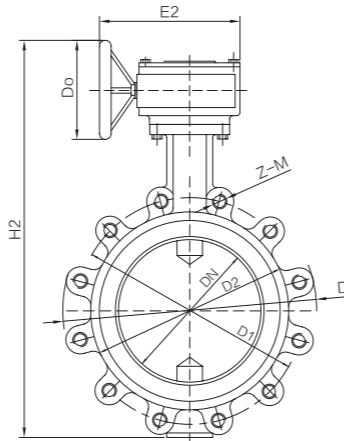
D³ J 10
LD₉ 671 X 16 C.P.Q.Z.



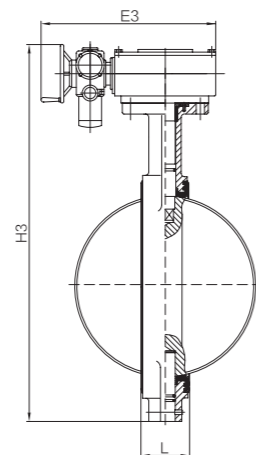
D71



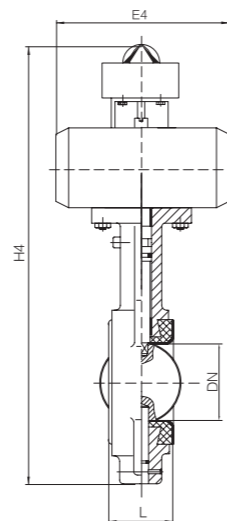
D371



LD371



D971



D671

软密封中线蝶阀 – 对夹式中线蝶阀

Midline five、soft seal butterfly valve – Wafer midline butterfly valve

D³ J 10
LD₉ 671 X 16 C.P.Q.Z. 主要外形与连接尺寸 Main figuration and Connecting Size

DN	PN	法兰连接尺寸 Flange dimension					外形尺寸 Outline Size		
		D	D1	D2	Z-φd	凸耳式螺孔 Z-M Lug type screw hole	L	Lo	H1
50	10\16	165	125	99	4-18	4-M16	43	270	270
65	10\16	185	145	118	4-18	4-M16	46	270	295
80	10\16	200	160	132	8-18	8-M16	46	270	305
100	10\16	220	180	156	8-18	8-M16	52	270	340
125	10\16	250	210	184	8-18	8-M16	56	310	370
150	10\16	285	240	211	8-22	8-M20	56	310	395
200	10	340	295	266	8-22	8-M20	60	370	475
	16	340	295	266	12-22	12-M20	60	370	475

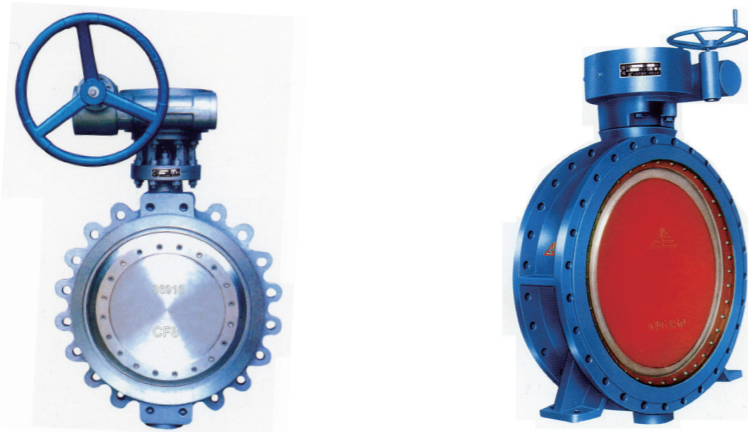
D³ J 10
LD₉ 671 X 16 C.P.Q.Z. 主要外形与连接尺寸 Main figuration and Connecting Size

DN	PN	法兰连接尺寸 Flange dimension					外形尺寸 Outline Size							
		D	D1	D2	Z-φd	凸耳式螺孔 Lug type screw hole Z-M	L	蜗轮手动 Worm gear			电动 Electric		气动 Pneumatic	
								D0	E2	H2	E3	H3	E4	H4
50	10\16	165	125	99	4-18	4-M16	43	150	193	360	125	490	180	370
65	10\16	185	145	118	4-18	4-M16	46	150	193	385	125	515	180	395
80	10\16	200	160	132	8-18	8-M16	46	150	193	395	125	525	245	440
100	10\16	220	180	156	8-18	8-M16	52	150	193	430	125	560	245	475
125	10\16	250	210	184	8-18	8-M16	56	150	193	460	245	760	245	505
150	10\16	285	240	211	8-22	8-M20	56	150	193	485	245	785	350	665
200	10	340	295	266	8-22	8-M20	60	220	283	630	245	900	350	775
	16	340	295	266	12-22	12-M20	60	220	283	630	245	900	350	775
250	10	395	350	319	12-22	12-M20	68	220	283	690	313	990	350	844
	16	405	355	319	12-26	12-M24	68	220	283	690	313	990	600	860
300	10	445	400	370	12-22	12-M20	78	220	334	770	313	1045	600	890
	16	460	410	370	12-26	12-M24	78	280	334	770	313	1045	600	890
350	10	505	460	429	16-22	16-M20	78	280	334	830	313	1115	600	950
	16	520	470	429	16-26	16-M24	78	280	334	830	313	1115	600	950
400	10	565	515	480	16-26	16-M24	102	320	425	910	313	1170	600	1005
	16	580	525	480	16-30	16-M27	102	320	425	910	439	1196	750	1025
450	10	615	565	530	20-26	20-M24	114	320	425	958	439	1236	750	1070
	16	640	585	548	20-30	20-M27	114	320	425	958	439	1236	750	1070
500	10	670	620	582	20-26	20-M24	127	320	425	1045	439	1315	750	1160
	16	715	650	609	20-33	20-M30	127	400	620	1100	556	1360	820	1195
600	10	780	725	682	20-30	20-M27	154	400	620	1215	556	1475	820	1310
	16	840	770	720	20-36	20-M33	154	400	620	1215	556	1475	820	1310

双向密封高性能蝶阀

Two-way seal high performance butterfly valve

3 4 G 10
D 6 5 H - 16 C.P.R.
9 7 25



主要特点与用途 Main Feature and Use

- 阀门用于需要双向密封、频繁启闭、高可靠性要求的管道系统，特别适用于食品、饮料、医药、化工等纯净管路和石化、电力、冶金、交通、大型建筑等领域的重要管道，作启闭或调节介质流量用。
- 阀门采用高性能复合材料密封副，或者堆焊合金钢密封副，耐腐蚀、零泄漏、长寿命。独创的浮动阀座结构确保了阀门的双向密封，彻底解决了偏心蝶阀只能单向密封的问题。本阀门既有三偏心蝶阀的所有优点，又具有高可靠的双向密封性能。
- 阀门有法兰式和通用对夹式及凸耳对夹式等连接方式；有蜗轮手动、电动及气动三种驱动方式可供用户选择。选用电动蝶阀应在合同中详细注明电动装置的性能要求；选用气动蝶阀应在合同中注明所需配件明细。气动装置有电磁换向阀、气源三联件、信号盒、手动机构、定位器等配件可选择。
- This series of valves can be used in pipeline systems requiring bi-directional seals, frequent opening and closing and high reliability; particularly they can be used as open-close switches or flow regulators in clean pipelines for foods, beverages, medicines and chemical engineering, as well as in major pipelines in the petrochemical industry, the electric power industry, the metallurgical industry, traffic and large buildings etc.
- The valves adopts high-performance seal pairs made of composite materials or seal pairs with surfacing alloy steel, which are of good resistance to corrosion, zero leakage and a long service life. The unique floating valve seats have ensured bi-directional seal of the valves and radically solved the one-way seal problem of eccentric butterfly valves. This series of valves have highly reliable bi-directional sealing performance, in addition to all advantages of tri-eccentric butterfly valves.
- The valves can be connected with flanges or in a general wafer style or lug wafer style; manual worm gear, electric and pneumatic driving modes are optional. If electrical butterfly valves are selected, requirements for performance of the electric devices shall be specified in the contract; if pneumatic butterfly valves are selected, specific accessories required shall be listed in the contract. For pneumatic devices, optional accessories include solenoid directional valves, pneumatic FRL (filters, relief valves, and lubricators), signal boxes, manual mechanisms and locators.

产品标准 Products standard

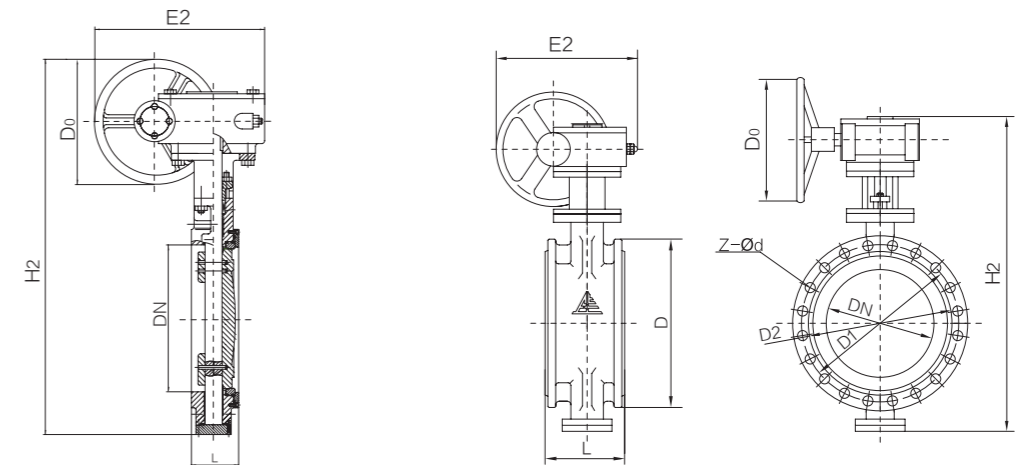
设计与制造 Design and manufacture	结构长度 Face-to-face dimension	法兰连接尺寸 Flange dimension	试验与检验 Test and inspection
GB/T 12238 GB/T 8527	GB/T 12221	GB/T 9113	GB/T 13927

主要零部件材料及适用范围 Main parts material and application range

适用介质 Suitable medium	水、蒸汽、油品等 Water, Steam, Oil		腐蚀性介质、纯净介质 Corrosive media, Pure medium	
适用温度 Suitable temperature	≤ 200°C			
材料 Material				
阀体 Body	铸钢 WCB		不锈钢 Stainless steel CF8(CF8M)	
蝶板 Disc			不锈钢 Stainless steel CF8(CF8M)	
密封圈 Seal	高性能复合材料 High performance composite material	密封面堆焊 Seal Surfacing Cr13	G型 - 高性能复合材料 G - High performance composite material	H型 - 不锈钢 H - Stainless steel 304 (316)
阀杆 Shaft	不锈钢 Stainless steel 2Cr13		不锈钢 Stainless steel 304 (316)	
填料 Packing	柔性石墨 Gentle graphite		柔性石墨 Gentle graphite; 聚四氟乙烯 PTFE	

双向密封高性能蝶阀

Two-way seal high performance butterfly valve



主要外形与连接尺寸 Main figuration and Connecting Size

DN	外形尺寸 Outline Size					法兰连接尺寸 Flange dimension								
						PN10			PN16			PN25		
	对夹 L Wafer L	法兰 L Flange L	H2	E2	D0	D	D1	Z-φd	D	D1	Z-φd	D	D1	Z-φd
50	43	108	418	185	160	165	125	4-18	165	125	4-18	165	125	4-18
65	46	112	446	185	160	185	145	4-18	185	145	4-18	185	145	8-18
80	49	114	453	185	160	200	160	8-18	200	160	8-18	200	160	8-18
100	56	127	475	185	160	220	180	8-18	220	180	8-18	235	190	8-22
125	64	140	522	185	160	250	210	8-18	250	210	8-18	270	220	8-26
150	70	140	592	280	230	285	240	8-22	285	240	8-22	300	250	8-26
200	71	152	650	280	230	340	295	8-22	340	295	12-22	360	310	12-26
250	76	165	720	375	300	395	350	12-22	405	355	12-26	425	370	12-30
300	83	178	836	375	300	445	400	12-22	460	410	12-26	485	430	16-30
350	92	190	990	375	300	505	460	16-22	520	470	16-26	555	490	16-33
400	102	216	1060	400	350	565	515	16-26	580	525	16-30	620	550	16-36
450	114	222	1150	400	350	615	565	20-26	640	585	20-30	670	600	20-36
500	127	229	1230	496	400	670	620	20-26	715	650	20-33	730	660	20-36
600	154	267	1440	540	450	780	725	20-30	840	770	20-36	845	770	20-39
700	165	292	1550	540	450	895	840	24-30	910	840	24-36	960	875	24-42
800	190	318	1655	540	450	1015	950	24-33	1025	950	24-39	1085	990	24-48
900	203	330	1761	590	500	1115	1050	28-33	1125	1050	28-39	1185	1090	28-48
1000	216	410	2110	590	500	1230	1160	28-36	1255	1170	28-42	1320	1210	28-56

通风蝶阀 Draught butterfly valve

3 0.5
D641W - 1 C.P.R.
9 2.5



主要特点与用途 Main Feature and Use

- 阀门用于通风除尘管道系统，作双向启闭与调节流量用。
- 阀门结构简单，性能可靠，可任意方向安装，不受介质流向限制。
- 阀门分段轴设计，薄型蝶板，是流阻较小的蝶阀。根据泄漏量及工作温度的不同要求，有两种密封结构可供选择。
- This series of valves are used as bi-directional open-close switches and flow regulators in ventilation and dust removal pipeline systems.
- The valves feature simple structures and reliable performance; they can be installed in either direction without considering the restraint of medium flow direction.
- The valves have segmented shafts and thin butterfly plates, with relatively small flow resistance. Based on different requirements for the leakage rate and working temperature, two sealing structures are optional.

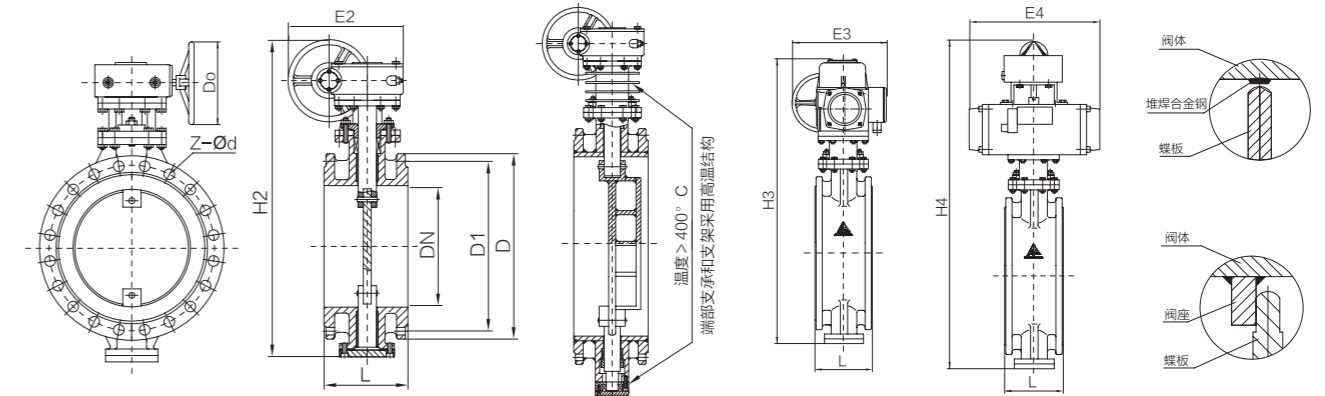
产品标准 Products standard

设计与制造 Digen and manufacture	结构长度 Face-to-face dimension	法兰连接尺寸 Flange dimension	试验与检验 Test and inspection
JB/T 8692	GB/T 12221	GB/T 9115	JB/T 8692

主要零部件材料及适用范围 Main parts material and application range

适用介质 Suitable medinm	空气、烟气、含尘气体等 Air, smoke, dust contained gas		高温烟气、含尘气体 High temperature flue gas, dust contained gas	腐蚀性烟气、含尘气体 Corrosive gas, dust contained gas
适用温度 Suitable temperature	≤ 400°C	≤ 500°C	≤ 650°C	≤ 350°C
泄漏量 Leakage ratio	≤ 1% ~ ≤ 3%			
材 料 Material				
阀 体 Body	铸钢 Carben steel WCB	钢板焊材 Q345D(16MnRE)	不锈钢 ZG1Cr18Ni9 CF3 CF8 钢板焊接 304 304L	不锈钢 ZG1Cr18Ni9Ti CF3M CF8M 钢板焊接 316 316L
蝶 板 Disc	碳钢 WCB Q235A	锰钢 Q345D(16MnRE)	不锈钢 Stainless steel 1Cr18Ni9 304 304L	不锈钢 Stainless steel 1Cr18Ni9Ti 316 316L
阀 杆 Shaft	不锈钢 Stainless steel 2Cr13		不锈钢 Stainless steel 1Cr18Ni9 304 304L	不锈钢 Stainless steel 1Cr18Ni9Ti 316 316L
填 料 Packing	柔性石墨 Gentle graphite		夹镍丝编织柔性石墨 Inserted gentile graphite	柔性石墨 聚四氟乙烯编制填料 Gentile graphite,teflon and knit

通风蝶阀 Draught butterfly valve



主要外形与连接尺寸 Main figuration and Connecting Size

DN	L	法兰连接尺寸 Flange dimension			外形尺寸 Outline Size							
		D	D1	Z-φd	蜗轮 Worm D341W 型		电动 Electric941W 型		气动 PneumaticD641W 型			
					D0	E2	H2	E3	H3	E4	H4	
50	108	140	110	4-14	150	193	435	125	490	180	443	
65	112	160	130	4-14	150	193	440	125	515	180	457	
80	114	190	150	4-18	150	193	475	125	525	245	510	
100	127	210	170	4-18	150	193	495	125	560	245	540	
125	140	240	200	8-18	150	193	535	245	760	245	587	
150	140	265	225	8-18	150	193	645	245	785	350	685	
200	152	320	280	8-18	220	330	710	245	900	350	775	
250	165	375	335	12-18	220	330	765	313	990	350	855	
300	178	440	395	12-22	280	350	950	313	1045	600	1000	
350	190	490	445	12-22	280	350	1080	313	1110	600	1035	
400	190	540	495	16-22	320	496	1170	313	1280	600	1105	
450	190	595	550	16-22	320	496	1240	439	1330	750	1180	
500	190	645	600	20-22	320	496	1375	439	1460	750	1270	
600	210	755	705	20-26	320	496	1590	556	1950	750	1490	
700	210	860	810	24-26	400	686	1830	556	2050	750	1720	
800	210	975	920	24-30	400	686	2060	730	2280	750	1950	
900	250	1075	1020	24-30	400	686	2180	730	2390	1060	2130	
1000	250	1175	1120	28-30	400	686	2380	730	2570	1060	2360	
1200	250	1375	1320	32-30	400	686	2650	730	2890	1360	2610	
1400	300	1575	1520	36-30	500	850	3160	890	3150	1380	2920	
1600	300	1790	1730	40-30	500	850	3320	890	3390	2840	3380	
1800	300	1990	1930	44-30	500	850	3410	890	3620	2840	3490	
2000	300	2190	2130	48-30	500	850	3620	890	3810	3300	3760	
2200	350	2405	2340	52-33	500	850	3850	890	4070			
2400	350	2605	2540	56-33	500	850	4070	890	4220			
2600	350	2805	2740	60-33	500	850	4300	890	4490			
2800	400	3030	2960	64-36	500	916	4510	1090	5250			
3000	400	3230	3160	68-36	600	966	4730	1090	5460			
3200	450	3430	3360	72-36	600	966	4980	1090	5710			
3400	450	3630	3560	76-36	600	966	5270	1090	6150			
3600	450	3840	3770	80-36	600	966	5520	1090	6630			
3800	500	4045	3970	80-39	800	1130	6560	1180	7850			
4000	500	4245	4170	84-39	800	1130	7100	1180	8180			
4500	500	4850	4750	92-48	800	1130	7830	1450	8920			
5000	550	5350	5250	96-48	900	1180	8520	1450	9630			
5500	500/600	5850	5750	100-48	900	1180	9650	1450	10720			
6000	600	6400	6250	108-56	900	1180	10550	1820	11580			

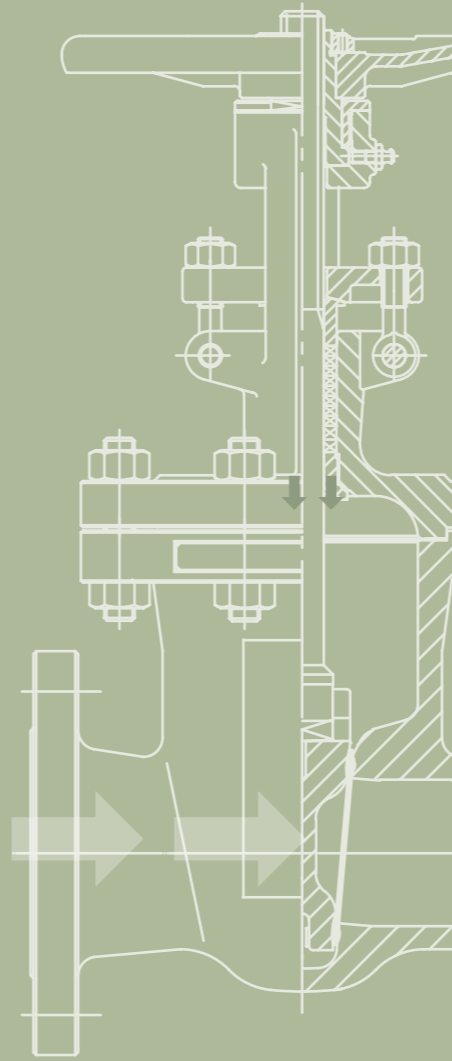
闸阀系列

Gate valve Services

产品概述 Products Overview:

闸阀是指关闭件（闸板）沿通道轴线的垂直方向移动，达到开启或关闭目的阀门。在管路中主要作为接通或切断介质用，即全开或全闭使用。一般闸阀不可作为节流使用，它可以用于高温和高压，也可以用于低温和低压，并可以用于各种不同介质。

Gate valve is closed parts (ram) along the channel axis vertical direction, to achieve open or close the valve. In the main for put through or cut off the medium in pipeline, namely full open or full close. General gate valves cannot be used as a throttle, it can be used in high temperature and high pressure, can also be used in low temperature and low pressure, and can be used in a variety of different medium.



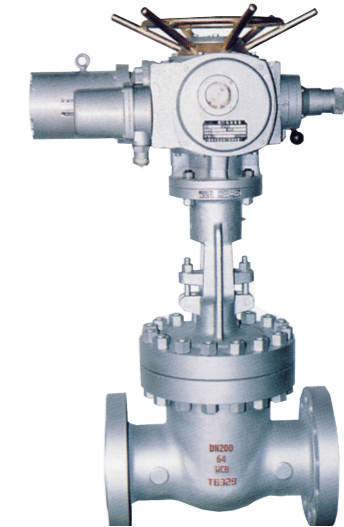
产品特点 Products Features:

1. 流通阻力比较小，安全可靠。
 2. 开启或关闭时所需力矩较小。
 3. 可以使用在介质向两个方向流动的环网管路上，也就是说介质的流向不受限制。
 4. 全开时，密封面受工作介质的冲蚀比截止阀小。
 5. 形体比较简单，易于铸造和加工。
 6. 结构长度比较小。
1. The flow resistance is small, safe and reliable;
 2. When opening or closing the required torque smaller;
 3. Can be used in the medium flow in two directions of ring network management way, that is to say, the flow of medium is not restricted;
 4. Wide open, the sealing surface erosion by working medium is smaller than globe valves;
 5. The form is simple, easy to casting and machining;
 6. The structure length is small.

闸阀

Gate valve

5 0 H 16
Z 4 1 Y - 25 C.P.R.I.
9 2 W 40
63



主要特点与用途 Main Feature and Use

- 结构紧凑，设计合理，阀门刚性好，通道流畅，流阻系数小。
- 密封面采用不锈钢和硬质合金钢，使用寿命长。
- 采用柔性石墨填料，密封可靠，操作轻便灵活。
- 驱动方式分别有手动，电动、气动、齿轮传动，结构形式：弹性单闸板，刚性楔式单闸板和双闸板型式。
- 广泛适用于石油，化工，火力发电厂等的水、蒸汽、油品及腐蚀性介质等设备和管道上，用作接通或切断管道中介质的启闭装置。
- Compact structure, reasonable design, sound rigidity, smooth channel and small flow resistance factor.
- The sealing surface is made of stainless steel and hard alloy steel, and has a long service life.
- The valves adopt flexible graphite packing, featuring reliable seal, easy and flexible operation.
- For driving modes, manual, electric, pneumatic and gear transmission modes are available. For structural forms, there are flexible single gate structure, rigid wedge-type single gate structure and double-gate structure.
- This series of valves are widely used as open-close switches in equipment and pipes for water, steam, oil products and corrosive media in petroleum industry, chemical engineering, coal-fired power plants to carry on or cut off the media in the pipes.

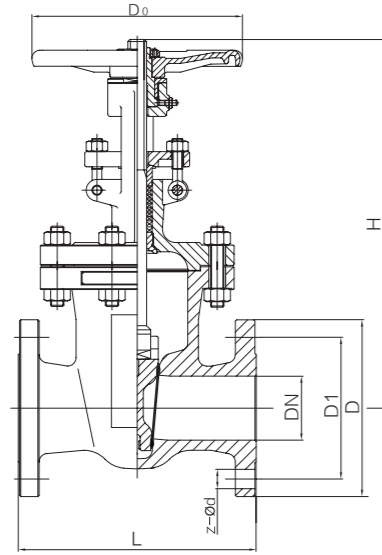
产品标准 Products standard

设计与制造 Design and manufacture	结构长度 Face-to-face dimension	法兰连接尺寸 Flange dimension	试验与检验 Test and inspection
GB/T 12234 GB/T 12224	GB/T 12221	GB/T 9113、HG/T 20592 JB/T 79、GB/T 17241.6	GB/T 13927

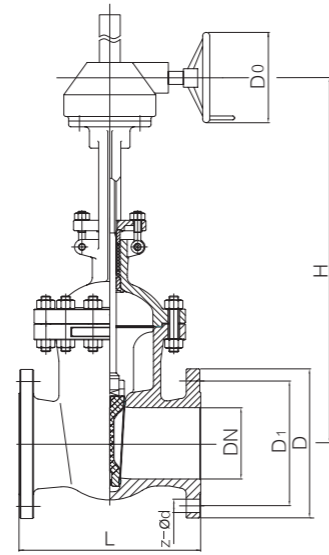
主要零部件材料及适用范围 Main parts material and application range

阀体、阀盖 Body, Bonnet	闸板、阀座 Wedge disc, Seat ring	阀杆 Shaft	阀杆螺母 Yoke nut	填料 Packing	手轮 hand wheel
碳钢 Carburizing steel	碳钢 + 硬质合金或不锈钢 Carburizing steel + carbide alloy or stainless steel	铬不锈钢 Cr, Stainless steel	铝青铜 Al bronze	柔性石墨 Gentle graphite	可锻铸铁 球墨铸铁 冲压碳钢 Forgable cast-iron Gentle graphite Stamping steel
铬镍钛钢 Cr, Ni, Ti steel	不锈钢 + 硬质合金 Stainless steel + carbide alloy	铬镍钛不锈钢 Cr, Ni, Ti Stainless steel		聚四氟乙烯 增强柔性石墨（夹合金丝） PTFE Better gentle graphite (alloy inside)	
铬镍钼钛钢 Cr, Ni, Mo, Ti steel	不锈钢 + 硬质合金 Stainless steel + carbide alloy	铬镍钼钛不锈钢 Cr, Ni, Mo, Ti Stainless steel		增强柔性石墨（夹合金丝） Better gentle graphite (alloy inside)	
铬钼钢 Cr, Mo steel	合金钢 + 硬质合金 Alloy steel + carbide alloy	铬钼钢 Cr, Mo Stainless steel			

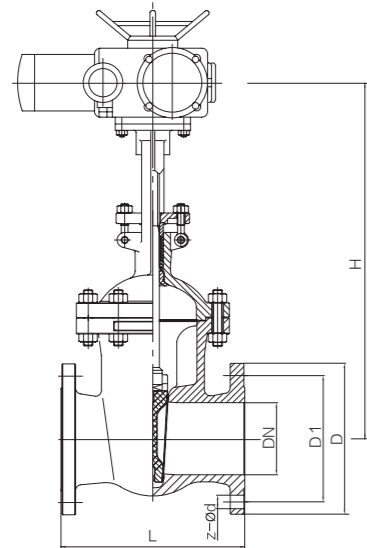
闸阀
Gate valve



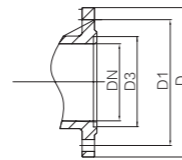
手动闸阀 Manual gate valve



伞齿轮传动 Bevel gear transmission



电动传动 Electric transmission



≥ PN40

PN16/PN25 主要外形尺寸及连接尺寸 Main figuration and Connecting Size

DN	L	法兰连接尺寸 Flange dimension						主要外形尺寸 Outline Size				
		PN16			PN25			手动 Hand		伞齿轮 Bevel gear		电动 Electric
		D	D1	Z-φd	D	D1	Z-φd	H	D0	H	D0	H
15	130	95	65	4-14	95	65	4-14	240	120			
20	150	105	75	4-14	105	75	4-14	284	140			
25	160	115	85	4-14	115	85	4-14	303	160			
32	180	140	100	4-18	140	100	4-18	321	180			
40	200	150	110	4-18	150	110	4-18	352	200			
50	250	165	125	4-18	165	125	4-18	438	240			650
65	270	185	145	8-18	185	145	8-18	450	240			665

闸阀
Gate valve

80	280	200	160	8-18	200	160	8-18	528	280			725
100	300	220	180	8-18	235	190	8-22	620	300			787
125	325	250	210	8-18	270	220	8-26	753	320			810
150	350	285	240	8-22	300	250	8-26	847	360			955
200	400	340	295	12-22	360	310	12-26	1039	400			1105
250	450	405	355	12-26	425	370	12-30	1245	450			1345
300	500	460	410	12-26	485	430	16-30	1472	560	1310	640	1520
350	550	520	470	16-26	555	490	16-33	1450	640	1468	640	1680
400	600	580	525	16-30	620	550	16-36	1887	640	1780	640	1850
450	650	640	585	20-30	670	600	20-36	2011	720	1800	640	1940
500	700	715	650	20-33	730	660	20-36	2181	720	2100	640	2240
600	800	840	770	20-36	845	770	20-39	2345	800	2410	640	2435
700	900	910	840	24-36	960	875	24-42	2820	880	2600	640	2490
800	1000	1025	950	24-39	1085	990	24-48	3015	980	2860	720	2645
900	1100	1125	1050	28-39	1185	1090	28-48	3445	1080	3170	720	2950
1000	1200	1255	1170	28-42	1320	1210	28-56	3685	1180			3085

PN40/PN63 主要外形尺寸及连接尺寸 Main figuration and Connecting Size

DN	L	法兰连接尺寸 Flange dimension							主要外形尺寸 Outline Size				
		D3	PN40			PN63			手动 Hand		伞齿轮 Bevel gear		电动 Electric
			D	D1	Z-φd	D	D1	Z-φd	H	D0	H	D0	H
20	150/190	51	105	75	4-14	130	90	4-18	285	140			
25	160/210	58	115	85	4-14	140	100	4-18	275	160			
32	180/230	66	140	100	4-18	155	110	4-22	287	180			
40	200/240	76	150	110	4-18	170	125	4-22	323	200			
50	250	88	165	125	4-18	180	135	4-22	372	280			650
65	280	110	185	145	8-18	205	160	8-22	395	280			650
80	310	121	200	160	8-18	215	170	8-22	457	320			800
100	350	150	235	190	8-22	250	200	8-26	552	360			835
125	400	176	270	220	8-26	295	240	8-30	634	400			880
150	450	204	300	250	8-26	345	280	8-33	708	400			997
200	550	260	375	320	12-30	415	345	12-36	858	450			1122
250	650	313	450	385	12-33	470	400	12-36	1015	560			1276
300	750	364	515	450	16-33	530	460	16-36	1203	640	1500	640	1470
350	850	422	580	510	16-36	600	525	16-39	1341	640	1960	640	1960
400	950	474	660	585	16-39	670	585	16-42	1492	720	2170	640	2170

(无)带导流孔平板闸阀 Parallel slide gate valve with/without guide hole

3 16
Z44 F-25 C
H-40
7 63



主要特点与用途 Main Feature and Use

- 阀座采用 O 形密封圈和施加预紧力的浮动阀座结构，进出口均可密封。
- 阀座密封面上镶嵌聚四氟乙烯，具有聚四氟乙烯对金属，金属对金属的双重密封，聚四氟乙烯密封面同时也有清除闸板脏物的作用。
- 带导流孔的闸阀，无论是全开或是全闭始终与密封面接触，密封面得到保护不受介质直接冲刷，从而延长使用寿命。
- 适用于非腐蚀性介质的石油，天然气等管路上，作闭路装置。
- 可按用户要求加装齿轮传动、气动以及电动等装置。
- For the valve seats, pre-stressed floating valve seat with O-rings are used. Both inlets and outlets can be sealed.
- On the sealing surface of the valve seats is Teflon inlaid to form Teflon-metal and metal-metal double seals. Meanwhile, the Teflon sealing surface can also act to remove dirt on the gates.
- Gate valves with diversion holes are always in contact with the sealing surface no matter in the fully open or fully closed condition, so that the sealing surface is protected from direct washing by media and thus has a longer service life.
- This series of valves can be used as shutoff devices in pipelines for non-corrosive media such as petroleum and natural gas.
- Gear transmission, pneumatic and electrical devices and be added based on users' requirements.

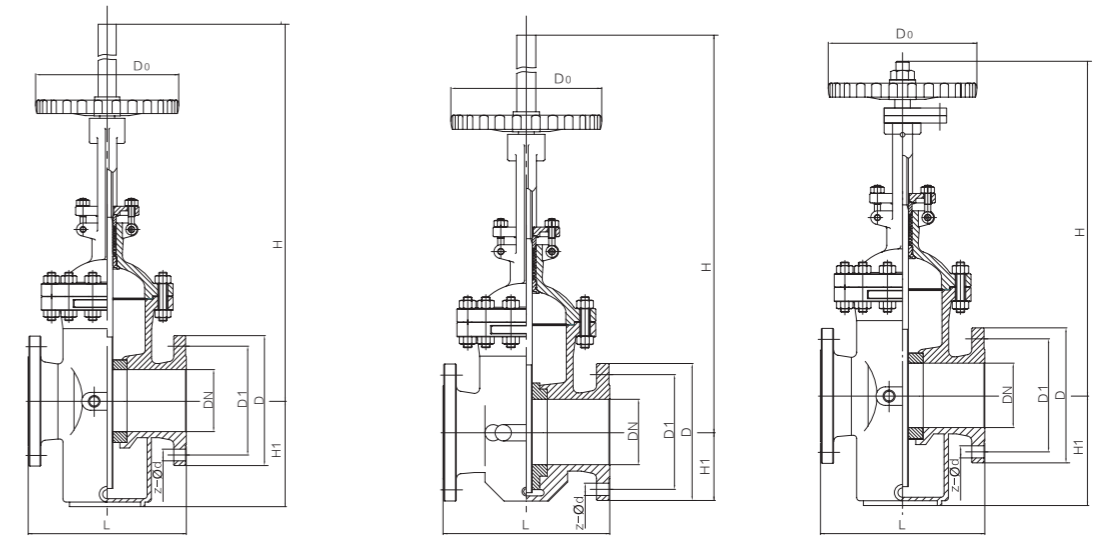
产品标准 Products standard

设计与制造 Digen and manufacture	结构长度 Face-to-face dimension	连接尺寸 Connecting Size	试验与检验 Test and inspection
JB/T 5298、API6D	GB/T 12221 ANSI B16.10	法兰 Flange: GB/T 9113、HG/T 20592、ANSI B16.5 焊接 Weld: GB/T 12224 ANSI B16.25 螺纹 Screw: ANSI B16.34	GB/T 13927

主要零部件材料及适用范围 Main parts material and application range

阀体、阀盖 Body, Bonnet	阀板 Disc	阀杆 Shaft	阀座 Seat	填料 Packing	适用温度 Suitable temperature	适用介质 Suitable medium
铸钢 cast steel: WCB	2Cr13+ENP	2Cr13	25+PTFE	NBR/FPM	-29℃ ~121℃	水、油蒸汽等 Water, Oil, Steam

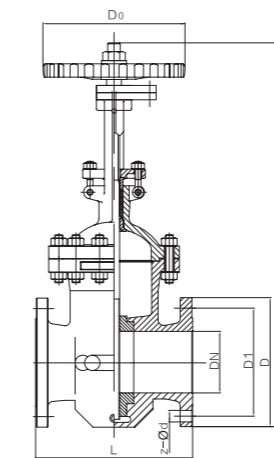
(无)带导流孔平板闸阀 Parallel slide gate valve with/without guide hole



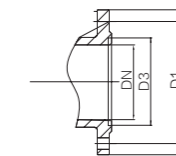
带导流孔 Guide holes

无导流孔 Without guide holes

暗杆带导流孔 Non rising stem & Guide holes



暗杆无导流孔 Non rising stem Without guide holes



≥ PN40

PN16/PN25 主要外形尺寸及连接尺寸 Main figuration and Connecting Size

DN	L	法兰连接尺寸 Flange dimension						主要外形尺寸 Outline Size				
		PN16			PN25			带导流孔 guide holes	无导流孔 Without guide holes	明杆 rising stem	暗杆 Non rising stem	D0
		D	D1	Z-φd	D	D1	Z-φd	H1	H1	H	H	
50	178	165	125	4-18	165	125	4-18	130	80	450	255	250
65	190	185	145	8-18	185	145	8-18	160	95	550	355	300
80	203	200	160	8-18	200	160	8-18	180	100	610	360	300
100	229	220	180	8-18	235	190	8-22	214	114	700	400	300
125	254	250	210	8-18	270	220	8-26	257	132	798	460	350
150	267	285	240	8-22	300	250	8-26	300	150	895	500	350

(无)带导流孔平板闸阀**Parallel slide gate valve with/without guide hole**

200	292	340	295	12-22	360	310	12-26	390	190	1130	570	350
250	330	405	355	12-26	425	370	12-30	480	225	1290	680	400
300	356	460	410	12-26	485	430	16-30	550	250	1480	750	450
350	381	520	470	16-26	555	490	16-33	625	275	1660	875	450
400	406	580	525	16-30	620	550	16-36	710	312	1850	1000	500
450	432	640	585	20-30	670	600	20-36	785	335	2080	1130	500
500	457	715	650	20-33	730	660	20-36	880	380	2300	1200	600
600	508	840	770	20-36	845	770	20-39	1050	445	2680	1420	800
700	610	910	840	24-36	960	875	24-42	1190	490	3080	1650	800
800	660	1025	950	24-39	1085	990	24-48	1360	560	3490	1880	1000
900	711	1125	1050	28-39	1185	1090	28-48	1510	610	3900	2100	1000
1000	811	1255	1170	28-42	1320	1210	28-56	1720	715	4320	2300	1200

PN40/PN63 主要外形尺寸及连接尺寸 Main figuration and Connecting Size

DN	D3	法兰连接尺寸 Flange dimension								主要外形尺寸 Outline Size				D0
		PN40				PN63				带导流孔 guide holes H1	无导流孔 Without guide holes H1	明杆 rising stem H	暗杆 Non rising stem H	
		L	D	D1	Z-φd	L	D	D1	Z-φd					
50	88	216	165	125	4-18	250	180	135	4-22	130	80	450	255	250
65	110	241	185	145	8-18	280	205	160	8-22	160	95	550	355	300
80	121	283	200	160	8-18	310	215	170	8-22	180	100	610	360	300
100	150	305	235	190	8-22	350	250	200	8-26	214	114	700	400	300
125	176	381	270	220	8-26	400	295	240	8-30	257	132	798	460	350
150	204	403	300	250	8-26	450	345	280	8-33	300	150	895	500	350
200	260	419	375	320	12-30	550	415	345	12-36	390	190	1130	570	350
250	313	457	450	385	12-33	650	470	400	12-36	480	225	1290	680	400
300	364	502	515	450	16-33	750	530	460	16-36	550	250	1480	750	450
350	422	762	580	510	16-36					625	275		875	450
400	474	838	660	585	16-39					710	312		1000	500
450	524	914	685	610	20-39					785	335		1130	500
500	576	991	755	670	20-42					880	380		1200	600
600	676	1143	890	795	20-48					1050	445		1420	800

浆液闸阀**Parallels slide valve**

5 2.5
Z673 X - 6 C
9 10

**主要特点与用途 Main Feature and Use**

- 采用对夹结构，体积小，重量轻。
- 完全敞开的通道，可以防止介质在阀体内积渣。
- 具有刚性好，流阻系数小，密封可靠，操作轻便灵活。
- 广泛用于化工，煤炭、制糖、污水、造纸及工况条件苛刻的环境中输送浆体及粉体物料。
- This series of valves are of wafer-style structure, featuring small sizes and light weight.
- They have fully open channels, which can prevent entry of media into the valve bodies to form slag deposition.
- The valves feature good rigidity, small flow resistance factor, reliable seal, easy and flexible operation.
- They are widely used in chemical engineering, coal, sugar-making, waste water treatment, paper-making and transmission of slurries and powder materials in environments with demanding working conditions.

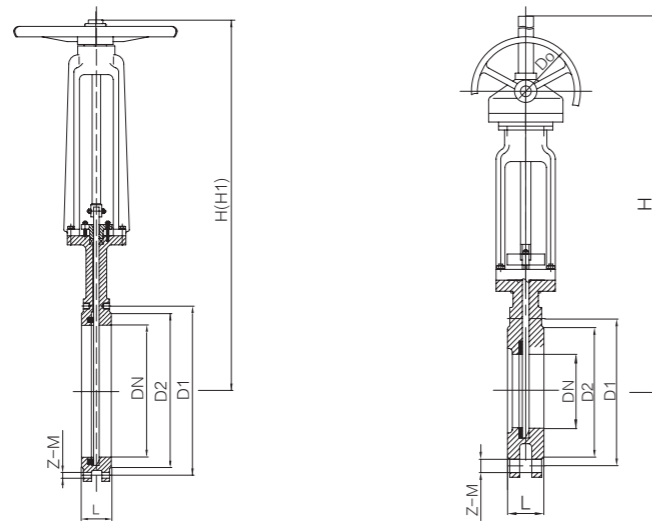
产品标准 Products standard

设计与制造 Design and manufacture	结构长度 Face-to-face dimension	法兰连接尺寸 Flange dimension	试验与检验 Test and inspection
JB/T 8691	GB/T 12221	GB/T 9113	GB/T 13927

主要零部件材料及适用范围 Main parts material and application range

阀体 Body	阀板、阀座 Disc、Seat	密封组件 Seal	阀杆 Shaft	适用温度 Suitable temperature	适用介质 Suitable medium
铸钢 cast steel	硬质合金 Hornines alloy	耐磨、耐腐蚀、耐高温橡胶 Acid-resistant, corrosion-resistant, high temperature resistant rubber	不锈钢 Stainless steel	≤ 200°C	粉煤灰、干粉尘、气体、水等 Fly ash, dry dust, gas, water, etc.

浆液闸阀 Parallels slide valve



Z73/673/573/973/X-2.5/6/10C 主要外形与连接尺寸 Main figuration and Connecting Size

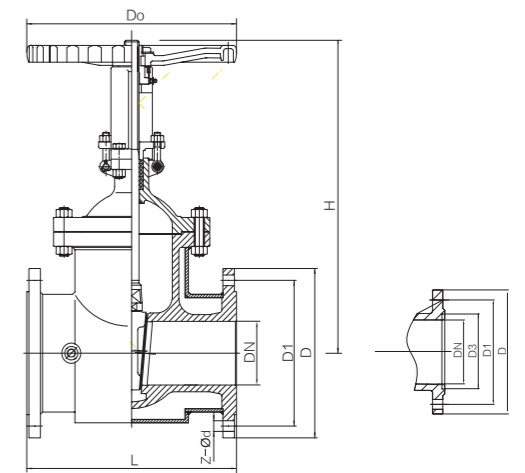
DN	L	D1	D2	Z-M	H	H1	D0
50	40	125	102	4-M16	337	268	180
65	40	145	122	4-M16	357	291	180
80	50	160	138	8-M16	400	316	180
100	50	180	158	8-M16	466	364	200
150	60	270	212	8-M20	633	478	240
200	60	295	268	8-M20	744	543	280
250	70	350	320	12-M20	940	687	360
300	70	400	370	12-M20	1087	783	360
350	80	460	430	16-M20	1238	885	400
400	80	515	482	16-M24	1394	994	400
450	90	565	532	20-M24	1550	1100	400
500	90	620	585	20-M24	1700	1200	400
600	100	725	685	20-M27	2080	1480	400
700	100	840	800	24-M27	1720	2470	800
800	120	950	905	24-M30	2000	2900	800
900	150	1050	1005	28-M30	2130	3100	800

Z73/673/573/973/X-16C 主要外形与连接尺寸 Main figuration and Connecting Size

DN	L	D1	D2	Z-M	H	H1	D0
200	60	295	268	12-M20	754	552	240
250	68	355	320	12-M24	945	692	240
300	78	410	378	12-M24	1010	788	370
350	78	470	438	16-M24	1245	890	370
400	102	525	490	16-M27	1685	1000	400
450	114	585	550	20-M27	1835	1110	400
500	127	650	610	20-M30	1926	1230	400
600	154	770	725	20-M33	2360	1500	800

保温闸阀 Heat preservation gate valve

BZ41 Y-16 C.P.R.
W-25
63-40



主要特点与用途 Main Feature and Use

- 主要应用于化工、石油、制药、冶金等行业的保温系统管路中，作用是输送在常温状态下会凝固、易结晶的介质。
- 保温闸阀系列法兰之间焊接有金属夹套，在阀体的侧面或底部设置了夹套接口，用于注入蒸汽或其它保温、保冷介质，确保阀内介质能够正常工作。
- This series of valves are mainly used in thermal insulation pipelines for transmission of media in chemical engineering, petroleum, pharmaceutical and metallurgical industries that will solidify or crystallize under normal temperature.
- Thermal insulation gate valves have metallic jackets welded between flanges, with jacket interfaces provided on the side or at the bottom of the valve bodies for injection of steam or other thermal or cold insulation media, so as to ensure normal work of media inside the valves.

产品标准 Products standard

设计与制造 Digen and manufacture	结构长度 Face-to-face dimension	法兰连接尺寸 Flange dimension	试验与检验 Test and inspection
GB/T 12234	GB/T 12221	GB/T 9113、HG/T 20592	GB/T 13927

主要零部件材料及适用范围 Main parts material and application range

适用温度 Suitable temperature	≤ 150℃	≤ 200℃	≤ 200℃	≤ 200℃
适用介质 Suitable medinm	酸、碱类 Acid alkali	酸、碱类 Acid alkali	酸、碱类 Acid alkali	酸、碱类 Acid alkali
材料 Material				
阀体、阀盖 Body、Cover	碳钢 WCB	铬镍钛钢 Cr.Ni.Ti.steel	铬镍钼钛钢 Cr.Ni.Mo.Ti.steel	铬钼钢 Cr.Mo.steel
闸板、阀座 Gate disc、seat	碳钢 + 硬质合金钢或不锈钢 WCB+Hornines alloy steel or stainless steel	不锈钢 Stainless steel 不锈钢 + 硬质合金 Stainless steel+Hornines alloy	不锈钢 Stainless steel 不锈钢 + 硬质合金 Stainless steel+Hornines alloy	合金钢 + 硬质合金 Alloy steel +Hornines alloy
阀杆 Shaft	铬不锈钢 Cr.Stainless steel	铬镍钛不锈钢 Cr.Ni.Ti.Stainless steel	铬镍钼钛不锈钢 Cr.Ni.Ti.Stainless steel	铬钼钒钢 Chrome-molybdenum- vanadium steel
阀杆螺母 Stem nut	铝青铜 Al bronze	铝青铜 Al bronze	铝青铜 Al bronze	铝青铜 Al bronze
填料 Packing	柔性石墨 Gentle graphite	聚四氟乙烯; 增强柔性石墨 (夹合金丝) PTFE; Better gentle graphite(alloy inside)	聚四氟乙烯; 增强柔性石墨 (夹合金丝) PTFE; Better gentle graphite(alloy inside)	增强柔性石墨 (夹合金丝) Better gentle graphite(alloy inside)
手轮 Handwheel	可锻铸铁; 球墨铸铁; 冲压碳钢 Forged; Nodular cast iron; Die stamping carbon steel			

保温闸阀 Heat preservation gate valve

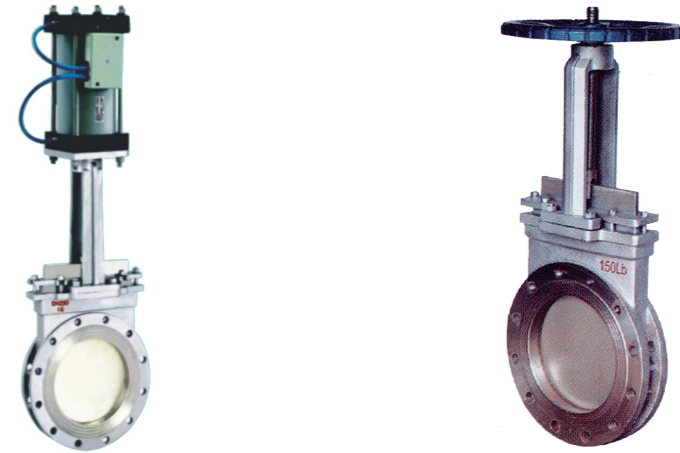
PN16 / PN25 主要外形与连接尺寸 Main figuration and Connecting Size

DN	外形尺寸 Outline Size			法兰连接尺寸 Flange dimension					
				PN16			PN25		
	L	H	D0	D	D1	Z-φd	D	D1	Z-φd
15	130	170	120	95	65	4-14	95	65	4-14
20	150	190	140	105	75	4-14	105	75	4-14
25	160	205	160	115	85	4-14	115	85	4-14
32	180	270	180	135	100	4-18	135	100	4-18
40	200	310	200	150	110	4-18	150	110	4-18
50	250	358	240	165	125	4-18	165	125	4-18
65	265	373	240	185	145	8-18	185	145	8-18
80	280	435	280	200	160	8-18	200	160	8-18
100	300	500	300	220	180	8-18	235	190	8-22
125	325	614	320	250	210	8-18	270	220	8-26
150	350	674	360	285	240	8-22	300	250	8-26
200	400	818	400	340	295	12-22	360	310	12-26
250	450	969	450	405	355	12-26	425	370	12-30
300	500	1145	500	460	410	12-26	485	430	16-30

PN40 / PN63 主要外形与连接尺寸 Main figuration and Connecting Size

DN	外形尺寸 Outline Size			法兰连接尺寸 Flange dimension							
				PN40				PN63			
	L	H	D0	D	D1	D3	Z-φd	D	D1	D3	Z-φd
15	130	140	140	95	65	40	4-14	105	75	40	4-14
20	150	195	160	105	75	51	4-14	130	90	51	4-18
25	160	210	180	115	85	58	4-14	140	100	58	4-18
32	180	280	180	140	100	66	4-18	155	110	66	4-22
40	200	328	240	150	110	76	4-18	170	125	76	4-22
50	250	390	280	165	125	88	4-18	180	135	88	4-22
65	280	410	280	185	145	110	8-18	205	160	110	8-22
80	310	485	230	200	160	121	8-18	215	170	121	8-22
100	350	590	320	235	190	150	8-22	250	200	150	8-26
125	400	688	360	270	220	176	8-26	295	240	176	8-30
150	450	768	400	300	250	204	8-26	345	280	204	8-33
200	550	972	450	375	320	260	12-30	415	345	260	12-36
250	650	1059	500	450	385	313	12-33	470	400	313	12-36

刀型闸阀 Knife type valves

$$\begin{matrix} 5 \\ Z673 \\ 9 \end{matrix} \begin{matrix} W \\ H \\ 16 \end{matrix} \begin{matrix} 10 \\ - \\ C.P. \end{matrix}$$


主要特点与用途 Main Feature and Use

- 刀闸具有体积小、流阻小、重量轻、易安装、易拆卸等特点，刀型闸阀关闭时，密封面可以只依靠介质压力来密封，即依靠介质压力将闸板的密封面压向另一侧的阀座来保证密封面的密封，这就是自密封。大部分刀型闸阀是采用强制密封的，即阀门关闭时，要依靠外力强行将闸板压向阀座，以保证密封面的密封性。阀门在管道中一般应当水平安装。驱动方式有手动、电动、气动、液动等驱动方式，主要适用于采矿、净化装置、造纸、电站除灰等行业。
- Knife-shaped gate valve has the features of small volume, small flow resistance, light weight, easy to install, easy to disassemble and so on. When it closes, the seal surface could only depend on the medium pressure to seal, which depends on the medium pressure that makes the seal surface of the wedge disc press towards valve seat on the other side to ensure the seal of the seal surface, called self-sealing. Most knife-shaped gate valves adopt compulsory seal, namely when the valve closes, it needs the external force to compulsorily push the wedge disc towards the valve seat to ensure the seal of the seal surface. Normally, the valve in the pipe should be installed horizontally. The driving models include the manual driving, electric driving, pneumatic driving, liquid driving and so on, which are mainly applicable to the mining, equipment cleaning, paper making, dust removing in the electric generators and other industries.

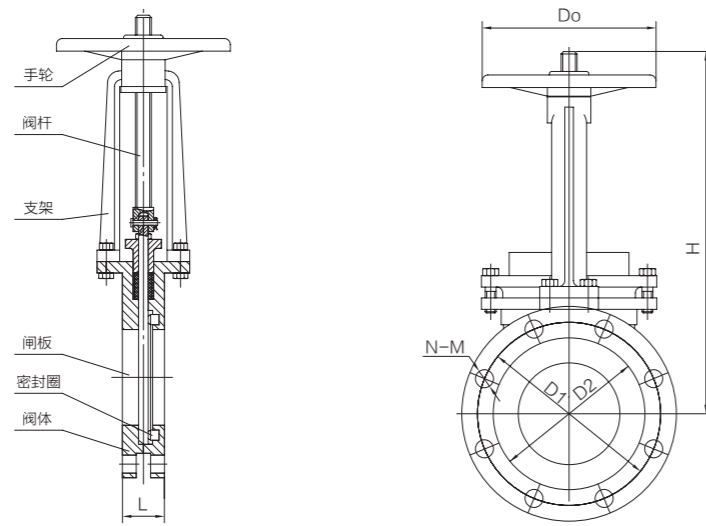
产品标准 Products standard

设计与制造 Design and manufacture	结构长度 Face-to-face dimension	法兰连接尺寸 Flange dimension	试验与检验 Test and inspection
JB/T 8691	GB/T 12221	GB/T 9113	GB/T 13927

主要零部件材料及适用范围 Main parts material and application range

阀体 Body	闸板、阀座 Disc	密封圈 Seal	阀杆 Stem	支架 Yoke	手轮 Handwheel	适用温度 Suitable temperature	适用介质 Suitable medium
铸钢、不锈钢 cast steel, stainless steel	不锈钢 stainless steel	不锈钢、硬质合金 cast steel, stainless steel	不锈钢 stainless steel	铸钢、不锈钢 cast steel, stainless steel	铸钢 cast steel	≤ 100℃	纸浆、污水、煤浆等 Pulp, sullage, Coal slurry

刀型闸阀 Knife type valves



■ Z73/673/573/973H/W-10C/P/R 主要外形与连接尺寸 Main figuration and Connecting Size

DN	L	D1	D2	N-M	H	D0
50	48	125	102	4-M16	285	180
65	48	145	122	8-M16	298	180
80	50	160	138	8-M16	315	220
100	50	180	158	8-M16	365	220
150	57	270	212	8-M20	475	280
200	70	295	268	8-M20	540	360
250	70	350	320	12-M20	630	360
300	76	400	370	12-M20	780	400
350	76	460	430	16-M20	885	400
400	89	515	482	16-M24	990	400
450	89	565	532	20-M24	1100	530
500	114	620	585	20-M24	1200	530
600	114	725	685	20-M27	1450	600

■ Z73/673/573/973/H/W-16C/P/R 主要外形与连接尺寸 Main figuration and Connecting Size

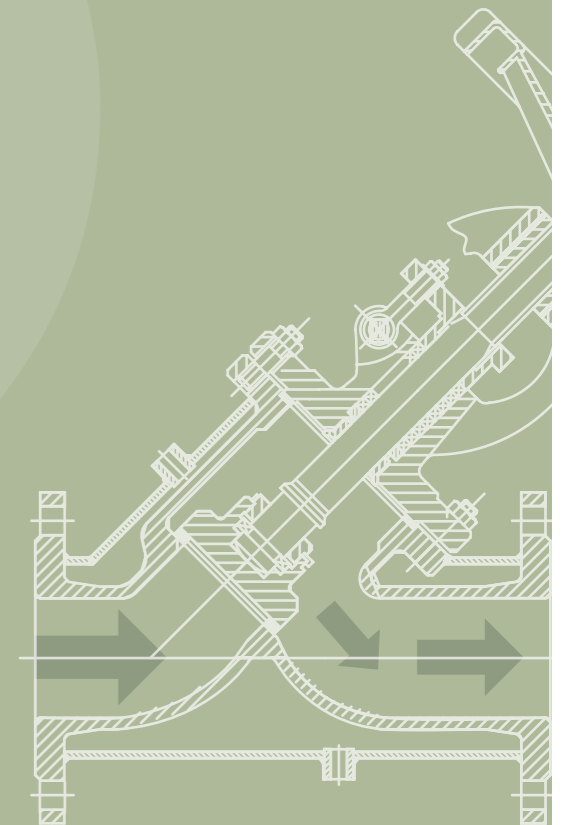
DN	L	D1	D2	N-M	H	D0
50	48	125	102	4-M16	285	180
65	48	145	122	8-M16	298	180
80	50	160	138	8-M16	315	220
100	50	180	158	8-M16	365	220
150	57	240	212	8-M20	475	280
200	70	295	268	12-M20	540	360
250	70	355	320	12-M24	630	360
300	76	410	378	12-M24	780	400
350	76	470	438	16-M24	885	400
400	89	525	490	16-M27	990	400
450	89	585	550	20-M27	1100	530
500	114	650	610	20-M30	1200	530
600	114	770	725	20-M33	1450	600

产品特点 Products Features:

1. 截止阀结构比闸阀简单，制造与维修都较方便。
2. 密封面不易磨损及擦伤，密封性好，启闭时阀瓣与阀体密封面之间无相对滑动，因而磨损与擦伤均不严重，密封性能好，使用寿命长。
3. 启闭时，阀瓣行程小，因而截止阀高度比闸阀小，但结构长度比闸阀长。
4. 启闭力矩大、启闭较费力，启闭时间较长。
5. 流体阻力大，因阀体内介质通道较复杂，流体阻力大，动力消耗大。
6. 介质流动方向公称压力 $PN \leq 16\text{MPa}$ 时，一般采用顺流，介质从阀瓣下方向上流；公称压力 $PN \geq 20\text{MPa}$ 时，一般采用逆流，介质从阀瓣上方向下流，以增加密封性能。使用时，截止阀介质只能单方向流动，不能改变流动方向。
7. 截止阀的阀杆轴线与阀座密封面垂直。阀杆开启或关闭行程相对较短，并具有非常可靠的切断动作，使得这种阀门适合于介质的切断或节流。

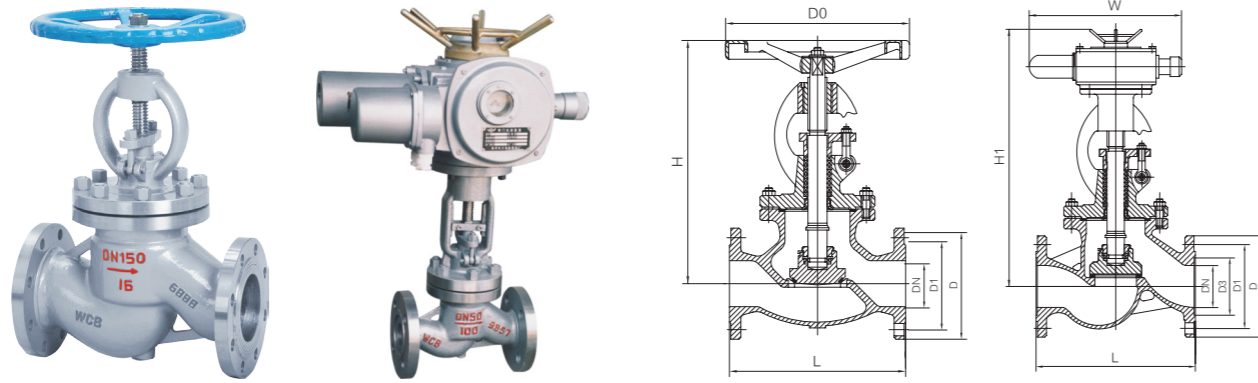
截止阀系列 Globe valve Services

1. The structure of stop valve is simpler than that of gate valve, and both its manufacturing and maintenance are relatively convenient.
2. The seal surface is not easy to wear and gall and has sound sealing performance. When being opened and closed, there is no relative slip between the valve flap and the seal surface of the valve, thus both the wear and gall are not severe and it has sound sealing performance and long service life.
3. When being opened and closed, the travel distance of the valve flap is small, thus the stop valve height is smaller than that of gate valve while the structural length is longer than that of gate valve.
4. When being opened and closed, the force torsion is large and it is laborious to open and close, and the time of opening and closing is relatively long.
5. The fluid resistance is big because the medium channel in the valve is relatively tortuous. The fluid resistance and the power consumption are big.
6. When the nominal pressure of the medium flow direction $PN \leq 16\text{MPa}$, downstream flowing is usually adopted and the medium flows upward from downward direction of the valve flap; When the nominal pressure $PN \geq 20\text{MPa}$, upstream flowing is usually adopted, and the medium flows downward from the upper direction of the valve flap. When being used, the stop valve medium could only flow in a single direction and the flow direction could not be changed.
7. The stop valve stem axis of the valve is perpendicular to the seal surface of valve seat. The opening or closing travel distance of the valve stem is relatively short and also it has the very reliable turning off action which enables this kind of value to be suitable for turning off the medium or functioning as adjustment and throttling.



截止阀 Globe valve

J(9)41^H_Y - ¹⁶/₂₅ C.P.R.I.
40
63



主要特点与用途 Main Feature and Use

- 产品结构合理、密封可靠、性能优良、造型美观。
- 密封面堆焊 Co 基硬质合金、耐磨、耐蚀、抗擦伤性能好，使用寿命长。
- 阀杆经调质处理及表面氮化处理，具有良好的抗腐蚀性及抗擦伤性。
- 零部件材质及法兰、对焊端尺寸可根据实际工况或用户要求合理选配，满足各种工程需要
- 主要适用于石油、化工、制药、化肥、电力行业等各种工业工况的管路上，切断或接通管路介质。
- This series of products features a reasonable structure, reliable seal, outstanding performance and pleasant appearance.
- The valves have surfacing Co-based hard alloy on the sealing surface, featuring good resistance to wear, corrosion and scratches, as well as a long service life.
- As valve rods of the valves have undergone tempered and nitrided, they have sound resistance to corrosion and scratches.
- Materials of parts, flanges and size of butt-welded ends can be properly configured based on actual working conditions or users' requirements to meet various engineering needs.
- The valves are mainly used in pipelines under various industrial working conditions in petroleum, chemical engineering, pharmaceutical, chemical fertilizer and electric power industries for cutting off or carrying on media in the pipelines.

产品标准 Products standard

设计标准 Digen standard	结构长度 Face-to-face dimension	法兰连接尺寸 Flange dimension	压力试验 Test inspection
GB/T 12235	GB/T 12221	GB/T 9113;JB/T 79	GB/T 13927

主要零部件材料及适用范围 Main parts material and application range

产品类型 type	零件名称 Parts							适用温度 Suitable temperature	适用介质 Suitable medinn
	阀体阀盖 Body	阀杆 Shaft	阀瓣 Disc	密封面 Sealing	阀杆螺母 Yoke nut	填料 Packing	紧固件 Fastening		
J41H/Y-C J941H/Y-C	25; WCB	铬不锈钢 Cr Stainless steel	25; 2Cr13	H: 不锈钢 Y: 钴基硬质合金 Stainless steel	铝青铜 Al bronze	柔性石墨 Gentle graphite	优质碳钢 High quality carbon steel	≤ 425℃	水、蒸汽、油品 Water,Steam,Oil
J41W-P J941W-P	铬镍钢 Cr,Ni steel			不锈钢 Stainless steel			≤ 200℃	硝酸类 Nitric acid kind	
J41W-R J941W-R	铬镍钼钢 Cr,Ni,Mo steel			不锈钢 Stainless steel			≤ 200℃		
J41Y-I J941Y-I	铬钼钢 Cr,Mo steel	铬钼钢 Cr,Mo steel	合金钢 Alloy steel	钴基硬质合金 carbide alloy			合金钢 Alloy steel	≤ 550℃	水、蒸汽、油品 Water,Steam,Oil

截止阀 Globe valve

PN16/PN25 主要外形与连接尺寸 Main figuration and Connecting Size

DN	外形尺寸 Outline Size					法兰连接尺寸 Flange dimension					
	L	J41		J941		PN16			PN25		
		H	D0	H1	W	D	D1	Z-φd	D	D1	Z-φd
15	130	218	120			95	65	4-14	95	65	4-14
20	150	260	140			105	75	4-14	105	75	4-14
25	160	275	160			115	85	4-14	115	85	4-14
32	180	282	180			135	100	4-18	135	100	4-18
40	200	332	200			150	110	4-18	150	110	4-18
50	230	350	240	642	960	165	125	4-18	165	125	4-18
65	290	405	280	695	960	185	145	8-18	185	145	8-18
80	310	460	280	712	960	200	160	8-18	200	160	8-18
100	350	412	320	772	960	220	180	8-18	235	190	8-22
125	400	462	360	785	960	250	210	8-18	270	220	8-26
150	480	510	400	812	960	285	240	8-22	300	250	8-26
200	600	715	400	965	1325	340	295	12-22	360	310	12-26
250	650	789	450	1138	1325	405	355	12-26	425	370	12-30
300	750	925	500	1285	1370	460	410	12-26	485	430	16-30

PN40/PN63 主要外形与连接尺寸 Main figuration and Connecting Size

DN	外形尺寸 Outline Size				连接尺寸 Flange dimension									
	J41		J941		PN40					PN63				
	H	D0	H1	W	L	D	D1	D3	Z-φd	L	D	D1	D3	Z-φd
15	218	140			130	95	65	40	4-14	170	105	75	40	4-14
20	235	160			150	105	75	51	4-14	190	130	90	51	4-18
25	278	180			160	115	85	58	4-14	210	140	100	58	4-18
32	288	200			180	140	100	66	4-18	230	155	110	66	4-22
40	360	240			200	150	110	76	4-18	260	170	125	76	4-22
50	410	280	710	960	230	165	125	88	4-18	300	180	135	88	4-22
65	450	320	752	960	290	185	145	110	8-18	340	205	160	110	8-22
80	485	360	785	960	310	200	160	121	8-18	380	215	170	121	8-22
100	535	400	835	960	350	235	190	150	8-22	430	250	200	150	8-26
125	630	400	1030	1325	400	270	220	176	8-26	500	295	240	176	8-30
150	650	450	1065	1370	480	300	250	204	8-26	556	345	280	204	8-33
200	810	500	1215	1370	600	375	320	260	12-30	650	415	345	260	12-36

保温截止阀 Thermal Insulation Stop Valve

BJ4^{1Y}_{5W}-16~63P.R



BJ41 型 Type BJ41



BJ45 型 Type BJ45

主要特点与用途 Main Feature and Use

- 保温截止阀，广泛用于石油、化工、冶金、制药等各类系统中，输送常温下会凝固的高粘度介质。阀门的侧面、底部设置有保温夹套的两个连接口。连接方式：法兰、焊接、螺纹、承插焊、卡套、卡箍。驱动方式：手动、蜗轮、电动、气动、液动等。
- Thermal insulation stop valves are mainly used in petroleum, chemical engineering, metallurgical and pharmaceutical systems for transmission of highly viscous media that will solidify under normal temperature. while the valve has two interfaces provided on the side or at the bottom for connection of the jacket. Ways of connection: by flange, welding, screw, socket weld, jacket, or clamp. Driving modes: manual, worm gear, electric, pneumatic, hydraulic driving etc.

产品标准 Products standard

设计标准 Digen standard	结构长度 Face-to-face dimension	法兰连接尺寸 lange dimension	压力试验 Test inspection
GB/T 12235	GB/T 12221	GB/T 9113;JB/T 79	GB/T 13927

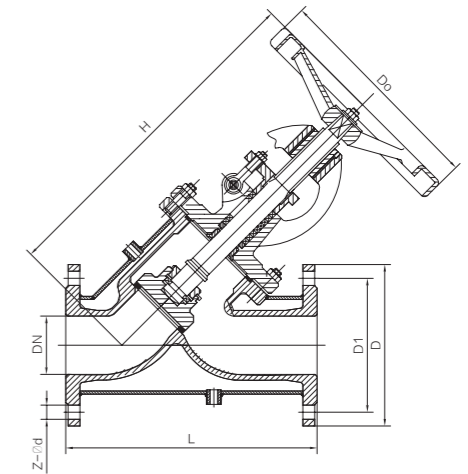
主要零部件材料及适用范围 Main parts material and application range

零件名称 Parts	阀体、阀盖 Body,Bonnet	阀瓣、阀杆 Disc,Shaft	密封面 Sealing	夹套 Jacket	适用温度 Suitable temperature	适用介质 Suitable medimn
BJ41W/Y-16~63P BJ45W/Y-25/40P	CF8	304	W 为阀体本质 Y 堆焊硬质合金 W body YCarbide alloy	304	≤ 350℃	硝酸类、醋酸类、尿素等 HNO ₃ etc HAC etc
BJ41W/Y-16~63R BJ45W/Y-25/40R	CF8M	316	W 为阀体本质 Y 堆焊硬质合金 W body YCarbide alloy	304		

保温截止阀 Thermal Insulation Stop Valve



BJ45 型 Type BJ45



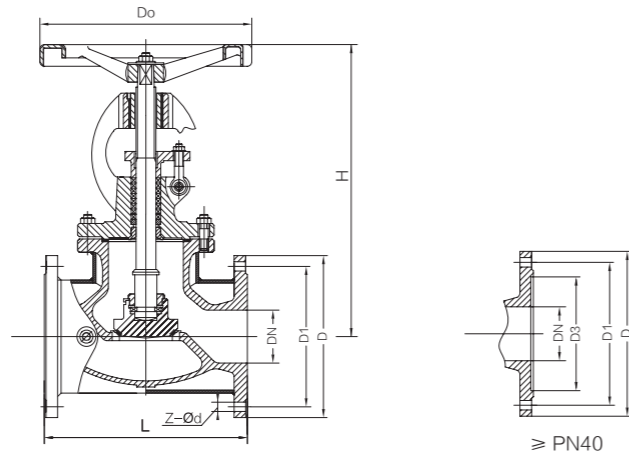
主要外形与连接尺寸 Main figuration and Connecting Size

PN	DN	L	D	D1	Z-φd	H	D0	D0
PN25	15	170	95	65	4-14	260	120	120
	20	190	105	75	4-14	310	140	140
	25	210	115	85	4-14	375	160	160
	32	230	135	100	4-18	375	160	160
	40	260	150	110	4-18	385	160	160
	50	300	165	125	4-18	450	240	240
	65	340	185	145	8-18	485	240	240
	80	380	200	160	8-18	600	280	280
	100	430	220	180	8-18	625	320	320
	125	485	250	210	8-18	735	360	360
PN40	15	170	95	65	4-14	260	120	120
	20	190	105	75	4-14	310	140	140
	25	210	115	85	4-14	375	160	160
	32	230	135	100	4-18	375	160	160
	40	260	150	110	4-18	385	160	160
	50	300	165	125	4-18	450	240	240
	65	340	185	145	8-18	485	240	240
	80	380	200	160	8-18	600	280	280
	100	430	235	190	8-22	625	320	320
	125	485	270	220	8-26	735	360	360
150	550	300	250	8-26	790	360	360	

保温截止阀 Thermal Insulation Stop Valve



BJ41 型 Type J41



PN16/PN25 主要外形与连接尺寸 Main figuration and Connecting Size

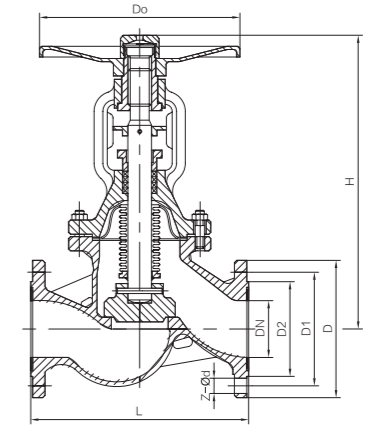
DN	外形尺寸 Outline Size			法兰连接尺寸 Flange dimension					
				PN16			PN25		
	L	H	D0	D	D1	Z-φd	D	D1	Z-φd
15	130	170	120	95	65	4-14	95	65	4-14
20	150	190	140	105	75	4-14	105	75	4-14
25	160	205	160	115	85	4-14	115	85	4-14
32	180	270	180	135	100	4-18	135	100	4-18
40	200	310	200	150	110	4-18	150	110	4-18
50	230	358	240	165	125	4-18	165	125	4-18
65	290	373	280	185	145	8-18	185	145	8-18
80	310	435	320	200	160	8-18	200	160	8-18
100	350	500	360	220	180	8-18	235	190	8-22
125	400	614	400	250	210	8-18	270	220	8-26
150	480	674	400	285	240	8-22	300	250	8-26
200	600	718	450	340	295	12-22	360	310	12-26

PN40/PN63 主要外形与连接尺寸 Main figuration and Connecting Size

DN	外形与连接尺寸 figuration and Connecting Size													
	PN40							PN63						
	L	D	D1	D3	Z-φd	H	D0	L	D	D1	D3	Z-φd	H	D0
15	130	95	65	40	4-14	233	120	170	105	75	40	4-14	240	140
20	150	105	75	51	4-14	275	140	190	130	90	51	4-18	280	180
25	160	115	85	58	4-14	285	180	210	140	100	58	4-18	290	200
32	180	140	100	66	4-18	302	200	230	155	110	66	4-22	325	200
40	200	150	110	76	4-18	355	250	260	170	125	76	4-22	360	250
50	230	165	125	88	4-18	370	250	300	180	135	88	4-22	410	300
65	290	185	145	110	8-18	408	300	340	205	160	110	8-22	430	350
80	310	200	160	121	8-18	436	350	380	215	170	121	8-22	465	400
100	350	235	190	150	8-22	475	400	430	250	200	150	8-26	537	450
125	400	270	220	176	8-26	558	450	500	295	240	176	8-30	630	450
150	480	300	250	204	8-26	720	450	556	345	280	204	8-33	790	500
200	600	375	320	260	12-30	800	500	650	415	345	260	12-36	910	500

波纹管截止阀 Bellows Sealed Stop Valve

H 16
WJ41 -25 C.P.R.
W 40



主要特点与用途 Main Feature and Use

- 产品结构合理、密封可靠、性能优良、造型美观；
- 密封面堆焊 Co 硬质合金、耐磨、耐腐、抗摩擦性能好、使用寿命长；
- 阀杆调质及表面氮化处理，具有良好的抗腐蚀和抗摩擦性能；
- 双重密封，性能更可靠；
- 阀杆升降位置指示更直观；
- 零件材质，法兰和对焊尺寸可根据实际工况或用户要求合理选配，满足各种工程需要。
- 适用于石油、化工、制药、电力、化肥等行业的各种工况管路上，用于切断或接通管路介质。
- This series of products features a reasonable structure, reliable seal, outstanding performance and pleasant appearance.
- The valves have surfacing Co-based hard alloy on the sealing surface, featuring good resistance to wear, corrosion and scratches, as well as a long service life.
- As valve rods of the valves have undergone tempered and nitrided, they have sound resistance to corrosion and scratches.
- Double seals and more reliable performance.
- More intuitive indication of the valve rod lifting position.
- Materials of parts, flanges and size of butt-welded ends can be properly configured based on actual working conditions or users' requirements to meet various engineering needs.
- They can be used in pipelines under various industrial working conditions in petroleum, chemical engineering, pharmaceutical, electric power and chemical fertilizer industries for cutting off or carrying on the media in the pipelines.

产品标准 Products standard

设计与制造 Digen and manufacture	结构长度 Face-to-face dimension	法兰连接尺寸 Flange dimension	试验与检验 Test and inspection
GB/T 12235、GB/T 12224 DIN3356	GB/T 12221 DIN3202	GB/T 9113 DIN2543-2545	GB/T 13927 DIN3230

主要零部件材料及适用范围 Main parts material and application range

型号 Model	阀体 Body	阀盖 Bonnet	阀杆 Shaft	阀瓣 Disc	填料 Packing	波纹管组件 Bellows Sealed	适用温度 Suitable temperature	适用介质 Suitable medinn
WJ41H-16/25/40C	WCB	WCB	2Cr13	2Cr13	柔性石墨、 PTFE Gentle graphite	304	≤ 425℃	水、蒸汽油品等 Water, Steam, Oil
WJ41HW-16/25/40P	CF8	CF8	304	304		304	≤ 200℃	硝酸类 HNO ₃ etc
WJ41HW-16/25/40R	CF8M	CF8M	316	316		316	≤ 200℃	醋酸类 HAC etc

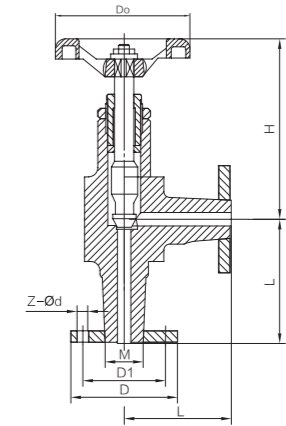
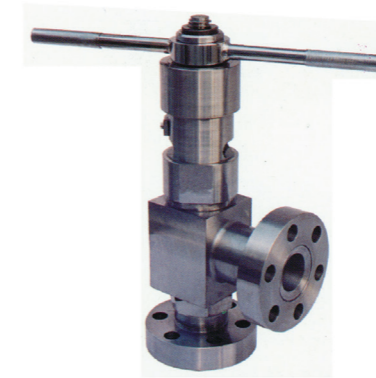
波纹管截止阀 Bellows Sealed Stop Valve

■ 主要外形与连接尺寸 Main figuration and Connecting Size

PN	DN	L	D	D1	D2	Z-φd	H	D0
PN16	15	130	95	65	45	4-14	191	120
	20	150	105	75	58	4-14	191	140
	25	160	115	85	68	4-14	197	140
	32	180	140	100	78	4-18	200	160
	40	200	150	110	88	4-18	218	200
	50	230	165	125	102	4-18	220	200
	65	290	185	145	122	8-18	238	240
	80	310	200	160	138	8-18	257	240
	100	350	220	180	158	8-18	340	320
	125	400	250	210	188	8-18	360	360
PN25	15	130	95	65	45	4-14	191	120
	20	150	105	75	58	4-14	191	140
	25	160	115	85	68	4-14	197	140
	32	180	140	100	78	4-18	200	160
	40	200	150	110	88	4-18	218	200
	50	230	165	125	102	4-18	220	200
	65	290	185	145	122	8-18	238	240
	80	310	200	160	138	8-18	257	240
	100	350	235	190	162	8-22	340	320
	125	400	270	220	188	8-26	360	360
PN40	15	130	95	65	45	4-14	191	140
	20	150	105	75	58	4-14	191	140
	25	160	115	85	68	4-14	197	140
	32	180	140	100	78	4-18	200	160
	40	200	150	110	88	4-18	218	200
	50	230	165	125	102	4-18	220	200
	65	290	185	145	122	8-18	238	240
	80	310	200	160	138	8-18	257	320
	100	350	220	180	158	8-18	340	320
	125	400	250	210	188	8-18	360	360
150	480	285	240	212	8-22	390	500	

角式截止阀 Angle globe Stop valve

160
H 220
J44 - C.P.R.
Y 250
320



■ 主要特点与用途 Main Feature and Use

- 角式截止阀是一种常用的截断阀，主要用于接通或截断管路中的介质，出口为90度直角状，广泛适用于各种高压场合。它的原理构造是通过阀瓣沿流体的中心线作直线运动，以阀瓣作为角式截止阀的启闭件，启闭件形状为塞形，密封面呈平面或锥面。具有结构简单，工作行程小、密封性好、使用寿命长等特点。
- Angle stop valve is a common cut-off valve with a right-angle (90°) outlet which is mainly used to connect or cut off the medium in pipelines. Currently, it is widely applied in all kinds of high-pressure applications. It moves in a straight line by the valve clack along the center line of fluid. The plug-type valve clack is used as valve disc and the sealing surface is generally plane or conical. Typically, angle stop valve is characterized by simple structure, short operating stroke, good tightness and long service life.

■ 产品标准 Products standard

设计与制造 Design and manufacture	法兰连接尺寸 Flange dimension	试验与检验 Test and inspection
JB/T 450	JB/T 450	JB/T 450

■ 主要零部件材料及适用范围 Main parts material and application range

零件名称 Parts	材料 Material		
阀体、阀盖 Body, Bonnet	WCB	CF8、CF3	CF8M、CF3M
阀瓣 Disc	2Cr13	304、304L	316、316L
阀杆 Shaft	2Cr13	304、304L	316、316L
阀杆螺母 Yoke nut	铝青铜 Al bronze		
手轮 hand wheel	灰铸铁、可锻铸铁 Gray cast iron, Forgable cast-iron		
适用温度 Suitable temperature	≤ 200℃		
适用介质 Suitable medinm	水、油品、蒸汽等 Water, Steam, Oil	氮氢混合物 Hydrogen nitrogen mixture	碱液、液氨 Alkali, ammonia

■ 主要外形及连接尺寸 Main figuration and Connecting Size

DN	外形尺寸 Outline Size			法兰连接尺寸 Flange dimension							
				PN160/PN220				PN250/PN320			
	L	D0	H	D	D1	M	Z-φd	D	D1	M	Z-φd
3	80	110	76					70	42	M14x1.5	3-16
6	80	150	95					70	42	M14x1.5	3-16
10	90	250	286					95	60	M24x2	3-18
15	105	250	291	95	60	M24x2	3-18	105	68	M33x2	3-18
25	120	350	356	105	68	M33x2	3-18	115	80	M42x2	4-18
32	135	350	376	115	80	M42x2	4-18	135	95	M48x2	4-22
40	165	450	485	165	115	M52x2	6-26	165	115	M64x2	6-26
50	190	650	574	165	115	M64x2	6-26	200	145	M80x3	6-29
65	215	650	596	200	145	M80x2	6-26	225	170	M100x3	6-33
80	260	850	772	225	170	M100x2	6-33	260	195	M125x4	6-36
100	290			260	195	M125x2	6-36	300	235	M155x4	8-39

针形截止阀 Needle Stop Valve

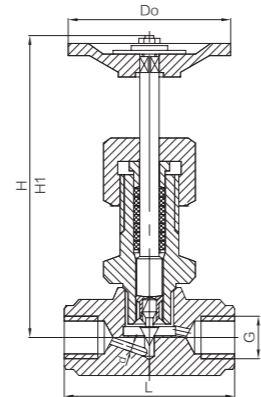
主要特点与用途 Main Feature and Use

- 针形截止阀是作为精确的流量控制用的。阀瓣通常与阀杆做成一体，它有一个与阀座配合、精度非常高的针形头部。而且针形截止阀阀杆螺纹的螺距比一般普通截止阀的阀杆螺纹螺距要细。在通常情况下，针形截止阀阀座孔的尺寸比管道尺寸小。
- Needle valves are used for precise flow control. For a needle valve, the valve flap is commonly integrated with the valve rod; besides, it has a valve seat and a highly precise needle-shaped head. Meanwhile, the screw pitch of a needle valve rod is generally finer than that of common stop valves. Normally, the size of needle valve seat holes is smaller than that of pipes.

J13W-16~320C(P.R)



针型阀 J13 型 Needle type J13



产品标准 Products standard

设计与制造 Digen and manufacture	结构长度 Face-to-face dimension	连接端 End connection	试验与检验 Test and inspection
GB/T 12224 JB/T 7747	GB/T 15188.3	JB/T 1751	GB/T 13927

主要零部件材料及适用范围 Main parts material and application range

零件名称 Parts	J13W-16C/40/100/160	J13W-100/160/320P	J13W-100/160/320R
阀体、阀盖 Body, Bonnet	碳钢 Carben steel	铬镍钛不锈钢 Cr.Ni.Ti.Stainless steel	铬镍钼钛不锈钢 Cr.Ni.Ti.Stainless steel
阀瓣、阀杆 Disc, Shaft	铬不锈钢 Cr.Stainles steel	铬镍钛不锈钢 Cr.Ni.Ti.Stainless steel	铬镍钼钛不锈钢 Cr.Ni.Ti.Stainless steel
填料 Packing	聚四氟乙烯、柔性石墨 PTFE; gentle graphite		
适用温度 Suitable temperature	≤ 425℃	≤ 300℃	≤ 200℃
适用介质 Suitable medinm	水、蒸汽、油 Water, Steam, Oil	弱腐蚀性介质 Weak Corrosive media	腐蚀性介质 Corrosive media

主要外形及连接尺寸 Main figuration and Connecting Size

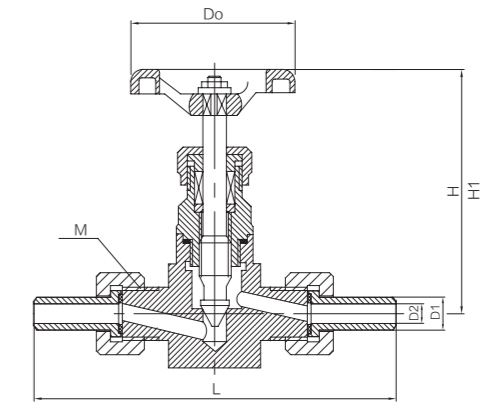
DN	G	L	d	D0	H	H1
6	1/4"	55	4	60	90	100
10	3/8"	60	5	60	92	102
15	1/2"	65	6	65	97	107
20	3/4"	80	8	80	109	121
25	1"	90	10	90	122	132
32	1 1/4"	128	15	128	180	191
40	1 1/2"	148	18	148	200	215

针形截止阀 Needle Stop Valve

16
1 40
J2 W - 160 C.P.R.
3 320



针型阀 J21/J23 型 Needle type J21/J23



产品标准 Products standard

设计与制造 Digen and manufacture	结构长度 Face-to-face dimension	连接端 End connection	试验与检验 Test and inspection
GB/T 12224 JB/T 7747	GB/T 15188.4	JB/T 1752	GB/T 13927

主要零部件材料及适用范围 Main parts material and application range

型号 Model	阀体 Body	阀盖 Bonnet	填料 Packing	适用温度 Suitable temperature	适用介质 Suitable medinm
1 16 J2 W - 40 P 3	碳钢 Carben steel	铬不锈钢 Cr.Stainless steel	聚四氟乙烯、 柔性石墨 PTFE; gentle graphite	≤ 425℃	液化石油气、水、酸、蒸汽、 油品等 Liquefied petroleum gas, Water, Acid, Steam, Oil
1 160 J2 W - 320 P 3	铬镍钛不锈钢 Cr.Ni.Ti.Stainless steel	铬镍钛不锈钢 Cr.Ni.Ti.Stainless steel		≤ 300℃	
1 160 J2 W - 320 R 3	铬镍钼钛不锈钢 Cr.Ni.Ti.Stainless steel	铬镍钼钛不锈钢 Cr.Ni.Ti.Stainless steel		≤ 200℃	

主要外形及连接尺寸 Main figuration and Connecting Size

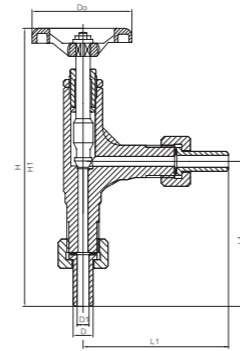
DN	M	L	D1	D2	H	H1
6	20x1.5	140	14	6	96	106
10	24x1.5	160	18	10	115	125
15	30x2	180	22	15	122	132
20	36x2	220	28	18	156	166
25	39x2	230	33	22	169	180

针形截止阀 Needle Stop Valve

160
J24W- P
320



针型阀 J24 型 Needle J24



产品标准 Products standard

设计与制造 Design and manufacture	结构长度 Face-to-face dimension	连接端 End connection	试验与检验 Test and inspection
GB/T 12224 JB/T 7747	GB/T 15188.1 GB/T 15188.3	JB/T 1752	GB/T 13927

主要外形及连接尺寸 Main figuration and Connecting Size

型号 model	DN	L1	D	D1	D0	H	H1
J24W-160P-DN3	3	80	14	3	65	159	168
J24W-320-DN6	6	80	14	6	65	159	168

主要零部件材料及适用范围 Main parts material and application range

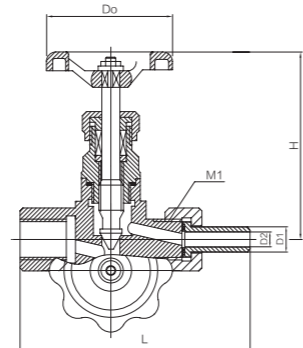
型号 Model	阀体 Body	阀盖 Bonnet	填料 Packing	适用温度 Suitable temperature	适用介质 Suitable medium
J24W-160P-DN3	铬镍不锈钢 Cr.Ni.Stainless steel	不锈钢 stainless steel	聚四氟乙烯、 柔性石墨 PTFE; gentle graphite	≤ 200℃	液化石油气、水、油品 Liquefied petroleum gas, Water, Oil
J24W-320-DN6	优质碳钢 High quality carbon steel	铬镍不锈钢 Cr.Ni.Stainless steel		≤ 425℃	

针形截止阀

H
J19- 320P
W



针型阀 J19 型 Needle J19



产品标准 Products standard

设计与制造 Design and manufacture	结构长度 Face-to-face dimension	连接端 End connection	试验与检验 Test and inspection
GB/T 12224 JB/T 7747	GB/T 15188.3	JB/T 1751	GB/T 13927

主要外形及连接尺寸 Main figuration and Connecting Size

型号 model	DN	L1	D1	D2	D0	H	H1	M1
J19H-320	6	100	5	14	65	100	110	M20X1.5 左
J19W-320P	15	85	-	-	65	100	110	M20X1.5

主要零部件材料及适用范围 Main parts material and application range

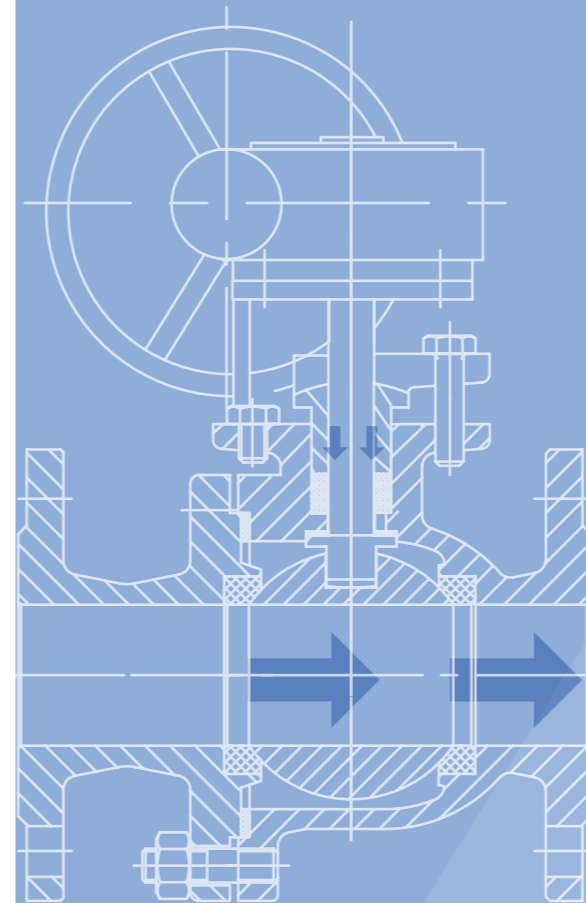
零件名称 Parts	壳体 Shell	阀杆 Shaft	阀底座 Seat ring	填料 Packing	填料压盖 Bonnet Packing	适用温度 Suitable temperature	适用介质 Suitable medium
J19H-320-DN6	优质碳钢 High quality carbon steel	铬镍不锈钢 Cr.Ni.Stainless steel		聚四氟乙烯、 柔性石墨 PTFE; gentle graphite	碳钢 Carbon steel	≤ 425℃	液化石油气、酸、水、油品 Liquefied petroleum gas, Water, Acid, Steam, Oil
J19W-320P-DN15	铬镍不锈钢 Cr.Ni.Stainless steel	铬镍不锈钢 Cr.Ni.Stainless steel	铬钼不锈钢 Cr.Al.Stainless steel		不锈钢 stainless steel	≤ 200℃	

产品特点 Products Features:

球阀主要用于截断或接通介质，也可用于流体的调节与控制，V型球阀能够进行比较精确的流量调节与控制，而三通球阀则用于分配介质和改变介质的流向。

与其它阀类相比，球阀具有如下的一些优点：

1. 流体阻力小，球阀是所有阀类中流体阻力最小的一种，即使是缩径球阀，其流体阻力也相当小。
2. 开关迅速、方便，只要阀杆旋转 90 度，球阀就完成了全开或全关动作，很容易实现快速启闭。
3. 密封性能好。浮动球阀密封圈一般采用聚四氟乙烯等弹性材料制造，而固定球阀一般采用弹性浮动阀座结构。
4. 可设计成具有防火、防静电的结构。
5. 全焊接阀体的球阀，可以直接埋于地下，使球阀的内件不受侵蚀，是石油，天然气输送管线最理想的阀门。



球阀系列 Ball Valve Services

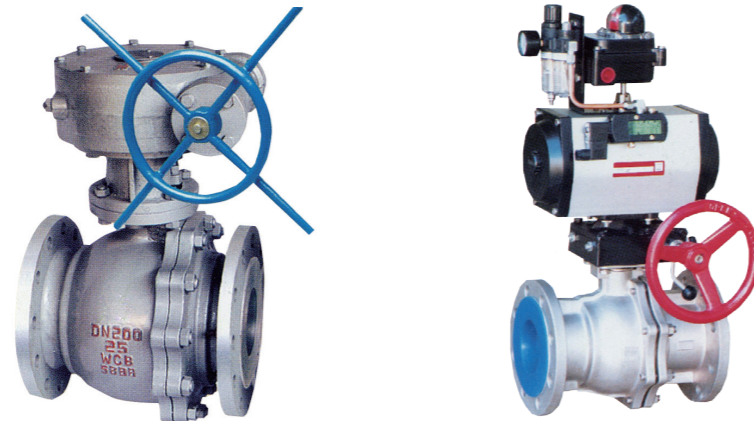
Ball valve is mainly used to disconnect or connect the medium and can also be used to adjust and control the fluid. V type ball valve can carry out the relatively precise adjustment and control of flow volume, while three-way ball valve is used to dispatch the medium and change the flow direction of the medium.

Compared with other types of valves, ball valve has the following advantages:

1. The fluid resistance is small, and ball valve is the one which has the smallest fluid resistance among all types of valves. Even the fluid resistance of the necking ball valve is quite small.
2. The process of opening and closing is fast and convenient. As long as the valve stem rotates 90 degrees, the ball valve completes the total opening or closing action, which is easy to realize the fast opening and closing.
3. Good tightness. The structure design of elastic materials, such as polytetrafluoroethylene, has been adopted for floating ball valve sealing ring. However, the structure design of the elastic float valve seat has been adopted for the trunnion mounted ball valve.
4. It can be designed to have the sealing functions, such as fire-proof and anti-static-electricity.
5. Full welding of the ball valve body can be directly buried in the ground, so that in case the valve from erosion and it is the ideal valve for oil and natural gas pipeline.

浮动式球阀 Floating Ball Valve

F 16
3 P 25
Q641 - C.P.R.
9 H 40
Y 63



主要特点及用途 Main Feature and Use

- 球阀的主要特点是本身结构紧凑，密封可靠，结构简单，维修方便，密封面与球面常在闭合状态，不易被介质冲蚀，易于操作和维修，适用于水、溶剂、酸和天然气等一般工作介质，而且还适用于工作条件恶劣的介质，如氧气、过氧化氢、甲烷和乙烯等，在各行各业得到广泛的应用。
- Ball valve features simple and compact structure, high sealing reliability and easy operation and maintenance. In addition, the sealing surface and ball surface are normally closed, thus protecting the valve from being eroded by the medium. Ball valve is applicable to not only ordinary working media, such as water, solvents, acids and natural gas, but the media under poor working conditions, such as oxygen, hydrogen peroxide, methane and ethylene. Therefore, it is widely applied in many fields.

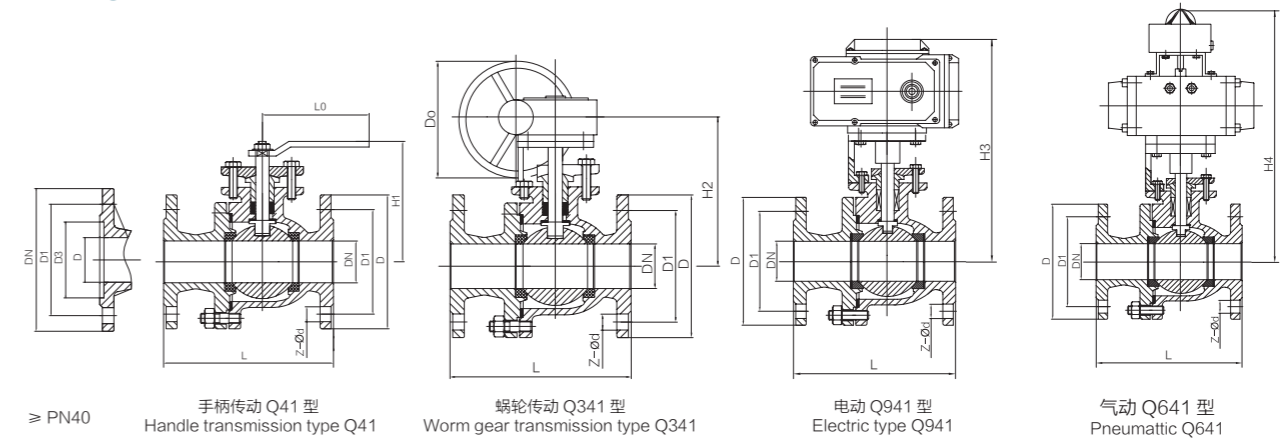
产品标准 Products standard

设计与制造 Design and manufacture	结构长度 Face-to-face dimension	法兰连接尺寸 Flange dimension	压力试验 Pressure test
GB/T 12237 GB/T 12224	GB/T 12221 JB/T 1686	GB/T 9113 JB/T 79.1 HG/T 20592 SH/T 3406	GB/T 13927

主要零部件材料及适用范围 Main parts material and application range

名称 Name	材料 Material		
阀体 Body	WCB	1Cr18Ni9Ti	1Cr18Ni12Mo2Ti
球体 Ball	2Cr13	1Cr18Ni9Ti	1Cr18Ni12Mo2Ti
阀杆 Shaft	2Cr13	1Cr18Ni9Ti	1Cr18Ni12Mo2Ti
阀座 Seat	聚四氟乙烯 (PTFE); 对位聚苯 (PPL); 304; 304+STL		
填料 Packing	聚四氟乙烯 (PTFE); 柔性石墨; 碳纤维 Gentle graphite, Carbon fiber		
适用介质 Suitable medium	水、蒸汽、油品等 Water, Steam, Oil	弱腐蚀性介质 Weak Corrosive media	腐蚀性介质 Corrosive media
适用温度 Suitable temperature	PTFE ≤ 200°C; PPL ≤ 300°C; 304/304+STL ≤ 600°C		

浮动式球阀 Floating Ball Valve



PN16/PN25 主要外形与连接尺寸 Main figuration and Connecting Size

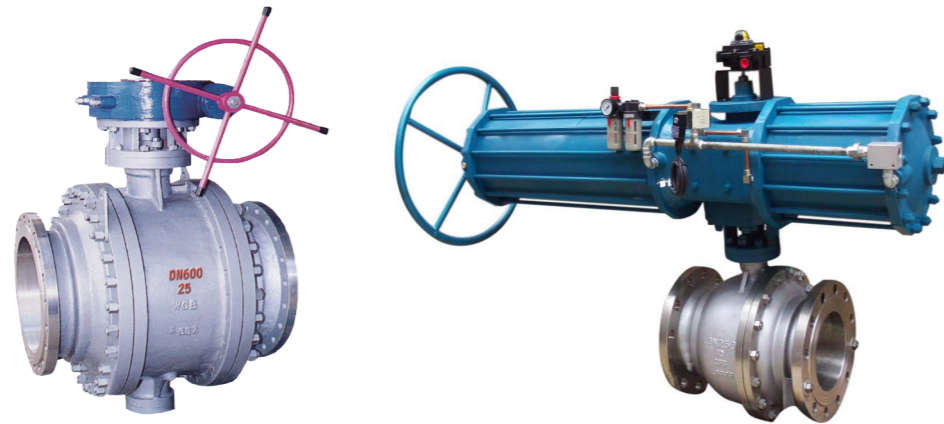
DN	L	法兰连接尺寸 Flange dimension						外形尺寸 Outline Size					
		PN16			PN25			手柄 Handle		蜗轮 Worm gear		电动 Electric	气动 Pneumatic
		D	D1	Z-φd	D	D1	Z-φd	H1	L0	H2	D0	H3	H4
15	130	95	65	4-14	95	65	4-14	60	108				
20	140	105	75	4-14	105	75	4-14	64	120				
25	150	115	85	4-14	115	85	4-14	90	165			206	346
32	165	140	100	4-18	140	100	4-18	105	180			210	350
40	180	150	110	4-18	150	110	4-18	150	240	340	160	218	3921
50	200	165	125	4-18	165	125	4-18	190	240	350	160	226	396
65	220	185	145	8-18	185	145	8-18	195	320	358	160	235	460
80	250	200	160	8-18	200	160	8-18	215	350	460	250	250	480
100	280	220	180	8-18	235	190	8-22	250	400	490	250	272	550
125	320	250	210	8-18	270	220	8-26	280	500	540	400	284	570
150	360	285	240	8-22	300	250	8-26	320	600	580	400	305	620
200	400	340	295	12-22	360	310	12-26	370	800	600	400	335	665
250	550	405	355	12-26	425	370	12-30	440	880	620	500	355	702

PN40/PN63 主要外形与连接尺寸 Main figuration and Connecting Size

DN	D3	法兰连接尺寸 Flange dimension								外形尺寸 Outline Size					
		PN40				PN63				手柄 Handle		蜗轮 Worm gear		电动 Electric	气动 Pneumatic
		L	D	D1	Z-φd	L	D	D1	Z-φd	H1	L0	H2	D0	H3	H4
15	40	130	95	65	4-14	165	105	75	4-14	60	108				
20	51	140	105	75	4-14	190	130	90	4-18	64	120				
25	58	150	115	85	4-14	216	140	100	4-18	90	165			206	346
32	66	165	140	100	4-18	229	155	110	4-22	105	180			210	350
40	76	180	150	110	4-18	241	170	125	4-22	150	240	340	160	218	3921
50	88	200	165	125	4-18	292	180	135	4-22	190	240	350	160	226	396
65	110	220	185	145	8-18	330	205	160	8-22	195	320	358	160	235	460
80	121	250	200	160	8-18	356	215	170	8-22	215	350	460	250	250	480
100	150	280	235	190	8-22	432	250	200	8-26	250	400	490	250	272	550
125	176	320	270	220	8-26	508	295	240	8-30	280	500	540	400	284	570
150	204	360	300	250	8-26	559	345	280	8-33	320	600	580	400	305	620
200	260	400	375	295	12-30	660	415	345	12-36	370	900	600	400	335	665

钢制固定球阀 Fixed Steel Ball Valve

3 F 16
P 25
Q647 H 40 C.P.R.
9 Y 63



主要特点及用途 Main Feature and Use

- 固定球阀适用于长输管线和一般工业管线，其强度、安全性、耐恶劣环境性等在设计时进行了特殊考虑，适用于各种腐蚀性和非腐蚀性介质。此阀一般水平安装。球阀可以设计成防静电、耐火、自动泄压、注脂、限位锁定等结构以满足客户使用要求。
- Fixed ball valve is applicable to long-distance pipelines and common industrial pipelines. With special design in respect of strength, safety and resistance to severe environment, it can be used in all kinds of corrosive media and non-corrosive media. In general, fixed ball valve is installed horizontally. To meet the specific requirements of customers, the ball valve can be specially designed with anti-static structure, fire-proof structure, self-relieving structure, injection mechanism and locking block.

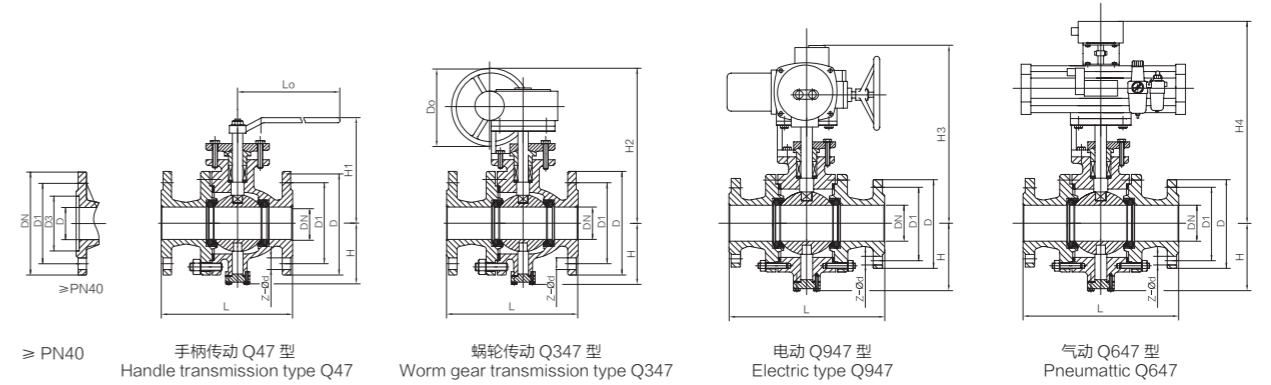
产品标准 Products standard

设计与制造 Design and manufacture	结构长度 Face-to-face dimension	法兰连接尺寸 Flange dimension	压力试验 Pressure test
GB/T 12237、 GB/T 12224、GB/T 7745	GB/T 12221 JB/T 1686	GB/T 9113 JB/T 79.1 HG/T 20592 SH/T 3406	GB/T 13927

主要零部件材料及适用范围 Main parts material and application range

名称 Name	材料 Material		
阀体 Body	WCB	1Cr18Ni9Ti	1Cr18Ni12Mo2Ti
球体 Ball	2Cr13	1Cr18Ni9Ti	1Cr18Ni12Mo2Ti
阀杆 Shaft	2Cr13	1Cr18Ni9Ti	1Cr18Ni12Mo2Ti
阀座 Seat	聚四氟乙烯 (PTFE); 对位聚苯 (PPL); 304; 304+STL		
填料 Packing	聚四氟乙烯 (PTFE); 柔性石墨; 碳纤维 Gentle graphite, Carbon fiber		
材料代号 Material code	C	P	R
适用介质 Suitable medium	水、蒸汽、油品等 Water, Steam, Oil	弱腐蚀性介质 Weak Corrosive media	腐蚀性介质 Corrosive media
适用温度 Suitable temperature	PTFE ≤ 200℃; PPL ≤ 300℃; 304/304+STL ≤ 600℃;		

钢制固定球阀 Fixed Steel Ball Valve



PN16/PN25 主要外形与连接尺寸 Main figuration and Connecting Size

DN	法兰连接尺寸 Flange dimension								外形尺寸 Outline Size						
	PN10				PN16				H	手柄 Handle		蜗轮 Worm gear		电动 Electric	气动 Pneumatic
	L	D	D1	Z-φd	L	D	D1	Z-φd		H1	L0	H2	D0	H3	H4
50	216	165	125	4-18	216	165	125	4-18	102	106	230	186	160	460	275
65	241	185	145	8-18	241	185	145	8-18	114	125	400	210	160	475	379
80	283	200	160	8-18	283	200	160	8-18	127	152	400	280	250	480	389
100	305	220	180	8-18	305	235	190	8-22	152	178	650	306	250	490	480
125	356	250	210	8-18	381	270	220	8-26	184	300	1050	500	400	530	552
150	394	285	240	8-22	403	300	250	8-26	219	330	1050	530	400	550	666
200	457	340	295	12-22	502	360	310	12-26	273	398	1200	596	400	600	736
250	533	405	355	12-26	568	425	370	12-30	360			760	600	652	926
300	610	460	410	12-26	648	485	430	16-30	395			880	600	760	1060
350	686	520	470	16-26	762	555	490	16-33	430			970	700	770	1127
400	762	580	525	16-30	838	620	550	16-36	470			1050	700	830	1205
500	914	715	650	20-33	991	730	660	20-36	580			1190	700	940	1250
600	1067	840	770	20-36	1143	845	770	20-39	700			1450	800	1020	1295
700	1245	910	840	24-36	1346	960	875	24-42	800			1550	800	1115	1390
800	1372	1025	950	24-39	1524	1085	990	24-48	930			1660	800	1220	1470

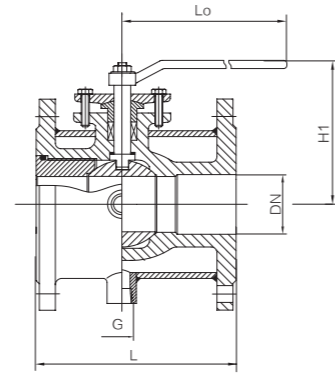
PN40/PN63 主要外形与连接尺寸 Main figuration and Connecting Size

DN	L	PN40					PN63					H	手柄 Handle		蜗轮 Worm gear		电动 Electric	气动 Pneumatic
		D	D1	D3	Z-φd	D	D1	D3	Z-φd	H1	L0		H2	D0	H3	H4		
50	216	165	125	88	4-18	180	135	88	4-22	102	106	230	186	160	460	275		
65	241	185	145	110	8-18	205	160	110	8-22	114	125	400	210	160	475	379		
80	283	200	160	121	8-18	215	170	121	8-22	127	152	400	280	250	480	389		
100	305	235	190	150	8-22	250	200	150	8-26	152	178	650	306	250	490	480		
125	381	270	220	176	8-26					184	300	1050	500	400	630	552		
150	403	300	250	204	8-26	345	280	204	8-33	219	330	1050	530	400	760	666		
200	502	375	320	260	12-30	415	310	260	12-36	273	398	1200	696	600	820	895		
250	568	450	385	313	12-33	470	345	313	12-36	360			760	600	870	1002		
300	648	515	450	364	16-33	530	370	364	16-36	395			880	600	905	1060		
350	762	580	510	422	16-36	600	400	422	16-39	430			1090	800	940	1150		
400	838	660	585	474	16-39	670	460	474	16-42	470			1210	800	1010	1205		
500	991	755	670	576	20-42					580			1320	800	1115	1250		
600	1143	890	795	676	20-48					700			1450	800	1180	1295		

夹套保温球阀

Jacket-type Thermal Insulation Ball Valve

3₄ F 10
BQ6₁ H-16C.P.R.
9₇ Y 25



主要特点及用途 Main Feature and Use

- 阀门夹套中可以流通蒸汽或其它保温介质，具有良好的保温特性。
- 阀门适用于易结晶，高粘性液体介质及其它各种需要保温的流动介质，即能防止管路中粘稠介质凝固，又可以有效降低管路中介质热量的损失。
- 阀门是全通路球阀，流阻小。
- 由于增加了夹套，该阀门连接法兰比相同通径的阀门大二到三个规格，安装时应注意。
- 图示为手动夹套球阀，驱动方式还有蜗轮、电动、气动等。
- In a valve jacket, steam or other thermal insulating media can be circulated to render sound thermal or cold insulating performance.
- The valves are applicable to highly viscous liquid media that are liable to solidification and other fluid media requiring thermal insulation; they can prevent solidification of viscous media in pipes and may effectively reduce heat loss of media in pipelines.
- The valves feature full-bore design and small flow resistance.
- It shall be noted that due to addition of a jacket, connecting flanges for the valves are two or three sizes larger than those for other valves of the same size.
- The figure shows a manual jacket-type ball valve. Still worm gear, electric, pneumatic driving modes are available.

产品标准 Products standard

设计与制造 Digen and manufacture	结构长度 Face-to-face dimension	法兰连接尺寸 Flange dimension	内螺纹连接尺寸 Inside screw dimension	压力试验 Suitable temperature
GB/T 12237 GB/T 12224	GB/T 12221	GB/T 9113; JB/T 79.1; HG/T 20592; SH/T 3406	GB/T 7307	GB/T 13927

主要零部件材料及适用范围 Main parts material and application range

名称 Name	材料 Material		
阀体 Body	WCB	1Cr18Ni9Ti	1Cr18Ni12Mo2Ti
球体 Ball	2Cr13	1Cr18Ni9Ti	1Cr18Ni12Mo2Ti
阀杆 Shaft	2Cr13	1Cr18Ni9Ti	1Cr18Ni12Mo2Ti
阀座 Seat	聚四氟乙烯 (PTFE); 对位聚苯 (PPL)		
填料 Packing	聚四氟乙烯 (PTFE); 柔性石墨; 碳纤维 Gentle graphite, Carbon fiber		
适用介质 Suitable medinm	水、蒸汽、油品等 Water, Steam, Oil	弱腐蚀性介质 Weak Corrosive media	腐蚀性介质 Corrosive media
适用温度 Suitable temperature	PTFE ≤ 200°C; PPL ≤ 300°C		

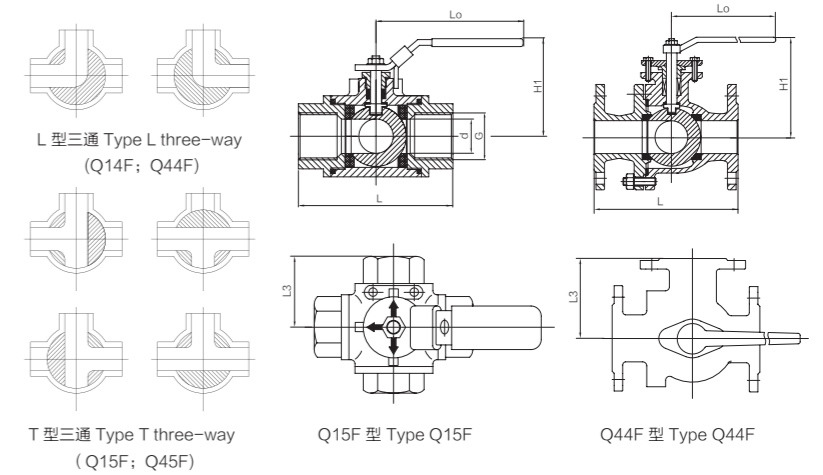
主要外形与连接尺寸 Main figuration and Connecting Size

DN	20	25	40	50	80	100	150	200
法兰连接 Pipe thread	DN40	DN50	DN65	DN80	DN150	DN200	DN250	DN300
L	117	127	165	178	229	254	292	330
G	G3/4	G3/4	G3/4	G3/4	G3/4	G3/4	G3/4	G3/4
H1	101	106	125	135	193	265	355	410
L0	170	170	250	250	400	650	1050	1300

三通球阀

Three-way Ball Valve

14 16
Q H- 25C.P.R.
45 40



主要特点及用途 Main Feature and Use

- 阀门结构紧凑，是用于介质分配的首选三通阀。
- L型三通阀可实现对介质流向进行切换的两种工况；T型三通可实现对介质的分流，混流及切换等工况。
- 图示为手动三通球阀，驱动方式还有蜗轮、电动、气动等。
- The valves have a compact structure and are preferred three-way valves for medium distribution.
- L-shaped three-way valves can be used in two working conditions to realize switch of medium flow direction; T-shaped three-way valves can be used in four working conditions to realize medium splitting, flow combination and switch.
- The figure shows a manual three-way ball valve. Still worm gear, electric, pneumatic driving modes are available.

产品标准 Products standard

设计与制造 Digen and manufacture	GB/T 12237 GB/T 12224
结构长度 Face-to-face dimension	GB/T 12221
法兰连接尺寸 Flange dimension	GB/T 9113 HG/T 20592
压力试验 Suitable temperature	GB/T 13927
内螺纹连接尺寸 Inside screw dimension	GB/T 7307

主要零部件材料及适用范围 Main parts material and application range

材料代号 code	C	P	R
零件名称 Parts			
阀体 Body	WCB	1Cr18Ni9Ti	1Cr18Ni12Mo2Ti
球体、阀杆 Ball Shaft	2Cr13	1Cr18Ni9Ti	1Cr18Ni12Mo2Ti
阀座 Seat	聚四氟乙烯 (PTFE); 对位聚苯 (PPL)		
填料 Packing	聚四氟乙烯 (PTFE); 柔性石墨 Gentle graphite; 碳纤维		
适用介质 Suitable medinm	水、蒸汽、油品等 ater, Steam, Oil	弱腐蚀性介质 Weak Corrosive media	腐蚀性介质 Corrosive media
适用温度 Suitable temperature	PTFE ≤ 150°C; PPL ≤ 300°C		

Q14F/Q15F 主要外形与连接尺寸 Main figuration and Connecting Size

DN	15	20	25	32	40	50
管螺纹 Pipe thread	G 1/2	G 3/4	G 1	G 1 1/4	G 1 1/2	G 2
L	64/75	76/85	87/100	96/115	114/125	142/148
L3	32/38	38/43	44/50	48/58	57/63	71/74
d	13	16	20	25	32	38
H1	53/59	63/65	66/80	81/90	83/96	96/106
L0	126	126	145	145	205	205

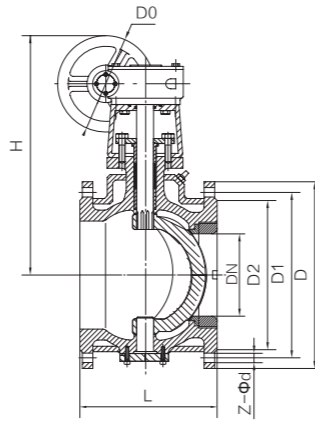
Q44F/Q45F 主要外形与连接尺寸 Main figuration and Connecting Size

DN	15	20	25	32	40	50	65	80	100	150	200
L	140	165	165	230	250	260	320	320	370	510	580
L3	70	83	83	115	125	130	160	160	185	255	290
H1	64	84	84	125	152	157	183	183	185	355	430
L0	130	180	180	280	280	400	400	800	800	1050	1200

V型调节球阀

V-shaped Regulating Ball Valve

3 F 16
VQ647 Y- C.P.R
9 H 25



主要特点及用途 Main Feature and Use

- 阀门球体具有V型切口,与调节型驱动装置配套使用,可广泛用于石油、化工、造纸、冶金及水处理等行业,对管道内介质流量进行调节。阀门流量特性为近似等百分比,可对流量精确调节,调节范围大,最大可调比为100:1。
- 球体V型切口与金属阀座配合具有剪切作用,特别适用于控制高粘度,含纤维,固体颗粒及浆料等介质。
- 采用碟簧加载,带补偿功能的浮动式金属阀座,密封性能可靠,球体与阀座不会产生卡阻或脱离,使用寿命长。
- This series of valves have a V-shaped cut on their spherical bodies and are used in combination with regulating driving devices. They can be widely used in petroleum, chemical engineering, paper-making, metallurgical and water treatment industries for regulation of medium flow in pipes.
- The valves have flow characteristics approximate to a percentage, and can be used for precise regulation of flow in a wide range; the maximum regulation scale can be 100:1.

产品标准 Products standard

设计与制造 Design and manufacture	GB/T 12237 GB/T 12224
结构长度 Face-to-face dimension	GB/T 12221
法兰连接尺寸 Flange dimension	GB/T 9113 HG/T 20592
压力试验 Test and inspection	GB/T 13927

主要零部件材料及适用范围 Main parts material and application range

材料代号 code	C	P	R
零件名称 Parts			
阀体 Body	WCB	1Cr18Ni9Ti	1Cr18Ni12Mo2Ti
球体、阀杆 Ball Shaft	2Cr13	1Cr18Ni9Ti	1Cr18Ni12Mo2Ti
阀座 Seat	A105 渗氮	1Cr18Ni9Ti 渗氮	1Cr18Ni12Mo2Ti 渗氮
填料 Packing	石墨 Graphite		
适用介质 Suitable medium	水、油品等 Water, Oil	弱腐蚀性介质 Weak Corrosive media	腐蚀性介质 Corrosive media
适用温度 Suitable temperature	≤ 200℃		

Q14F/Q15F 主要外形与连接尺寸 Main figuration and Connecting Size

DN	外形尺寸 Outline Size			法兰连接尺寸 Flange dimension					
				PN16			PN25		
	L	H	A	D	D1	Z-φd	D	D1	Z-φd
50	124	340	405	165	125	4-18	165	125	4-18
65	145	379	405	185	145	8-18	185	145	8-18
80	165	452	574	200	160	8-18	200	160	8-18
100	194	479	574	220	180	8-18	235	190	8-22
125	210	646	756	250	210	8-18	270	220	8-26
150	229	666	756	285	240	8-22	300	250	8-26
200	243	814	1060	340	295	12-22	360	310	12-26
250	297	1002	1060	405	355	12-26	425	370	12-30
300	338	1059	1060	460	410	12-26	485	430	16-30
400	520	1205	1360	580	525	16-30	620	550	16-36

钢制内螺纹球阀 (一片式、二片式、三片式)

Steel Ball Valve with Internal Thread (one-chip, two-chip, three-chip)

16
25
Q11F- C.P.R
40
63



主要特点及用途 Main Feature and Use

- 流体阻力小,其阻力系数与同长度的管段相等。
- 结构简单、体积小、重量轻。
- 紧密可靠,目前球阀的密封面材料广泛使用塑料,密封性好,在真空系统中也已广泛使用。
- 操作方便,开闭迅速,从全开到全关只要旋转90°,便于远距离的控制。
- 维修方便,球阀结构简单,密封圈一般都是活动的,拆卸更换都比较方便。
- 在全开或全闭时,球体和阀座的密封面与介质隔离,介质通过时,不会引起阀门密封面的侵蚀。
- 可设置90°开关定位机构,根据需要加锁以防止误操作,驱动方式:手动、电动、气动。
- Small fluid resistance. Its resistance coefficient is equal to that of the pipe of the same length.
- Simple, small and light.
- Tight and reliable. The sealing surface materials of the ball valve are plastics with good tightness; hence, the ball valve can be also widely used in vacuum systems.
- Easily operated and quickly opened/closed. It can be turned from "fully-open" state to "fully-closed" by rotation by 90°, which is beneficial for remote control.
- Easy maintenance. The ball valve is of simple structure and movable seal ring; therefore, it can be easily disassembled and replaced.
- At the "fully-opened" or "fully-closed" state, the sealing surface of the ball and valve seat is separated from the medium. Therefore, the medium passing through the valve will not erode the sealing surface.
- The ball valve can be equipped with a 90° switch positioning mechanism and when necessary, provided with a lock to avoid misoperation. Drive mode: manual drive, dynamic drive and pneumatic drive.

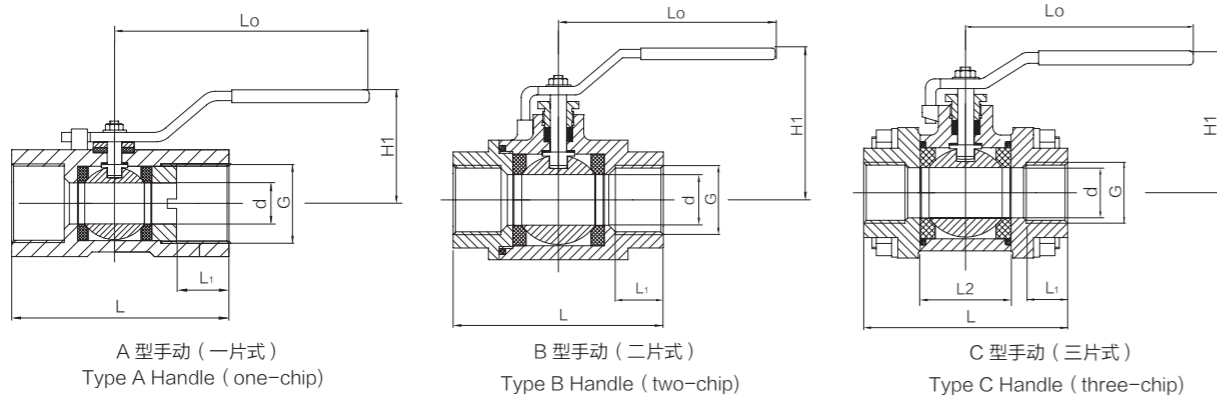
产品标准 Products standard

设计与制造 Design and manufacture	结构长度 Face-to-face dimension	内螺纹连接尺寸	压力试验 Test and inspection
GB/T 12237、GB/T 12224	GB/T 12221	GB/T 7307	GB/T 13927

主要零部件材料及适用范围 Main parts material and application range

名称 Name	材料 Material		
阀体 Body	WCB	1Cr18Ni9Ti	1Cr18Ni12Mo2Ti
球体 Ball	2Cr13	1Cr18Ni9Ti	1Cr18Ni12Mo2Ti
阀杆 Shaft	2Cr13	1Cr18Ni9Ti	1Cr18Ni12Mo2Ti
阀座 Seat	聚四氟乙烯 (PTFE); 对位聚苯 (PPL)		
填料 Packing	聚四氟乙烯 (PTFE); 柔性石墨; 碳纤维 Gentle graphite, Carbon fiber		
适用介质 Suitable medium	水、蒸汽、油品等 Water, Steam, Oil	弱腐蚀性介质 Weak Corrosive media	腐蚀性介质 Corrosive media
适用温度 Suitable temperature	PTFE ≤ 150℃; PPL ≤ 300℃		

钢制内螺纹球阀 (一片式、二片式、三片式) Steel Ball Valve with Internal Thread (one-chip, two-chip, three-chip)



■ A型 Q11F-16~25C P.R 主要外形与连接尺寸 Main figuration and Connecting Size

DN	8	10	15	20	25	32	40	50
G/in	G 1/4	G 3/8	G 1/2	G 3/4	G 1	G1 1/4	G 1 1/2	G 2
L	39	44	57	59	71	78	83	100
L1	10	10	13	13	15	17	17	19
D	5	7	9	13	15	20	25	30
H1	53	35	44	47	55	61	75	82
L0	70	70	90	90	110	110	140	140

■ B型 Q11F-16~40C P.R 主要外形与连接尺寸 Main figuration and Connecting Size

DN	8	10	15	20	25	32	40	50
G/in	G 1/4	G 3/8	G 1/2	G 3/4	G 1	G1 1/4	G 1 1/2	G 2
L	56	56	68	78	86	100	106	130
L1	11	11	14	15	16	19	20	21
D	11	12	13	15	20	25	30	38
H1	55	55	55	67	74	86	92	92
L0	90	90	90	120	120	120	140	200

■ C型 Q11F-16~63C(P·R) 主要外形与连接尺寸 Main figuration and Connecting Size

DN	8	10	15	20	25	32	40	50
G/in	G 1/4	G 3/8	G 1/2	G 3/4	G 1	G1 1/4	G 1 1/2	G 2
L	65	65	72	85	92	110	123	142
L1	11	11	14	15	16	19	20	21
L2	21	21	25	31	36	44	54	69
d	411	12	15	20	25	30	38	50
H1	57	57	68	70	80	84	93	100
L0	90	90	120	120	140	140	200	200

产品概述 Products Overview:

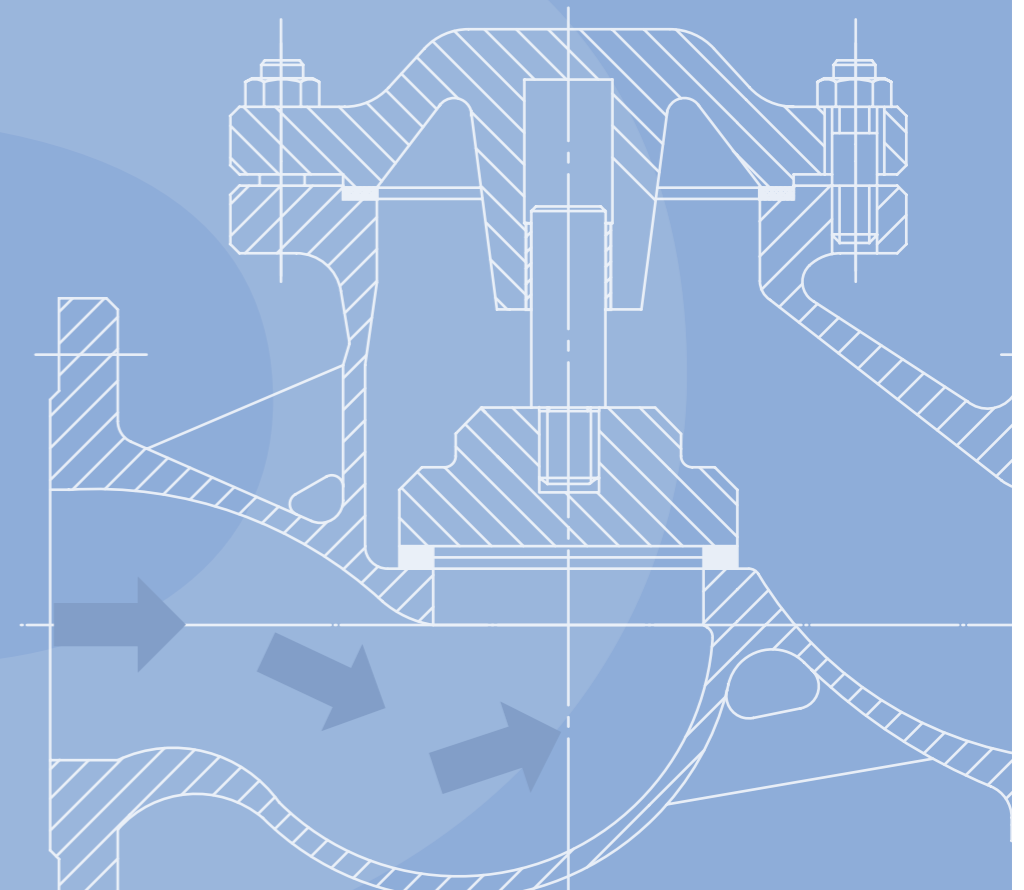
止回阀是指依靠介质本身流动而自动开、闭阀瓣，用来防止介质倒流的阀门，又称逆止阀、单向阀、逆流阀和背压阀。止回阀属于一种自动阀门，其主要作用是防止介质倒流、防止泵及驱动电动机反转，以及容器介质的泄放。止回阀还可用于给其中的压力可能升至超过系统压的辅助系统提供补给的管路上。

The check valve depends on the medium's flowing. It opens automatically and closes the valve flap to prevent media from flowing backwards. It is also called as cut-off valve, one-way valve, reflux valve and back pressure valve. The check valve is a kind of an automatic valve. It is mainly used to prevent media from flowing backwards, the pump and drive motor from inversion, and bleeding from the container. The check valve can also be used for the pipe to help the auxiliary system where the pressure exceeds the system pressure.

止回阀系列 Check valve Services

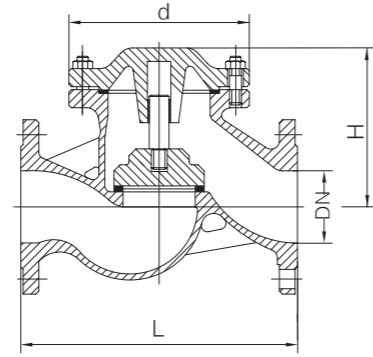
产品特点 Products Features:

1. 结构长度短，体积小、重量轻。
2. 阀瓣关闭快速，水锤压力小
3. 水平管道或垂直管道均可使用，安装方便
4. 流道通畅、流体阻力小
5. 动作灵敏、密封性能好
6. 阀瓣行程短、关闭冲击力小
7. 整体结构简单紧凑、造型美观
8. 使用寿命长、性能可靠



升降式止回阀 Lift type check valve

H41H(Y·N)-16~100C.P.R



主要特点及用途 Main Feature and Use

- 该阀有阀体、阀盖、阀板等组成，安装在水平管道上，利用管路中介质本身流动产生的力而自动开启和关闭，阻止介质倒流。产品广泛应用于石油、化工、制药、电力行业等各种工况的管路上。
- A lift check valve comprises of a body, a cover and a plate. It is installed in a horizontal pipe; it will automatically open and close subject to force generated by the medium flowing inside the pipe to prevent back flow of the medium.

产品标准 Specification

设计与制造标准 Standard	结构长度 Face to Face Dimisension	法兰连接尺寸 Flange Dimensions	压力试验 PS Test pressure & Inspect
GB/T 12235	GB/T 12221	GB/T 9113; JB/T 79	GB/T 13927

主要零部件材料及适用范围 Standard Material Specifications

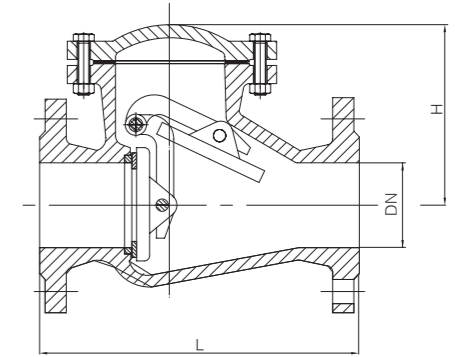
零件名称 Parts	阀体、阀盖、阀瓣 Body、cover、disc	密封面 Seal face	垫片 Gasket
材质 Material	WCB、CF8、CF8M	堆焊合金钢或硬质合金钢、尼龙 Carbide alloy or hornines alloy steel、nylon	柔性石墨+不锈钢 Flexible graphite+Stainless steel
适用温度 Temperature	≤ 300℃		
适用介质 Medium	水、蒸汽、油等 Water、steam、oil etc		

主要外形与连接尺寸 Main figuration and Connecting Size

DN	PN16、PN25、PN40			PN63、PN100		
	L	H	d	L	H	d
15	130	80	82	170	80	84
20	150	100	95	190	100	120
25	160	110	98	210	110	120
32	190	120	120	230	140	145
40	200	140	135	260	155	160
50	230	150	145	300	170	175
65	290	160	175	340	190	195
80	310	170	200	380	205	220
100	350	195	230	430	230	245
125	400	218	270			
150	480	256	330			
200	600	318	405			
250	730	378	480			
300	850	432	550			
350	980	485	615			
400	1100	555	705			

旋启式止回阀 swing check valve

H44H(W·Y)-16~160C.P.R



主要特点及用途 Main Feature and Use

- 旋启式止回阀有阀体、阀盖和旋启式阀瓣组成，阀门用于石油、化工、电力、冶金等行业的泵站和管道，防止介质逆向流动。
- 该产品用于水平布置管线，不适用与立管，阀门关闭时易产生水锤现象，选用时应注意这个问题。
- 阀门采用合金钢或硬质合金钢密封面，耐腐蚀、耐磨损、耐高温。
- A swing check valve comprises of a body, a cover and a swing flap. It is used in pump stations and pipes in petroleum, chemical engineering, electric power and metallurgical industries to prevent reserve flow of media.
- It shall be noted that the product should be used in a horizontally laid pipeline other than a vertical pipe; or otherwise water hammer is likely to occur upon closing of the valve.
- The valve has alloy steel or hard alloy steel sealing surface, which is well-resistant to corrosion, wear and high temperature.

产品标准 Specification

设计与制造标准 Standard	结构长度 Face to Face Dimisension	法兰连接尺寸 Flange Dimensions	压力试验 PS Test pressure & Inspect
GB/T 12236	GB/T 12221	GB/T 9113;JB/T 79	GB/T 13927

主要零部件材料及适用范围 Standard Material Specifications

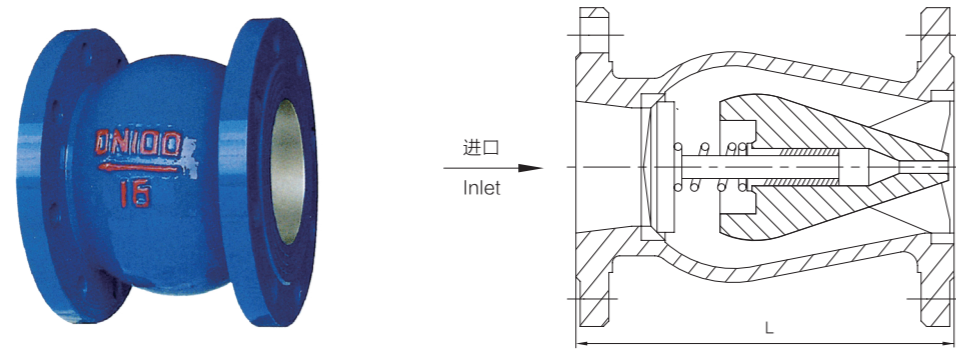
型号 Type	H44H(Y)-16/25/40/63/100/160C	H44H(Y)-16P/25P/40P	H44H(Y)-16R/25R/40R
适用温度 Temperature	≤ 425℃	≤ 150℃	柔性石墨+不锈钢 Flexible graphite+Stainless steel
适用介质 Medium	水、蒸汽、油品等 Water、steam、oil etc	弱腐蚀性介质 Weak causticity medium	腐蚀性介质 Causticity medium
材料 Material			
阀体、阀盖、阀瓣 Body、cover、disc	碳钢 WCB: WCB	不锈钢 Stainless steel: CF8、CF3	不锈钢 Stainless steel: CF8M、CF3M
密封面 Sealing surface	H型: 合金钢 Alloy steel Y型: 硬质合金 Hornines alloy	W型: 本体 body Y型: 硬质合金 Hornines alloy	

主要外形与连接尺寸 Main figuration and Connecting Size

PN DN	PN16		PN25		PN40		PN63		PN100		PN160	
	L	H	L	H	L	H	L	H	L	H	L	H
50	230	160	230	160	230	160	300	176	300	195	300	255
65	290	175	290	175	290	175	340	197	340	213	340	285
80	310	185	310	185	310	185	380	212	380	240	380	324
100	350	220	350	220	350	220	430	248	430	270	430	359
125	400	248	400	248	400	248	500	296	500	315	500	395
150	480	276	480	276	480	276	550	330	550	365	550	433
200	600	350	600	350	600	350	650	385	650	425	650	478
250	730	410	730	410	730	410	775	445	775	486	775	520
300	850	430	850	430	850	430	900	474				
350	980	466	980	466	980	466	1025	505				
400	1100	560	1100	560	1100	560	1150	616				
450	1200	620	1200	620	1200	620	1275	650				
500	1250	710	1250	710	1250	710	1400	735				

轴流式止回阀 Check valve for calm sound

HC42H(T·X)-10~100C.Z.P.R



主要特点及用途 Main Feature and Use

- 该阀由阀体、阀座、导流体、阀瓣、轴瓦及弹簧等零件组成。内部流道采用流线型设计，压力损失小，阀瓣启闭行程短，停泵时可快速关闭，防止巨大的水锤声，形成静音效果。该阀主要用于给水、排水、消防、暖通系统、石化、电力等工业项目，可安装于水泵出口处，防止介质倒流及水锤对设备的损坏。
- An axial flow check valve comprises of a body, a seat, a baffle, a flap, a bearing bush and springs. It features a streamlined internal channel, small pressure loss and short starting and closing travel of the flap; it can close fast upon pump shutdown to keep silent by preventing load water hammer noise. Axial flow check valves are mainly used in such industrial projects as water supply, drainage, fire fighting, heating and ventilation systems, petrochemical projects and electric power projects. It can be installed at the outlet of a water pump to prevent back flow of media and damage of equipment by water hammer.

产品标准 Specification

设计与制造标准 Standard	结构长度 Face to Face Dimension	法兰连接尺寸 Flange Dimensions	压力试验 PS Test pressure & Inspect
GB/T 21387	GB/T 21387	GB/T 9113 ; GB/T 17241.6	GB/T 13927

主要零部件材料及适用范围 Standard Material Specifications

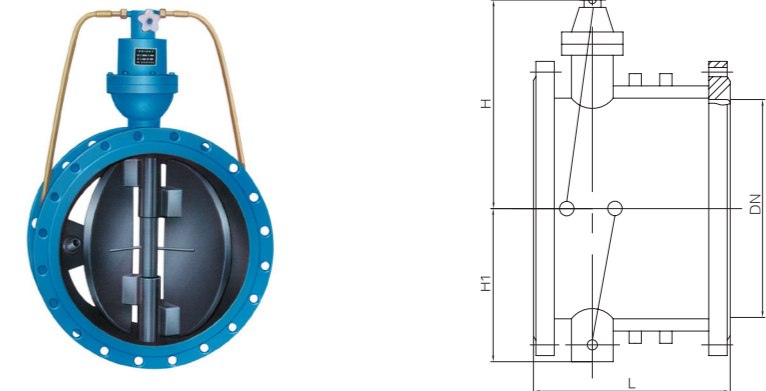
零件名称 Parts	材质 Material	适用温度 Temperature	适用介质 Medium
阀体、导流体 Body, Guidevane	铸铁、碳钢、不锈钢 Cast iron, Cast steel, Stainless steel	X ≤ 80°C; T ≤ 150°C; H ≤ 200°C	蒸汽、水、油品等 Steam, water, oil etc
阀座、轴瓦、阀瓣、轴 Seat, bearing, disc, axis	铸钢、青铜、不锈钢 WCB, bronze, Stainless steel		
弹簧 Sping	不锈钢 Stainless steel		

主要外形与连接尺寸 Main figuration and Connecting Size

DN	50	65	80	100	125	150	200	250	300	350	400	450	200
L	120	150	180	240	300	350	450	500	550	572	600	650	700

微阻缓闭蝶式止回阀 Tiny damping butterfly check valves

HH46(48.49)H(X)-10~25C.Z.R



主要特点及用途 Main Feature and Use

- 该阀由阀体、阀杆、蝶板、油缸及调节阀等组成，使用在清水、污水、海水等介质的排水管道上，既能防止介质的倒流，又能有效地限制破坏性水锤，保证管线的使用安全。它具有结构新颖、体积小、重量轻、流体阻力小、密封可靠、启闭平稳、耐磨损、使用寿命长，缓闭不受介质影响，节能效果好。
- A wee-resistance buffer butterfly swing check valve comprises of a body, a valve rod, a butterfly plate, an oil cylinder and a regulating valve. Wee-resistance buffer butterfly swing check valves can be installed in pipelines for clean water, waste water, sea water and other media to prevent back flow of the media and effectively restrict destructive water hammer, so as to ensure safety of the pipelines. With a novel structure, the valves feature a small size, light weight, small flow resistance, reliable sealing, stable opening and closing, good resistance to wear, a long service life and good energy-saving performance. Besides, slow closure of the valves will not be affected by media.

产品标准 Specification

设计与制造标准 Standard	结构长度 Face to Face Dimension	连接尺寸 Dimensions	试验与检验 Test & Inspect
JB/T 8937	JB/T 8937	GB/T 9113; GB/T 17241.6	JB/T 9092

主要零部件材料及适用范围 Standard Material Specifications

零部件 Material	阀体 Body	阀瓣 Disc	阀杆、油缸、活塞、弹簧 Valve stem, oil cylinde, rpiston, spring	阀座 Seat
材料 Material	铸铁、铸钢、不锈钢 Cast iron, WCB, Stainless steel	碳钢 Grade carbon steel	不锈钢 Stainless steel	丁腈橡胶 NBR
适用温度 Temperature	≤ 80°C			
适用介质 Medium	清水、污水、海水 Water, sewage, Seawater			

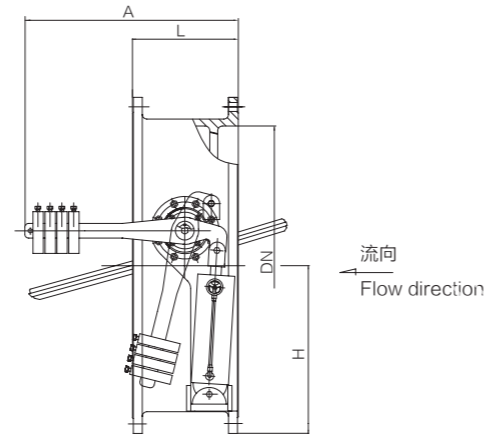
主要外形与连接尺寸 Main figuration and Connecting Size

DN	外形尺寸 Outline Size			DN	外形尺寸 Outline Size		
	L	H	H1		L	H	H1
40	140	200	88	350	290	480	297
50	150	215	98	400	310	550	324
65	170	225	108	450	330	585	351
80	180	235	118	500	350	640	379
100	190	280	130	600	390	720	434
125	200	290	148	700	430	780	491
150	210	310	172	800	470	840	549
200	230	350	210	900	510	990	600
250	250	415	240	1000	550	1050	655
300	270	450	264	1200	630	1210	770

蝶式缓闭止回阀 (管阀)

Slow close butterfly check valves (Automatic Valve)

HH47H(X)-10~25C.Z.P.



主要特点及用途 Main Feature and Use

- HH47H(X) 型蝶式缓闭止回阀，又名：管阀。主要用于工业供排水、污水处理厂的水泵出口处，防止管网中介质逆流。自动消除破坏性水锤，从而保证水泵和管路不受损坏。该阀主要有阀体、阀瓣、缓冲装置和微量调节阀组成。该产品具有结构新颖、体积小、流体阻力小、运行平稳、密封可靠、耐冲刷、耐磨损、缓闭性能好等特点。
- HH47H(X) butterfly buffer check valves are also known as pipe valves. They are mainly used at the outlets of water pumps in industrial water supply/drainage and waste water treatment plants to prevent reverse flow of media in the pipeline networks. They can automatically eliminate destructive water hammer to protect water pumps and pipelines from damage. A pipe valve mainly comprises of a valve body, a flap, a buffering device and a micro-regulating valve. The product features a novel structure, small size, small flow resistance, stable operation, reliable sealing, good resistance to washing and wear, sound buffering performance etc.

产品标准 Specification

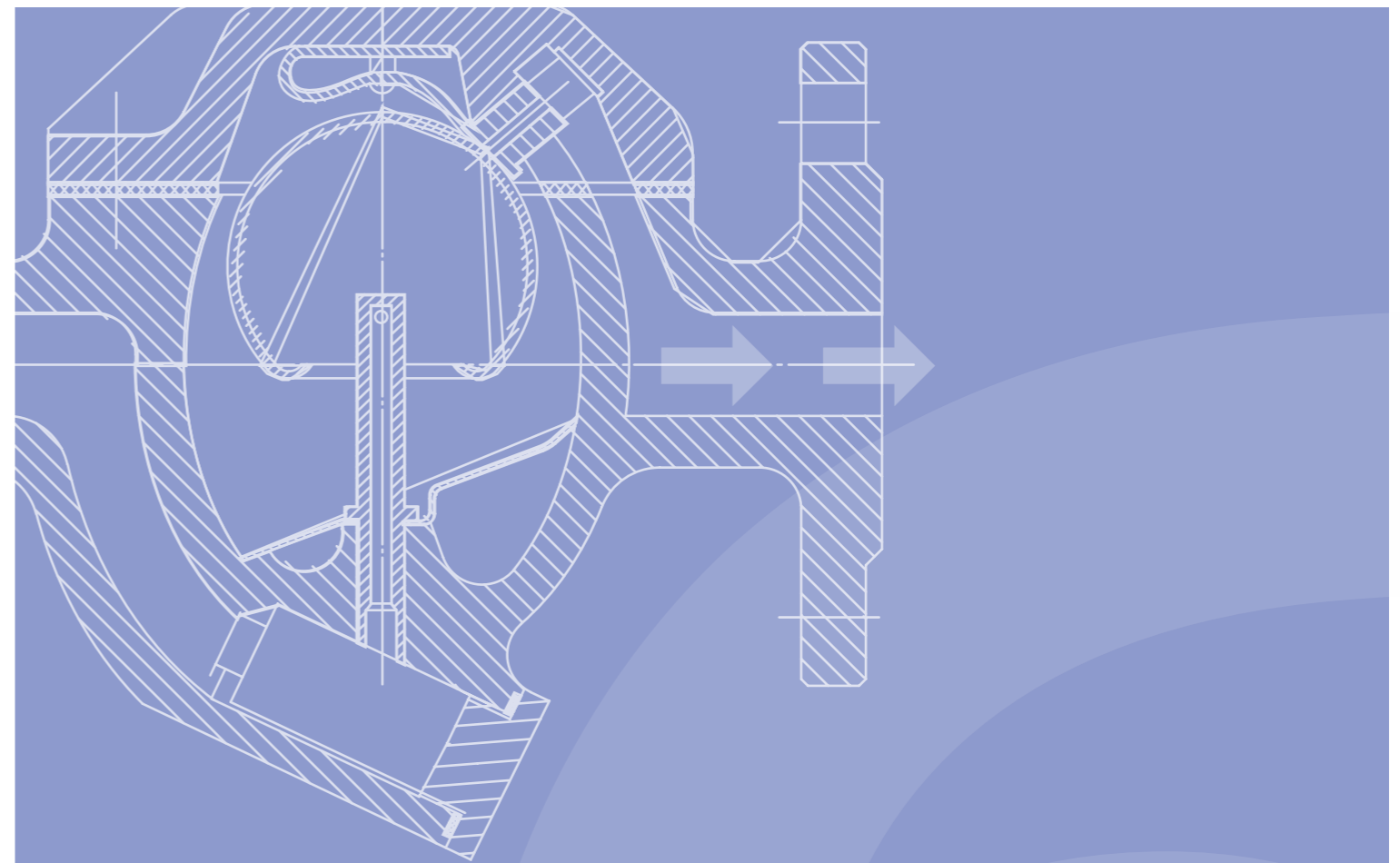
设计与制造标准 Standard	结构长度 Face to Face Dimisension	连接尺寸 Dimensions	压力与检验 PS Test pressure & Inspect
JB/T 5299 JB/T 8937	GB/T 12221	GB/T 9113; GB/T 17241.6	GB/T 13927

主要零部件材料及适用范围 Standard Material Specifications

零件名称 Parts	阀体 Body	蝶板 Disc	密封圈 Seal ring	阀杆 Stem	填料 Packing
材料 Material	铸铁、铸钢、不锈钢 Cast iron, WCB, Stainless steel	铸钢、球铁、不锈钢 WCB, Carbon, Stainless steel	丁腈耐油橡胶、不锈钢 NBR oil resistant rubber, Stainless steel	不锈钢 Stainless steel	聚四氟乙烯、柔性石墨 PTFE, Flexible graphite
适用温度 Temperature	≤ 80℃				
适用介质 Medium	清水、污水、海水 Pure water, Sullage, seawater				

主要外形与连接尺寸 Main figuration and Connecting Size

DN	200	250	300	350	400	450	500	600	700	800	900	1000	1200	1400
L	152	165	178	190	216	222	229	267	292	318	330	410	470	530
H							420	530	610	700	710	810	870	980
A	400	400	450	450	45	600	600	600	765	765	765	1135	1135	1360



疏水阀系列

Evacuee aqua valves Services

产品概述 Products Overview:

疏水阀的基本作用是将蒸汽系统中的凝结水、空气和二氧化碳气体尽快排出；同时最大限度地自动防止蒸汽的泄露。疏水阀的品种很多，各有不同的性能。

疏水阀的功能：使用和利用蒸汽的设备上只需要蒸汽。在这种设备内肯定要产生凝结水，凝结水则成为有害的流体，同时还混入了空气和其他不可凝气体，成为引起设备产生故障和降低性能的原因。

The drain valve is used to release the condensation, air and carbon dioxide as soon as possible in the steam system and automatically to prevent leakage of steam at the same time. There are various kinds of drain valves and they have different functions.

The function of the drain valve: the equipment using steam only needs the steam. The condensation must exist in the equipment and it becomes the harmful fluid. And the reason for the equipment breakdown and performance depreciation is the mixing air and non-condensable gas. Under the circumstances, the drain valve has the following three main functions:

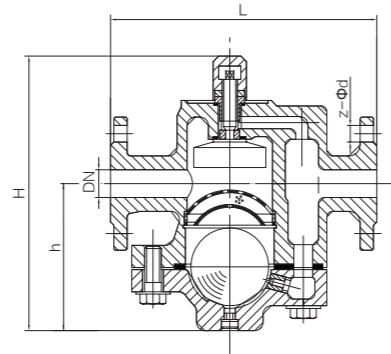
产品特点 Products Features:

1. 能迅速排除产生的凝结水。
 2. 防止蒸汽泄漏。
 3. 排除空气及其他不可凝气体。
1. Discharge the condensation as soon as possible.
 2. Prevent leakage of steam
 3. Release the air and other non-condensable gas.

自由浮球式疏水阀

Free ball float type evacuee aqua valves

CS41H-16~25C.Z.



主要特点及用途 Main Feature and Use

- 根据浮力的原理，使阀体内的浮球随水位变化做升降运动，以达到阀门启闭，即排水阻气的作用。
- 能拓饱和凝结水，回热设备内不含有水先积聚，从而获得最高的加热效率。
- 蒸汽压力变化时，不受影响，能连续工作性能稳定。
- 漏气变化小，采用先进研磨工艺制造，浮球精度高，密封性能好。
- 有自动排气装置，无气锁现象，工作平衡无噪音。
- 寿命长，浮球的整个球面都可以做密封面，无集中磨损。
- Due to buoyant effect, the floating ball inside a valve body will move upwards or downwards along with changes of water level to open or close the valve, in realization of water drainage and steam blocking.
- With saturated condensate removed, equipment without water inside is first gathered to realize the highest heating efficiency.
- It can continue work with stable performance when steam pressure changes.
- Manufactured by using advanced grinding technology, it features small leakage change, high precision of the floating ball and good sealing performance.
- It has an automatic exhaust device, has no airlock and works in a balanced manner with no noise.
- It has a long service life. As the overall sphere of the floating ball can be used as the sealing surface, there will be no concentrated wear.

产品标准 Specification

设计与制造标准 Standard	结构长度 Face to Face Dimisension	连接尺寸 Dimensions	压力与检验 PS Test pressure & Inspect
JB/T 9093	GB/T 12250	GB/T 9113	GB/T 12251

主要零部件材料及适用范围 Standard Material Specifications

阀体 Body	阀盖 Cover	阀座 Seat	过滤器 Filter
铸铁、铸钢 Cast iron、WCB	铸铁、铸钢 Cast iron、WCB	不锈钢 Stainless steel	不锈钢 Stainless steel
适用温度 Temperature	≤ 80℃		
适用介质 Medium	水等 Water etc		

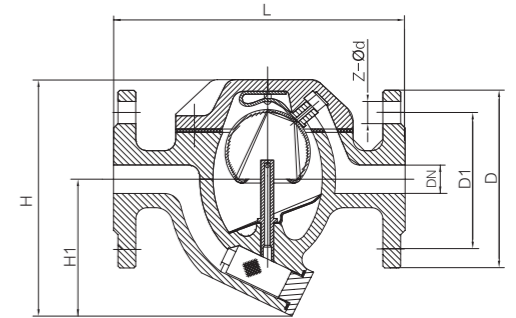
主要外形与连接尺寸 Main figuration and Connecting Size

CS41H-16~25C(Z)(I)				CS41H-16~25C(Z)(II)			
DN	15	20	25	DN	25	40	50
L	230	230	230	D	320	320	320
H	220	220	220	H	295	295	295
h	150	150	150	h	210	210	210
CS41H-16~25C(Z)(III)				CS41H-16~25C(Z)(IV)			
DN	50	65	80	DN	80	100	50
L	430	430	430	D	580	580	430
H	410	410	410	H	540	540	410
h	290	290	290	h	390	390	290

自由半浮球式疏水阀

Free semi ball float type evacuee aqua valves

CS45H-16C



主要特点及用途 Main Feature and Use

- CS45H 自由半浮球式疏水阀未开始工作时，自由半浮球沉落在发射管上，当疏水处于排水状态时，蒸汽经过过滤网和发射管进入阀体，当蒸汽体积增加到一定程度时，浮力使半浮球上浮。在蒸汽压力作用下，半浮球靠向疏水喷嘴将其封闭，阻止了蒸汽外逸。当大量凝结水进入阀体时，半浮球内蒸汽体积减少，此半浮球在自身重力作用下下落，半浮球脱离疏水喷嘴，完成了一个工作循环。这样周而复始运动，起到自动排水阻汽的目的。适用于蒸汽供热设备及蒸汽管路上，能自动排除凝结水，阻止蒸汽泄露，并能自动排除空气。
- When a CS45H free semi-floating ball trap starts to work, the free semi-floating ball will set on the transmitting tube; when the trap is in the drainage state, steam will go through the filter net and the transmitting tube to enter the valve body; when the volume of steam increases to a certain extent, the semi-floating ball will move upwards due to buoyancy. Due to steam pressure, the semi-floating ball will move towards the drainage nozzle to close it, so as to prevent escape of the steam. When a large quantity of condensed water enters into the trap body, the volume of steam in the semi-floating ball will reduce, while the semi-floating ball will fall due to its gravity and move away from the drainage nozzle. Hence a working circle is completed. The working cycle is repeated again and again to realize automatic water drainage and steam blocking.

产品标准 Specification

设计与制造标准 Standard	结构长度 Face to Face Dimisension	法兰连接尺寸 Flange Dimensions	压力与试验 PS Test pressure & Inspect
JB/T 9093	JB/T 2205	GB/T 9113	GB/T 12251

主要零部件材料及适用范围 Standard Material Specifications

零件名称 Parts	阀体 Body	阀盖 Cover	吊桶、杠杆 Spindle	阀瓣、阀座 Valve one、seat
材料 Material	铸钢 WCB	铸钢 WCB	不锈钢 Stainless steel	不锈钢 Stainless steel
漏气率 Leakage rate	≤ 0.5%			
适用温度 Temperature	≤ 200℃			
适用介质 Medium	蒸汽、凝结水 Steam、Condensate			

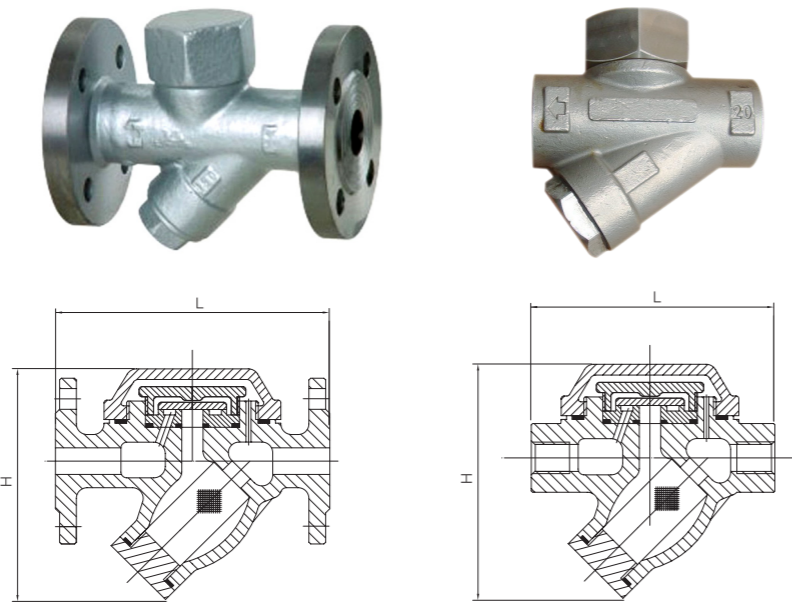
主要外形与连接尺寸 Main figuration and Connecting Size

DN	L	D	D1	Z-φd	H	H1
15	210	95	65	4-14	142	80
20	210	105	75	4-14	142	80
25	230	115	85	4-14	142	80
32	270	140	100	4-18	200	105
40	270	150	110	4-18	200	105
50	270	165	125	4-18	200	105

热动力（圆盘）式疏水阀

Thermal power (disc) type evacuee aqua valves

1 16
CS 9H-25 C
4 40



主要特点及用途 Main Feature and Use

- 带蒸汽或空气保温装置，不受环境温度影响，减少动作频率，延长寿命。
- 备有过滤网和排污阀。
- 热动力式疏水阀动作灵敏可靠、排水量大。
- 本产品适用于蒸汽管路及蒸汽设备上，起到阻止蒸汽泄露，排除凝结水的作用，从而达到节能和防止水锤现象及其可能引起的故障。
- They are provided with steam or air insulation device and thus are not affected by ambient temperature, so that the action frequency is reduced and the service life is prolonged.
- They are provided with filtering nets and down valves.
- Thermodynamic traps feature sensitive and reliable actions and large drainage volume.
- The product is applicable to steam pipelines and equipment to prevent steam leakage and remove condensate, so as to realize energy saving and avoid water hammer or other possible failure.

产品标准 Specification

设计与制造标准 Standard	结构长度 Face to Face Dimisension	连接尺寸 Dimensions	压力与检验 Test & Inspect
GB/T 12244	JB/T 2205	GB/T 9113	GB/T 12245

主要零部件材料及适用范围 Standard Material Specifications

零件名称 Parts	阀体 Body	阀盖 Cover	阀片 Slice	过滤网 Filter
材料 Material	铸钢 WCB	铸钢 WCB	不锈钢 Stainless steel	不锈钢 Stainless steel
适用温度 Temperature	≤ 300℃			
适用介质 Medium	蒸汽、凝结水等 Steam、Condensate etc			

主要外形与连接尺寸 Main figuration and Connecting Size

DN	螺纹连接 Thread conjunction		承插焊 Socket welded		法兰连接 Flange conjunction	
	L	H	L	H	L	H
15	90	80	75	80	150	110
20	90	90	85	90	150	110
25	90	115	90	115	160	115
32	120	138	120	138	230	138
40	120	148	120	148	230	148
50	140	163	140	163	230	163
65					250	185
80					280	285
100					310	315

减压阀系列 Pressure valve Series

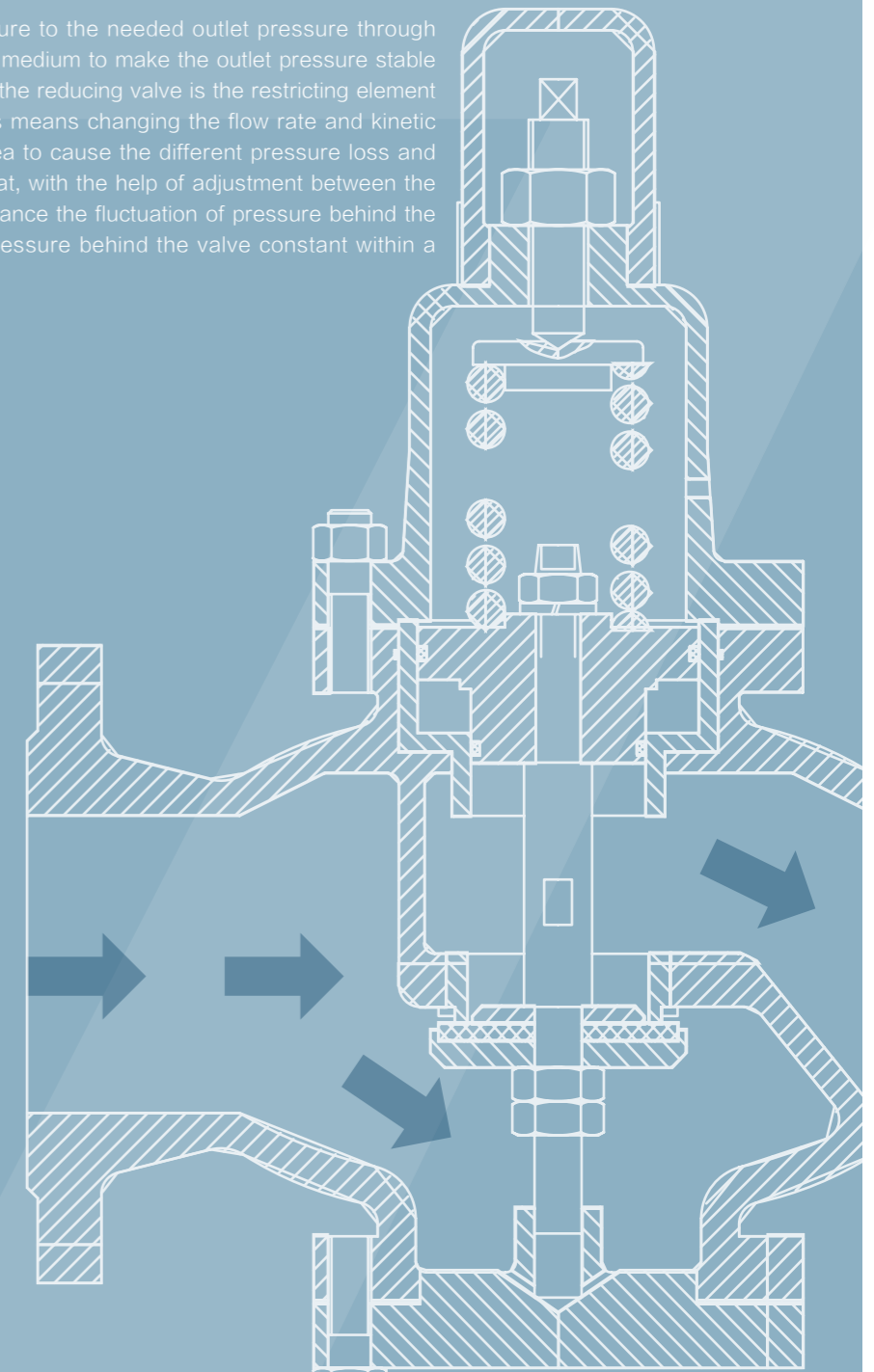
产品概述 Products Overview:

减压阀是通过调节，将进口压力减至某一需要的出口压力，并依靠介质本身的能量，使出口压力自动保持稳定的阀门。从流体力学的观点看，减压阀是一个局部阻力可以变化的节流元件，即通过改变节流面积，使流速及流体的动能改变，造成不同的压力损失，从而达到减压的目的。然后依靠控制与调节系统的调节，使阀后压力的波动与弹簧力相平衡，使阀后压力在一定的误差范围内保持恒定。

The reducing valve reduces the inlet pressure to the needed outlet pressure through adjustment. It depends on the energy of the medium to make the outlet pressure stable automatically. In the view of hydrodynamics, the reducing valve is the restricting element which can change the local resistance. This means changing the flow rate and kinetic energy of fluid through changing throttle area to cause the different pressure loss and to achieve the purpose of the relief. After that, with the help of adjustment between the controlling system and adjusting system, balance the fluctuation of pressure behind the valve with the spring force and keep the pressure behind the valve constant within a certain error range.

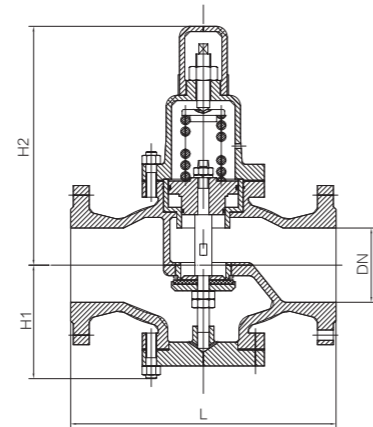
产品特点 Products Features:

1. 减压精确。
 2. 性能稳定、安全可靠。
 3. 安装调节方便。
 4. 使用寿命长。
1. Accurately pressure reducing.
 2. Stable performance, safe and reliable.
 3. Convenient to install and adjust.
 4. Long lifespan.



弹簧活塞式减压阀 Piston relief pressure valve of spring

Y42X-10~63C.Z.



主要特点及用途 Main Feature and Use

- 该阀主要由阀体、阀盖、弹簧、活塞、阀座等组成，采用阀后压力直接传递作用于活塞上，下方压力保持最佳平衡状态，动作灵敏快捷，适用于介质温度 0~90℃ 的水、空气和非腐蚀性液体管路上，可取代常规分区水管，简化和节省系统设备，降低工程造价。
- A spring piston type pressure reducing valve mainly comprises of a body, a cover, a spring, a piston and a valve seat. It has downstream pressure directly applied to the piston, with the pressure below maintained at the optimal balanced state. Meanwhile, spring piston type pressure reducing valves have sensitive and fast action, and are applicable to pipelines for water, air and other non-corrosive liquids at the temperature of 0~90℃. They can be used to substitute conventional sectional water pipes, so as to simplify and save system equipment, and reduce engineering construction cost.

产品标准 Specification

设计与制造标准 Standard	结构长度 Face to Face Dimensision	法兰连接尺寸 Flange Dimensions	试验与检验 Test & Inspect
GB/T 12244	JB/T 2205	GB/T 9113、GB/T 17241.6	GB/T 12245

主要零部件材料及适用范围 Standard Material Specifications

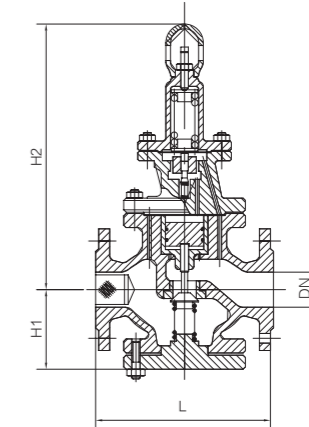
零件名称 Parts	阀体、上盖、下盖 Body、Up Cover、down Cover	调节弹簧 Regulate spring	活塞 Piston	缸套 Cylinder block
材料 Material	灰铸铁、铸钢 Gray Cast iron、WCB	硅锰钢 Silico-manganese steel	不锈钢 Stainless steel	不锈钢 Stainless steel
适用温度 Temperature	0~90℃			
适用介质 Medium	水、空气和非腐蚀性液体 Water、air & Non-corrosive liquids			

主要外形与连接尺寸 Main figuration and Connecting Size

DN	L			H1				H2			
	PN16/PN25	PN40	PN63	PN16	PN25	PN40	PN63	PN16	PN25	PN40	PN63
20	160	160	170	90	90	90	90	220	220	220	220
25	180	200	200	95	95	100	100	255	255	265	265
32	200	220	220	100	100	100	100	255	255	265	265
40	220	240	240	115	115	130	130	325	325	330	330
50	250	270	270	120	120	135	135	325	325	330	330
65	260	280	300	125	125	140	140	330	330	340	340
80	310	330	330	135	135	150	150	340	340	340	340
100	350	380	380	158	158	185	185	357	357	360	360
125	400	450	450	190	200	200	200	560	560	565	565
150	450	500	500	205	210	210	210	580	580	585	585
200	500	560	560	220	245	245	245	630	630	635	635
250	600			270							
300	800			310							
350	850			390							
400	900			420							

蒸汽减压阀 Steam relief pressure valve

Y43H-16~63C.Q.P.



主要特点及用途 Main Feature and Use

- 该阀适用于蒸汽、空气等气体管路上，通过减压阀的调节，可使进口压力降至某一需要的出口压力，当进口压力或流量变动时，减压阀依靠介质本身的能量可自动保持出口压力在小范围内波动。
- Steam pressure reducing valves are applicable to pipelines for steam, air and other gases. Through regulation by the reducing valves, the pressure at the inlets can be reduced to a pressure required at the outlets. When the pressure or flow at the inlets changes, the reducing valves can, relying on the energy of the medium carried, automatically keep the pressure at the outlet within a small fluctuation range.

产品标准 Specification

设计与制造标准 Standard	结构长度 Face to Face Dimensision	法兰连接尺寸 Flange Dimensions	试验与检验 Test & Inspect
GB/T 12244	JB/T 2205	GB/T 9113、GB/T 17241.6	GB/T 12245

主要零部件材料及适用范围 Standard Material Specifications

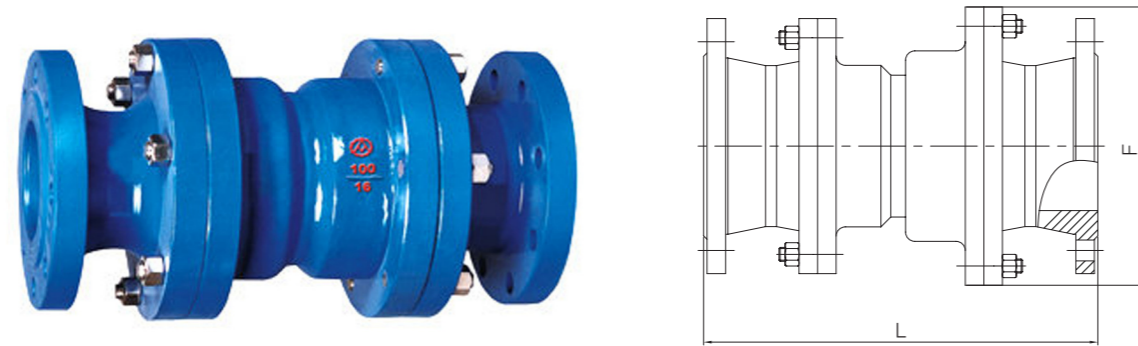
零件名称 Parts	材质 Material	适用温度 Temperature	适用介质 Medium
阀体、阀盖 Body、Cover	球铁、碳钢、不锈钢 Carbon、WCB、Stainless steel	≤ 200℃	蒸汽等 Steam etc
副阀座、副阀瓣、膜片 secondary seat、main valve one、Dissepiment 主阀座、主阀瓣、活塞 Main seat、main valve one、piston	不锈钢 Stainless steel		
弹簧 Spring	铬钒钢 Chrome vanadium steel		
调节弹簧 Regulatespring	硅锰钢 Silico-manganese steel		
活塞环 Piston	合金铸铁 Casting iron		

主要外形与连接尺寸 Main figuration and Connecting Size

DN	L				H1				H2			
	PN10	PN25	PN40	N63	PN10	PN25	PN40	N63	PN10	PN25	PN40	N63
20	160				89				312			
25	180	200	200	200	101	101	101	110	315	315	315	370
32	200	200	220	220	107	107	107	125	320	320	320	380
40	220	220	240	240	113	113	113	130	325	325	325	395
50	250	250	270	270	120	120	120	135	335	335	335	405
65	260	260	280	300	125	125	125	145	340	340	365	410
80	310	310	330	330	140	140	140	170	360	360	385	445
100	350	350	380	380	150	150	150	175	390	390	385	455
125	400	400	450	450	190	190	190	245	440	425	425	504
150	450	450	500	500	205	210	210	280	440	445	445	555
200	500	500	560	560	220	245	245	310	475	485	485	581
250	600	600			270	270			545	545		
300	800	800			335	335			575	575		
350	850	850			390	390			650	650		
400	900	900			430	430			705	710		

比例式减压阀 Proportional pressure valve

YB43X-16C.Z.



主要特点及用途 Main Feature and Use

- 该阀是利用阀内浮动活塞两端不同的截面积构成了阀前与阀后的压力差，改变阀后的压力达到减压的目的。该产品结构独特、性能优越、流量大、开关平稳、无噪声、比例准确、“减动压”有“减静压”，并且有减少乃至消除“水锤”现象对管件与供水器具的破坏，消除不必要的振动，节约水资源保护管网的作用。本公司提供的标准压力比为 2:1、3:1、4:1、5:1、3:2、5:2 等，也可根据用户的要求设计特殊比例的减压阀。
- Proportional pressure reducing valve realize pressure reduction by changing the downstream pressure as there is upstream and downstream pressure difference due to different sectional areas at the two ends of the floating pistons inside the valves. The products feature a unique structure, outstanding performance, large volume, stable opening and closing, no noise and accurate proportion. They can work to reduce “dynamic pressure” and “static pressure”; they can also reduce or even eliminate effect of water hammer on pipe fittings and water supply apparatuses, eliminate undesired vibration, save water resources and protect pipe networks. The company supplies reducing valves of different standard pressure ratios, including 2:1, 3:1, 4:1, 5:1, 3:2 and 5:2. Reducing valves of special ratios can also be designed based on requirements of customers.

产品标准 Specification

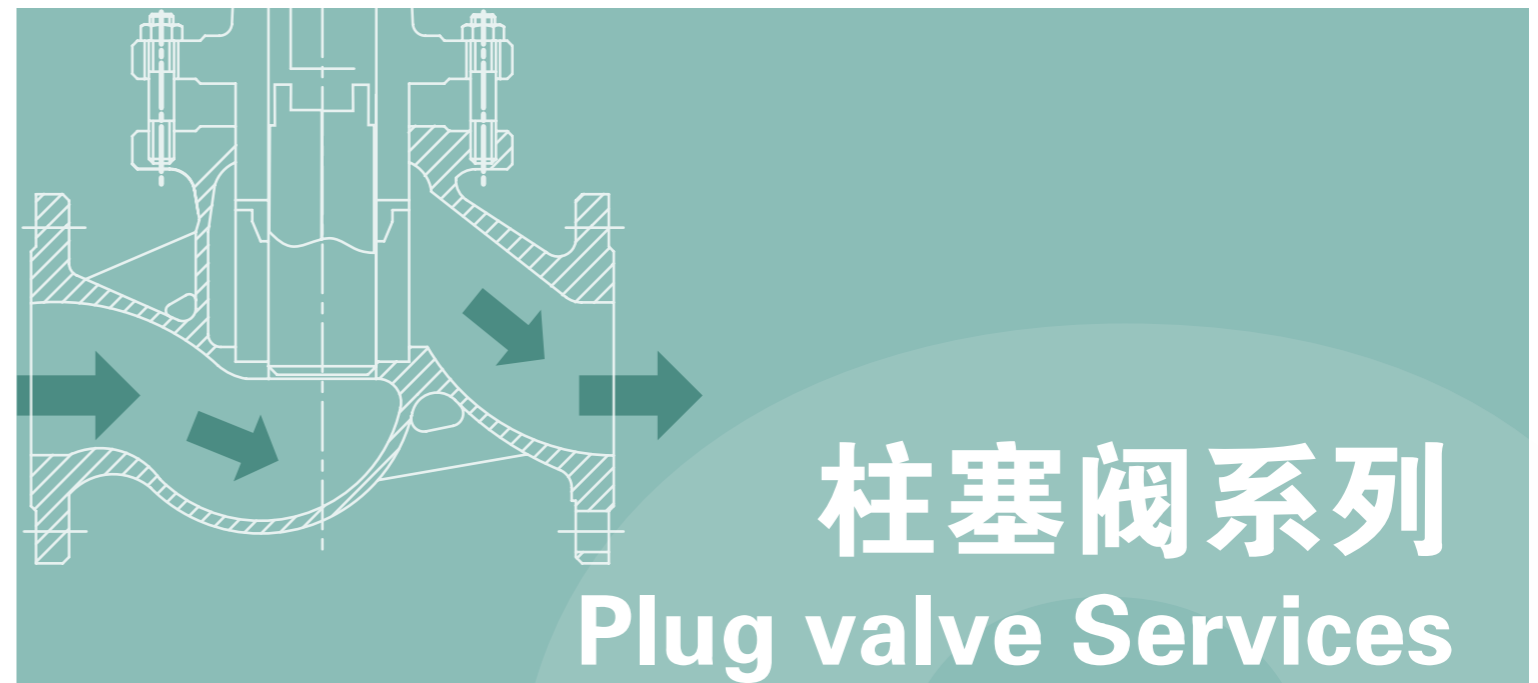
设计与制造标准 Standard	结构长度 Face to Face Dimisension	法兰连接尺寸 Flange Dimensions	试验与检验 Test & Inspect
GB/T 21386	JB/T 2205	GB/T 9113、GB/T 17241.6	GB/T 21386、GB/T 12245

主要零部件材料及适用范围 Standard Material Specifications

零件名称 Parts	材质 Material	适用温度 Temperature	适用介质 Medium
阀体、进出口法兰 Body、Flange	铸铁、铸钢 Cast iron、WCB	≤ 80℃	水、气等 Water、air etc
活塞、大小缸套 Piston、Cylinder block	青铜或不锈钢 Bronze、Stainless steel		

主要外形与连接尺寸 Main figuration and Connecting Size

型号 Model	DN	L	F
YB43X-16 2:1 3:1 4:1 5:1 3:2 5:2	25	230	125
	32	250	145
	40	255	160
	50	270	180
	65	300	190
	80	320	220
	100	340	240
	125	400	280
	150	430	320
	200	460	380



产品概述 Products Overview:

柱塞阀又称为活塞阀，其启闭件由阀杆带动，是沿阀座（密封圈）轴线做直线升降运动的阀门。性能与截止阀相同，除用于截流外，也可起一定的节流作用。

柱塞阀工作基于径向密封原理，具有结构简单、启闭灵活、密封性好、拆装维修方便、使用寿命长等特点。在柱塞阀中，阀门开启时，只有当柱塞全部离开密封圈后，介质才能开始流动。因此阀座密封面就不会受到流体侵蚀破坏。当阀门关闭时，柱塞能够刮去附着在阀座上的固体颗粒，因此柱塞阀可以用于含悬浮颗粒的介质。当密封损坏时，可以在现场更换柱塞和阀座，这样不需要进行机加工就能得到一只完好的新柱塞阀。与截止阀一样，柱塞阀也能够很好地控制流量。如果需要对流量的灵敏的调节，那么柱塞上可安装一个针形加长段。在能够接受弯曲流道所产生的流体阻力的情况下，柱塞阀也可用于切断和接通流体。

Plunger valve is also named as bucket valve. Its start and stop pieces are driven by the valve stem. It is a valve which makes straight lifting movement along the valve seat (sealing ring) axis. It has the same performance as the stop valve. Besides being used in intercepting, it can also play a part in throttling to a certain extent.

Plunger valve works on the basis of radial seal principle, with the features of features in simple structure, flexible to start and stop, good tightness, convenient to mount, dismount and maintain, long lifespan and so on. In the plunger valve, when the valve is open, the medium can start to flow only after the plunger completely leaves the sealing ring. Therefore, the seal surface of the valve seat won't be eroded and damaged by the fluid. When the valve is closed, the plunger can scrape the solid-phase particles attached to the valve seat. Therefore, the plunger valve can be used in media with suspended particles. When the seal is broken, the plunger and the valve seat can be replaced on the spot. In this way, an intact new plunger valve can be gotten without machining. Just like the stop valve, the plunger valve can also control the flow well. If sensitive adjustments to the flow are required, an aciform lengthened segment can be installed on the plunger. Under the circumstance that the fluid resistance generated by the curve runner, the plunger valve can also be used to cut off and connect fluid.

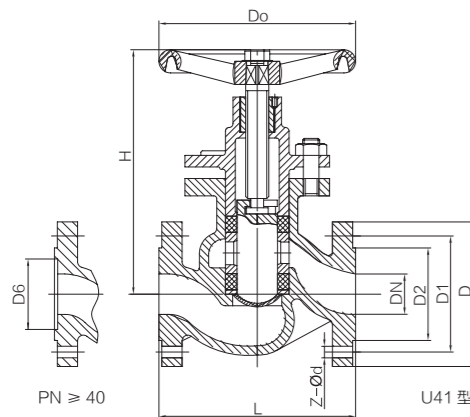
产品特点 Products Features:

1. 柱塞阀密封副为金属与非金属相组合，密封比压较小，容易达到密封要求。
2. 密封比压依靠密封件之间的过盈产生，并且可以用压盖螺栓调节密封比压的大小。
3. 密封面处不易积留介质中的杂物，能确保密封性能。
4. 密封件采用耐磨材料制成，使用寿命比截止阀长。
5. 检修方便，除必要时更换密封圈外，不像截止阀那样需对阀瓣、阀座进行研磨。

1. The sealing pair of the plunger valve combines metal and nonmetal. It has relatively small sealing pressure and can reach the sealing requirements easily.
2. The sealing pressure is generated by the interference between the seal pieces and the size of pressure can be adjusted with a gland bolt.
3. It's not easy for impurities in the medium to accumulate on the seal surface, which can guarantee the sealing performance.
4. Seal pieces are made of wear-resistant materials and have longer lifespan than that of the stop valve.
5. It is convenient to overhaul the plunger valve. Except that the seal ring needs to be replaced when necessary, the valve flap and the valve seat don't need to be ground like the stop valve.

柱塞阀 Plug valve

SM 16
U41 - 25 C.Z.P.
F 40



主要特点及用途 Main Feature and Use

- 该阀由阀体、阀盖、阀杆、柱塞、孔架、密环、手轮等零件组成。当手轮旋转时，通过阀杆带动柱塞在孔架中间上下往复运动来完成阀门的开启与关闭功能。在阀门中柱塞与密封环间采用过盈配合，通过调节压盖中法兰螺栓，使密封环压缩所产生的侧向力与阀体中孔面积柱塞外圆密封，从而保证了阀门的密封性，杜绝了内泄漏。同时阀门开启力矩小，能实现阀门的迅速开启和关闭。由于密封环采用回弹性强、耐磨性高的无毒新型密封材料，具有经受长期高温、高压而不丧失弹性，所以密封性能可靠，经久耐用。适用于城建、化工、冶金、石油、制药、食品等领域。
- A plunger valve comprises of a body, a cover, a valve rod, a plunger, an inlet rack, a seal ring and a hand wheel etc. When the hand wheel rotates, it will drive the plunger via the valve rod to move upwards and downwards in the middle to realize opening and closing of the valve. The valve has interference fit between the plunger and the sealing ring. Through adjustment of the flange bolts in the cover, a side force will be produced by compression of the sealing ring to make the inlet surface tight with the outer circle of the plunger, so that tightness of the valve is ensured and internal leakage is avoided. Meanwhile, the plunger valves can realize fast opening and closing due to its small opening torque. The sealing rings are made of a new non-toxic sealing material that has strong elasticity and good resistance to wear and will not lose elasticity after long-term exposure to high temperature and pressure; thus the sealing rings have reliable and lasting sealing performance. Plunger valves are suitable for applications in urban construction, chemical engineering, metallurgical industry, petroleum industry, pharmaceutical and food industries.

产品标准 Specification

结构长度 Face to Face Dimisension	法兰连接尺寸 Flange Dimensions	压力试验 PS Test pressure & Inspect
DIN3202F1、ASME B16.10	ASME B16.34	GB/T 13927、API598

主要零部件材料及适用范围 Standard Material Specifications

零部件名称 Parts	阀体、阀盖 Body、Cover	柱塞、阀杆 Disc、Stem	密封圈 Seat	阀杆螺母 Stem nut
材质 Material	铸铁、铸钢、不锈钢 cast iron、WCB、Stainless steel	不锈钢 Stainless steel	四氟乙烯加柔性石墨 PTFE、Gentle graphite	铝青铜 Al bronze
适用温度 Temperature	≤ 250℃			
适用介质 Medium	水、蒸汽、油品等 Water、Steam、Oil etc.			

PN16/PN25 主要外形与连接尺寸 Main figuration and Connecting Size

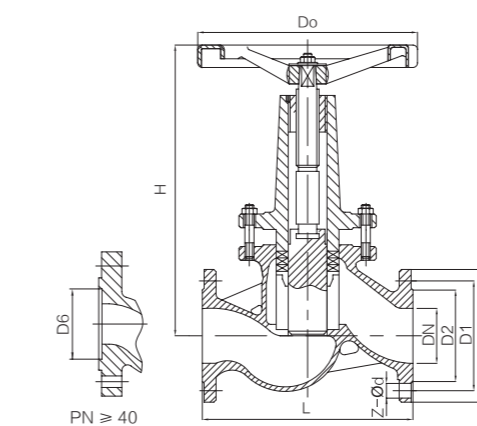
DN	外形尺寸 Outline Size			法兰连接尺寸 Flange connection					
				PN16			PN25		
	L	H	D0	D	D1	Z-φd	D	D1	Z-φd
15	130	133	80	95	65	4-14	95	65	4-14
20	150	140	100	105	75	4-14	105	75	4-14
25	160	165	120	115	85	4-14	115	85	4-14
32	180	180	140	140	100	4-18	140	100	4-18
40	200	200	160	150	110	4-18	150	110	4-18
50	230	230	180	165	125	4-18	165	125	4-18
65	290	267	200	185	145	8-18	185	145	8-18
80	310	300	240	200	160	8-18	200	160	8-18
100	350	340	240	220	180	8-18	235	190	8-22
125	400	388	360	250	210	8-18	270	220	8-26
150	480	410	360	285	240	8-22	300	250	8-26
200	600	498	500	340	295	12-22	360	310	12-26

PN40 主要外形与连接尺寸 Main figuration and Connecting Size

DN	L	D	D1	D3	Z-φd	H	D0	D0
15	130	95	65	40	4-14	145	80	80
20	150	105	75	51	4-14	195	100	100
25	160	115	85	58	4-14	202	120	120
32	180	140	100	66	4-18	226	140	140
40	200	150	110	76	4-18	239	200	200
50	230	165	125	88	4-18	265	200	200
65	290	185	145	110	8-18	287	200	200
80	310	200	160	121	8-18	301	280	280
100	350	235	190	150	8-22	346	280	280
125	400	270	220	176	8-26	396	400	400
150	480	300	250	204	8-26	425	400	400
200	600	375	320	260	12-30	515	500	500

柱塞截止阀 Plug globe valve

H
UJ41 - 16~40 C.R.P.
W



主要特点及用途 Main Feature and Use

- 柱塞截止阀是由阀体、阀盖、阀杆、柱塞、导向环、密封圈、手轮等零部件组成。密封环采用回弹性强，耐磨性高的无毒新型密封材料，所以密封可靠，经久耐用。从而提高了柱塞截止阀的使用寿命。柱塞截止阀结合柱塞阀的无泄漏特点和截止阀启闭快的特点，成为一种结构新颖，用途广泛的新产品。
- Plunger stop valve is comprised of valve body, bonnet, valve rod, plunger, guide ring, seal ring and hand wheel. Specifically, the seal ring is made of a novel non-toxic sealing material with high rebound resilience and abrasion resistance which is reliable and durable, thus prolonging the service life of the valve. Plunger stop valve is a novel product integrating the features of plunger valve (leakage-free) and stop valve (quickly opened/closed); therefore, it can be widely applied in many fields.

产品标准 Specification

设计与制造标准 Standard	结构长度 Face to Face Dimisension	法兰连接尺寸 Flange Dimensions	压力试验 PS Test pressure & Inspect
GB/T 12235	GB/T 12221	GB/T 9113	GB/T 13927

主要零部件材料及适用范围 Standard Material Specifications

阀体材料 Body Material	适用温度 Temperature	适用介质 Medium
铸钢 WCB	≤ 425℃	水、蒸汽、油 Water, Steam, Oil etc
不锈钢 stainless stell	≤ 300℃	硝酸、醋酸 HNO ₃ 、HAC
铬镍钼不锈钢 Cr.Ni.Ti stainless stell	≤ 300℃	氨、氢、氨尿素 N ₂ , H ₂ , NH ₃ , carbamide

PN16/PN25 主要外形与连接尺寸 Main figuration and Connecting Size

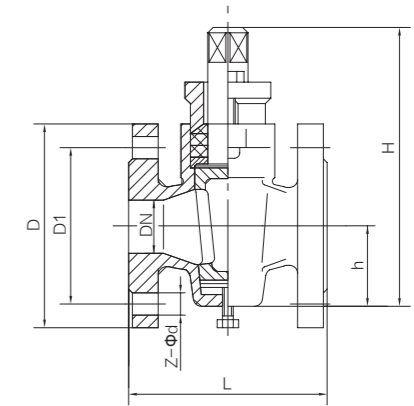
DN	外形尺寸 Outline Size			法兰连接尺寸 Flange connection					
				PN16			PN25		
	L	H	D0	D	D1	Z-φd	D	D1	Z-φd
15	130	133	100	95	65	4-14	95	65	4-14
20	150	170	100	105	75	4-14	105	75	4-14
25	160	178	120	115	85	4-14	115	85	4-14
32	180	195	140	140	100	4-18	140	100	4-18
40	200	230	160	150	110	4-18	150	110	4-18
50	230	250	180	165	125	4-18	165	125	4-18
65	290	272	200	185	145	8-18	185	145	8-18
80	310	300	240	200	160	8-18	200	160	8-18
100	350	312	280	220	180	8-18	235	190	8-22
125	400	365	320	250	210	8-18	270	220	8-26
150	480	400	350	285	240	8-22	300	250	8-26
200	600	460	450	340	295	12-22	360	310	12-26
250	650	940	500	405	355	12-26	425	370	12-30
300	698	985	550	460	430	12-26	485	430	16-30
350	787	1100	600	520	470	16-26	555	490	16-33
400	914	1395	700	580	525	16-30	620	550	16-36

PN40 主要外形与连接尺寸 Main figuration and Connecting Size

DN	L	D	D1	D3	Z-φd	H	D0
15	130	95	65	40	4-14	133	100
20	150	105	75	51	4-14	170	100
25	160	115	85	58	4-14	178	120
32	180	140	100	66	4-18	195	140
40	200	150	110	76	4-18	230	160
50	230	165	125	88	4-18	250	180
65	290	185	145	110	8-18	272	200
80	310	200	160	121	8-18	300	240
100	350	235	190	150	8-22	312	280
125	400	270	220	176	8-26	365	320
150	480	300	250	204	8-26	400	350
200	600	375	320	260	12-30	460	450
250	650	450	385	313	12-33	940	500
300	698	515	450	364	16-33	1000	550
350	787	580	510	422	16-36	1140	600
400	914	660	585	474	16-39	1400	700

旋塞阀 Plug Valve

W
X43 F - 10 Z.T.P.R.
T



主要特点及用途 Main Feature and Use

- 结构简单、开关迅速、流通阻力小、角行程操作快。
- 密封性能好，安装方向不受限制，介质的流向可任意。
- 无振动、噪声小。
- 广泛地应用于油田开采、输送和精练设备中，同时也广泛用于石油化工、化工、煤气、天然气、液化石油气、暖通行业等各种工况的管路上。
- It has simple structure, fast switching speed, small flowing resistance and quick rotary motion operations.
- The sealing performance is good, the installation direction is not limited, and the direction in which the medium flows can be arbitrary.
- No vibration and little noise.
- Widely used in different pipe circuits such as the oilfield exploitation, transportation and refining devices, and at the same time widely used in petrochemical engineering, chemical engineering, coal gas, natural gas, liquefied petroleum gas, heating ventilation.

产品标准 Specification

设计与制造标准 Standard	结构长度 Face to Face Dimisension	法兰连接尺寸 Flange Dimensions	压力测试 PS Test pressure & Inspect
GB/T 22130; GB/T 12240	GB/T 22130; GB/T 12221	GB/T 9113; GB/T 17241.6	GB/T 13927

主要零部件材料及适用范围 Standard Material Specifications

材料 Material			适用温度 Temperature	适用介质 Medium
阀体、旋塞 Body、Cover	填料 Packing	填料压板 (阀盖) Gland		
灰铸铁 Gray cast iron	油浸石棉 Oil asbestos	灰铸铁 Gray cast iron	≤ 80°C	水、蒸汽、油品 Water、Steam、Oil etc
铜合金 Copper alloy	柔性石墨 Gentle grahite	铜合金 Copper alloy	≤ 100°C	水、蒸汽、油品 Water、Steam、Oil etc
铬镍钛不锈钢 Cr.Ni.Ti stainless stell	聚四氟乙烯 PTFE	铬镍钛不锈钢 Cr.Ni.Ti stainless stell	≤ 150°C	硝酸类 HNO ₃
铬镍钼钛不锈钢 Cr.Ni.Mo.Ti stainless stell	聚四氟乙烯 PTFE	铬镍钼钛不锈钢 Cr.Ni.Mo.Ti stainless stell	≤ 150°C	醋酸类 HNO ₃

主要外形与连接尺寸 Main figuration and Connecting Size

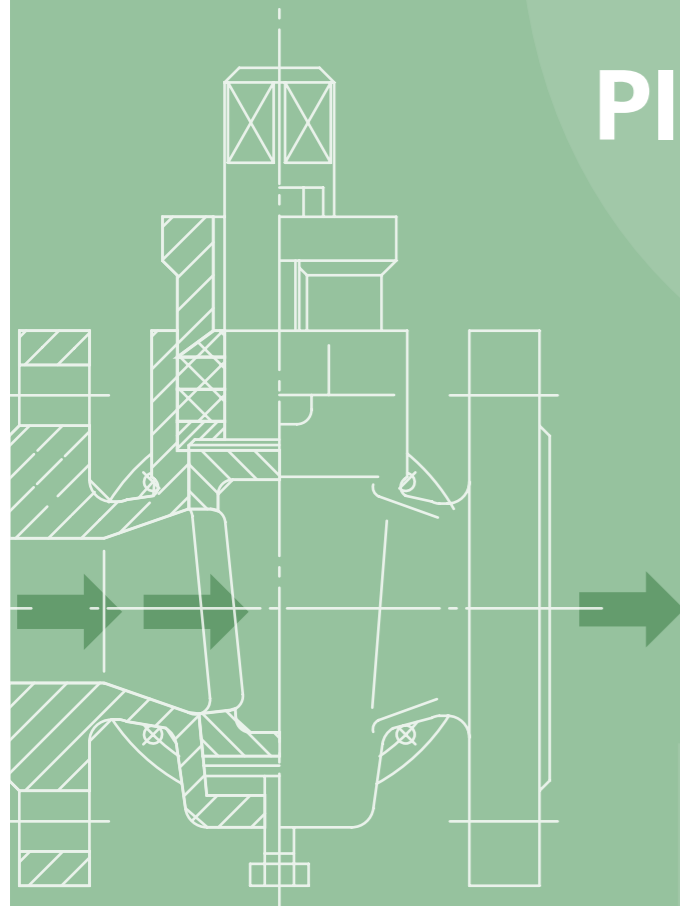
DN	15	20	25	32	40	50	65	80	100	125	150	200
L	80	90	110	130	150	170	220	250	300	350	400	460
D	95	105	115	140	150	165	185	200	220	250	285	340
D1	65	75	85	100	110	125	145	160	180	210	240	295
Z-φd	4-14	4-14	4-14	4-18	4-18	4-18	8-18	8-18	8-18	8-18	8-22	8-22
H	99	124	133	152	212	260	295	327	425	482	512	705
h	26	34	38	45	55	74	82	95	135	154	172	195

产品特点 Products Features:

1. 旋塞阀适用于经常操作，启闭迅速、轻便。
2. 旋塞阀流体阻力小。
3. 旋塞阀结构简单，相对体积小，重量轻，便于维修。
4. 密封性能好
5. 不受安装方向的限制，介质的流向可任意。
6. 无振动，噪声小。

1. The plug valve is applicable to situations that require frequent operations. It can start and stop quickly with good portability.
2. The fluid resistance of the plug valve is small.
3. The plug valve has simple structure, small relative volume, light weight and is convenient to maintain.
4. It has good sealing performance
5. It is not limited by the installation direction, and the direction in which the medium flows can be arbitrary.
6. It has no vibration and the noise is small.

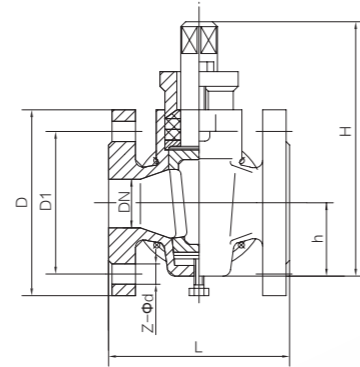
旋塞阀 Plug valve Series



T 型三通旋塞阀

T type three way type plug valve

X44W-6^T_Z



主要特点及用途 Main Feature and Use

- 产品结构合理、密封可靠、性能优良、造型美观
- 可根据管路工况要求，可设计成多种流通形式（如 L 型、T 型）和多种密封形式（如硬密封、卡套密封、油密封）。
- 广泛地应用于油田开采、输送和精练设备中，同时也广泛用于石油化工、化工、煤气、天然气、液化石油气、暖通行业等各种工况的管路上，多用于改变介质流动方向或进行介质分配。
- The product is properly structures, reliably sealed, with high performance and a nice appearance
- It can be designed as multi-circulation forms (such as type L, type T) and multiple sealed forms (such as hard seal, nested seal of oil seal) according to the needs of the pipe construction.
- Widely applied in the oil field exploitation, transportation and refining devices, and at the same time widely used in petrochemical engineering, chemical engineering, coal gas, natural gas, liquefied petroleum gas, heating ventilation. Mainly used to change the medium's flowing direction or redistribute the medium.

产品标准 Specification

设计与制造标准 Standard	结构长度 Face to Face Dimisension	法兰连接尺寸 Flange Dimensions	试验与检验 Test & Inspect
GB/T 12240	GB/T 12221	GB/T 17241.6	GB/T 13927

主要零部件材料及适用范围 Standard Material Specifications

零件名称 Parts	阀体 Body	塞子 Stopper	填料 Packing	填料压盖 Gland	适用温度 Temperature	适用介质 Medium
X44W-6	灰铸铁 Gray cast iron	灰铸铁 Gray cast iron	油浸石棉 Oil asbestos	灰铸铁 Gray cast iron	≤ 80℃	油品 Oil
X44W-6T	铜合金 Copper alloy	铜合金 Copper alloy	柔性石墨 Gentle grahite	铜合金 Copper alloy	≤ 120℃	水、蒸汽 Water、Steam

主要外形与连接尺寸 Main figuration and Connecting Size

DN	25	32	40	50	65	80	100	150
L	145	165	190	200	230	260	300	400
D	100	120	130	140	160	190	210	265
D1	75	90	100	110	130	150	170	225
Z-φd	4-11	4-14	4-14	4-14	4-14	4-18	4-18	8-18
H	176	233	268	295	370	425	474	540
h	48	63	76	85	113	125	142	

隔膜阀系列 Diaphragm valve Series

产品概述 Products Overview:

隔膜阀的结构形式与一般阀门大不相同，是一种新型的阀门，是一种特殊形式的截断阀，它的启闭件是一块用软质材料制成的隔膜，把阀体内腔与阀盖内腔及驱动部件隔开，现广泛使用在各个领域。

The structure of the diaphragm valve is very different from general valves. It is an innovative valve, and an insulation valve with a special design. Its opening and closing device is a sheet of soft materials, used to partition in interior of the valve, and the interior of the valve lid and the driving devices. It is now widely applied in various fields.

产品特点 Products Features:

1. 流体阻力小。
 2. 能用于含硬质悬浮物的介质；由于介质只与阀体和隔膜接触，所以无需填料函，不存在填料函泄漏问题，对阀杆部分无腐蚀可能。
 3. 适用于有腐蚀性、粘性、浆液介质。
 4. 不能用于压力较高的场合。
1. Small fluid obstruction
 2. It can be applied to mediums that contain hard floating particles; since the medium is only in contact with the sheet, there is no need for a stuffing box, thus without he problem of a stuffing box leakage, and will not rot the valve lever parts.
 3. Application to corrosive, sticky or serous fluids.
 4. Not applicable to high pressure situations.

隔膜阀 Diaphragm Valves

- 1 F₃
- 4 F₄-6~16 C.Z.Q.P.R.
- 5 F₄₆



主要特点及用途 Main Feature and Use

- 流体阻力小。
- 能用于含硬质悬浮物的介质；由于介质只与阀体和隔膜接触，所以无需填料函，不存在填料函泄漏问题，对阀杆部分无腐蚀可能。
- 适用于有腐蚀性、粘性、浆液介质。
- 不能用于压力较高的场合。
- Small fluid resistance.
- It is applicable to the media containing hard suspended solids. As the media contact with the valve body and diaphragm only, no stuffing box is needed. Therefore, the valve is free from leakage of stuffing box and the valve rod is free from corrosion.
- Applicable to corrosive, viscous and serous medium.
- Non-applicable to high-pressure applications.

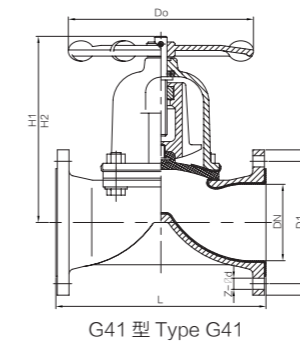
产品标准 Specification

设计与制造标准 Standard	结构长度 Face to Face Dimension	法兰连接尺寸 Flange Dimensions	试验与检验 Test & Inspect	驱动方式 Drive mode
GB/T 12239	GB/T 12221 JB/T 1688	GB/T 9113;GB/T 17241.6	GB/T 13927	手动、气动、电动 Handle、Pneumatic、Electric

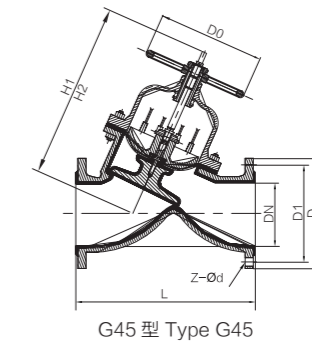
主要零部件材料及适用范围 Standard Material Specifications

零件名称 Material	灰铸铁 Gray cast iron	球墨铸铁 Ductile cast iron	碳钢 WCB	不锈钢 Stainless steel	
	Z	Q	C	P	R
阀体、阀盖 Body、Cover	HT250	QT 400	WCB	CF8	CF8M
阀瓣、阀杆 Disc、Stem	2Cr13	2Cr13	2Cr13	F304	F316
衬里、阀座 Fluorone、Seat	PTFE(F4)、PCTFE(F3)、FEP(F46)、PFA(可溶性 F4)				
隔膜 Diaphragm	FEP(F46)、CR(氯丁橡胶)、PFA(可溶性 F4)、EPDM(乙丙橡胶)				
阀杆螺母 Stem nut	ZCuAl10Fe3	ZCuAl10Fe3	ZCuAl10Fe3	ZCuAl10Fe3	ZCuAl10Fe3
螺栓 Bolt	35	35	35	1Cr17Ni2	1Cr17Ni2
螺母 Nut	45	45	45	0Cr18Ni9	0Cr18Ni9
适用温度 Temperature	≤ 80℃				
适用介质 Medium	弱腐蚀性介质和腐蚀性介质 Weak corrosive media and aggressive media				

隔膜阀 Diaphragm Valves



G41 型 Type G41



G45 型 Type G45

PN16/PN25 主要外形与连接尺寸 Main figuration and Connecting Size

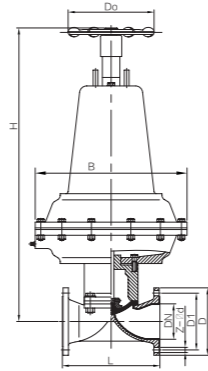
DN	外形尺寸 Outline Size				法兰连接 Flange connection					
					PN6			PN10		
	L	H1	H2	D0	D	D1	Z-φd	D	D1	Z-φd
15	125	105	110	100	80	55	4-11	95	65	4-14
20	135	115	125	100	90	65	4-11	105	75	4-14
25	145	120	135	120	100	75	4-11	115	85	4-14
32	160	125	150	120	120	90	4-14	140	100	4-18
40	180	135	175	140	130	100	4-14	150	110	4-18
50	210	155	195	140	140	110	4-14	165	125	4-18
65	250	170	200	200	160	130	4-14	185	145	8-18
80	300	200	255	200	190	150	4-18	200	160	8-18
100	350	270	325	280	210	170	4-18	220	180	8-18
125	400	335	405	320	240	200	8-18	250	210	8-18
150	460	370	450	320	265	225	8-18	285	240	8-22
200	570	480	600	400	320	280	8-18	340	295	8-22
250	680	545	620	500	375	335	12-18	395	350	12-22
300	790	585	680	500	440	395	12-22	445	400	12-22

PN40 主要外形与连接尺寸 Main figuration and Connecting Size

DN	外形尺寸 Outline Size				法兰连接 Flange connection		
	L	H1	H2	D0	D	D1	Z-φd
15	125	110	115	120	95	65	4-14
20	135	120	130	120	105	75	4-14
25	145	125	140	140	115	85	4-14
32	160	130	155	140	140	100	4-18
40	180	140	180	160	150	110	4-18
50	210	160	200	160	165	125	4-18
65	250	175	205	200	185	145	8-18
80	300	205	260	200	200	160	8-18
100	350	275	330	280	220	180	8-18
125	400	340	410	320	250	210	8-18
150	460	375	460	320	285	240	8-22
200	570	485	605	400	340	295	12-22
250	680	550	625	500	405	355	12-26
300	790	590	685	500	460	410	12-26
350	787	580	510	422	16-36	1140	600
400	914	660	585	474	16-39	1400	700

气动隔膜阀 (往复式)

W 6
EG641J -10C.Z.Q.R
FS 16



主要特点及用途 Main Feature and Use

- 气动隔膜阀是一种特殊形式的截断阀，它的启闭件是一块用软质材料制成的隔膜，把阀体内腔与阀盖内腔及驱动部件隔开，故称气动隔膜阀。气动隔膜阀最突出特点是隔膜把下部阀体内腔与上部阀盖内腔隔开，使位于隔膜上方的阀杆、阀瓣等零件不受介质腐蚀，省去了填料密封结构，且不会产生介质外漏。用途：本阀适用于控制非腐蚀性或一般腐蚀性介质，阀体内腔表面无衬里或覆有可供选择的橡胶，适用于不同工作温度和流体管路。
- Pneumatic diaphragm valve is a special block valve, of which the disc is a diaphragm made of soft materials. It is so called for its valve body cavity is separated from the bonnet cavity and drive elements by the diaphragm. The most outstanding feature of this kind of valve is that the lower valve body cavity is separated from the upper bonnet cavity, which protects the valve rod and valve clack above the diaphragm from being corroded by the medium, saves the packing seal structure and avoids medium leakage. Purpose: the valve can be used to control non-corrosive media or general corrosive media. The inner surface of the valve body has no liner or is covered by many optional rubbers; hence, the valve is applicable to different fluid pipelines at different working temperatures.

技术参数 Specification

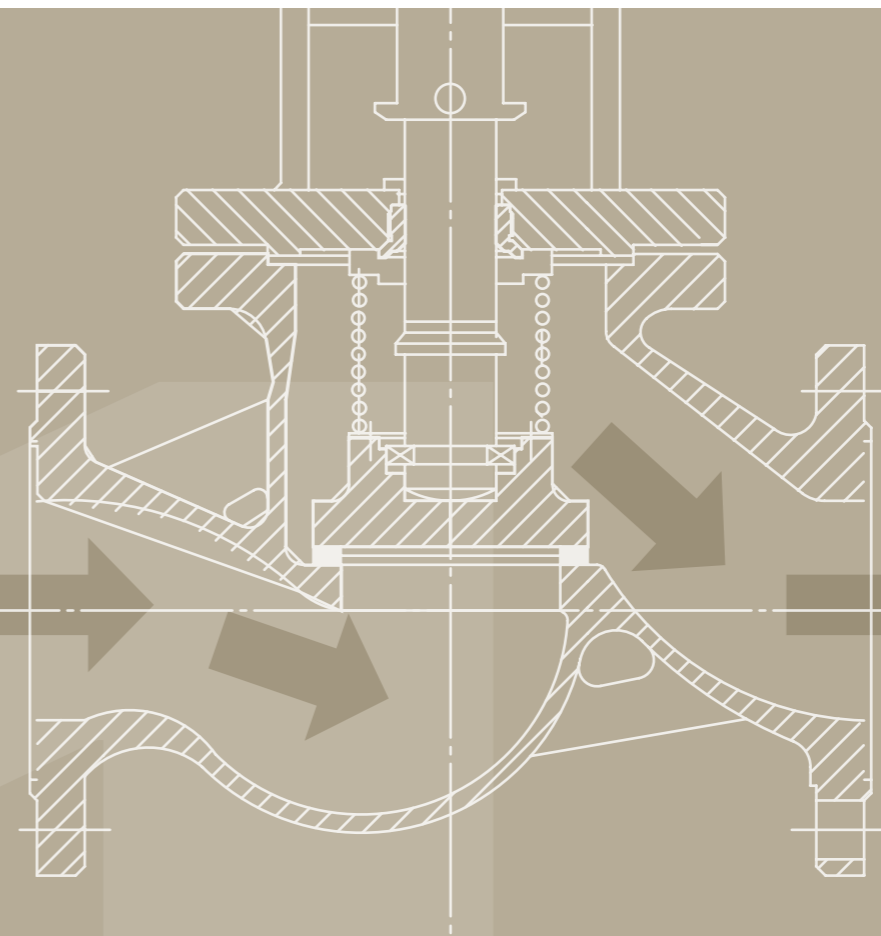
设计与制造标准 Standard	结构长度 Face to Face Dimension	法兰连接尺寸 Flange Dimensions	试验与检验 Test & Inspect	驱动方式 Drive mode
GB/T 12239	GB/T 12221 JB/T 1688	JB/T 79	GB/T 13927	手动、气动、电动 Handle、Pneumatic、Electric

主要零部件材料及适用范围 Standard Material Specifications

型号 Model	阀体、阀盖 Body, Bonnet	衬里 lining	隔膜 diaphragm	阀瓣 Disc	阀杆 Shaft	适用介质 Suitable medinm	适用温度 Suitable temperature
W EG641 J FS	铸铁 Cast iron 碳钢 WCB 球墨铸铁 Ductile iron 不锈钢 Stainless steel	衬氟塑料 PTFE 橡胶 Rubber	氯丁橡胶 CR 氟塑料 PTFE	铸铁 Cast iron	碳钢、 WCB 不锈钢 Stainless steel	W: 非腐蚀性流体 J: 一般腐蚀性流体 FS: 强酸碱及各种有机溶剂 (熔融碱金属及元素氟除外) W: Non-corrosive fluids J: General corrosive fluid FS: Strong acid and a variety of organic solvents (Except molten alkali metals and elemental fluorine)	W: ≤ 100℃ J: ≤ 80℃ FS: ≤ 150℃

PN40 主要外形与连接尺寸 Main figuration and Connecting Size

PN	DN	L		D	D1	Z-φd	H	B	D0	
		J型	W型							
PN6	200	527	521	320	280	8-18	1010	549	280	
	PN10	65	220	216	185	145	8-18	588	260	140
		80	258	254	200	160	8-18	769	260	165
		100	309	305	220	180	8-18	816	425	280
		125	362	356	250	210	8-18	820	425	280
	150	412	406	285	240	8-22	920	549	280	
PN16	20	121	117	105	75	4-14	343	168	140	
	25	131	127	115	85	4-14	345	168	140	
	32	150	146	140	100	4-18	363	260	140	
	40	163	159	150	110	4-18	430	260	140	
	50	194	190	165	125	4-18	575	260	140	



电磁阀系列 Solenoid valve Series

产品概述 Products Overview:

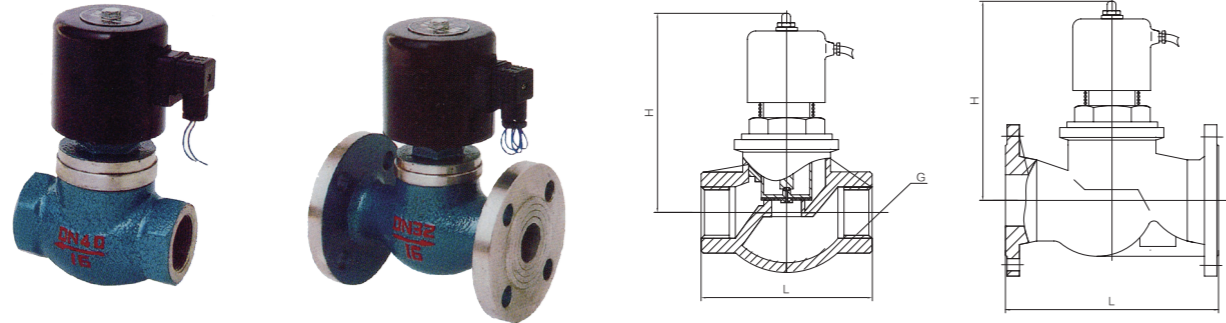
电磁阀是用电磁控制的工业设备，是用来控制流体的自动化基础元件，属于执行器，并不限于液压、气动。用在工业控制系统中调整介质的方向、流量、速度和其他的参数。电磁阀可以配合不同的电路来实现预期的控制，而控制的精度和灵活性都能够保证。电磁阀有很多种，不同的电磁阀在控制系统的不同位置发挥作用。

Solenoid valve is an electromagnetic control industrial device. It is an automated elementary unit used to control fluids, belonging to an execution device and is not limited to liquid pressure and pneumatics. It is used in industrial control systems to adjust the direction, flux, speed and other parameters. The solenoid valve can be paired with different circuits to achieve the desired control, with a guaranteed precision and flexibility of control. There are various types of solenoids with different functions in different locations of the control system.

产品特点 Products Features:

1. 外漏堵绝，内漏易控，使用安全。
 2. 系统简单，便接电脑，价格低廉。
 3. 功率微小，动作灵敏，外形轻巧。
 4. 型号多样，用途广泛。
1. Exterior leakage prevention, easy control of interior leakage, safe to use.
 2. Simple system, easy connection to computers, affordable price.
 3. very small energy consumption, Fast motion delivery, lightweight appearance.
 4. Multiple models, wide array of application.

ZQDF 蒸汽电磁阀 ZQDF steam electromagnetic valve



主要特点及用途 Main Feature and Use

- 本阀是工业过程自动化控制系统用的执行器，它在接受电控信号后自动开启或关闭阀门，实现对管道中流体介质的通断或流量调节控制，从而对系统中的温度、流量、压力等参数进行自动调节或远程控制。
- ZQDF 系列主要用于空气、蒸汽、煤气等气体介质的控制；ZQDF-Y 系列电磁阀主要用于自来水、蒸馏水、冷冻盐水、电镀废液等液体介质，同时也用于粘度小于 4° E 的油类。
- This series of solenoid valves can be widely used in production and scientific research sections of textile, printing, chemical engineering, plastic, rubber, pharmaceutical, food, building materials, machinery, electrical appliances and surface preparation, as well as daily living facilities such as bathrooms, dining halls and air-conditioners.
- ZQDF series are mainly used for control over gaseous media such as air, steam and coal gas; ZQDF-Y series are mainly used for liquid media such as running water, distilled water, frozen salt solutions, electroplating effluents, as well as for oils with the viscosity of less than 4° E.

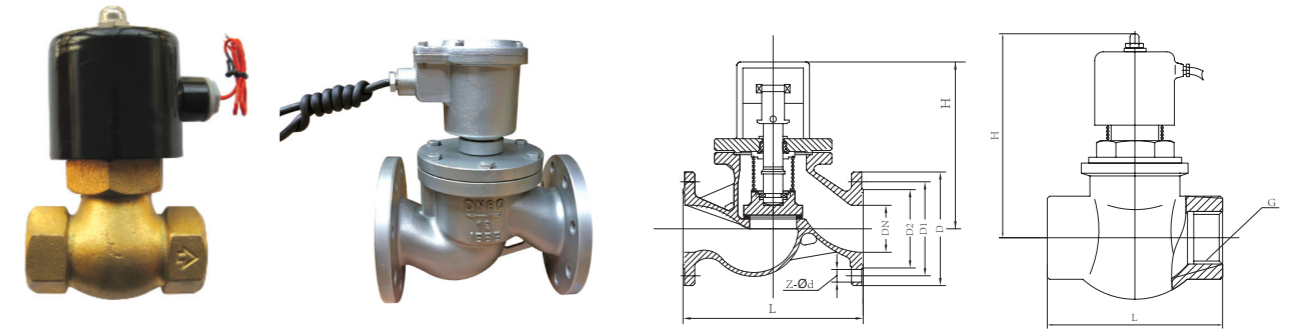
技术参数 Specification

型号 Type	ZQDF-1	ZQDF-2	ZQDF-3	ZQDF-1Y	ZQDF-2Y	ZQDF-3Y
公称压力 (MPa) Nominal pressure	1.6					
工作压力差 (MPa) Working differential pressure	DN15-50		0-1.6			
	DN65-100		0.05-1.6			
介质种类 Working medium	煤气、空气等 gas,air,etc.	饱和蒸汽 saturated steam	过热蒸汽或高温 气体 overheated steam of hot gas	水、油、等液体 water,oil	热水 hot water	高温水、油 Hi-temperature water,oil
介质温度 (°C) Medium temperature	≤ 60°C	≤ 180°C	≤ 220°C	≤ 60°C	≤ 180°C	≤ 220°C
电源电压 Power voltage	AC 220V 其它规格可作特殊订货 AC 220V,other specification can be ordered specification					
使用寿命 Service life	按 JB/T 7352 规定 As per JB/T 7352 · F					
泄流量 (ml/min) Leakage ratio	按 JB/T 7352 · F 规定 As per JB/T 7352 · F					
功耗 (VA) Power	50					

主要外形与连接尺寸 Main figuration and Connecting Size

DN	内螺纹连接 Female thread connection			法兰连接 Flange connection					
	外形尺寸 Outline Size		内螺纹 Female thread	外形尺寸 Outline Size		法兰尺寸 Flange Size			
	L	H	G	L	H	D	D1	D2	n-φd
15	92	153	1/2	130	153	95	65	45	4-14
20	92	153	3/4	150	153	105	75	58	4-14
25	110	153	1	160	153	115	85	68	4-14
32	120	176	1 1/4	180	176	140	100	78	4-18
40	140	176	1 1/2	200	176	150	110	88	4-18
50	162	192	2	230	192	165	125	102	4-18
65				290	250	185	145	122	8-18
80				310	260	200	160	138	8-18
100				350	290	220	180	158	8-18

ZCM 煤气电磁阀 ZCM Gas electromagnetic valve



主要特点及用途 Main Feature and Use

- 本阀适用于城市煤气、液化石油气，天然气等多种煤气为加热燃烧介质管路做二位式通断切换，进行温度自动控制的执行机构。它广泛应用于纺织业、印刷业的煤气热定型和玻璃、灯泡业的窑炉加热及其它行业的煤气加热自控系统。
- ZCM coal gas solenoid valves are applicable to pipelines for urban coal gas, liquefied petroleum gas, natural gas and other combustible media for heating; they serves as two-position switches for carrying on and cutoff of the media, as well as actuators for automatic control of temperature. They are widely used in heat setting by coal gas in the textile and printing industries, kiln heating in the glass and bulb industries, and automatic coal gas-fired heating control systems in other industries.

技术参数 Specification

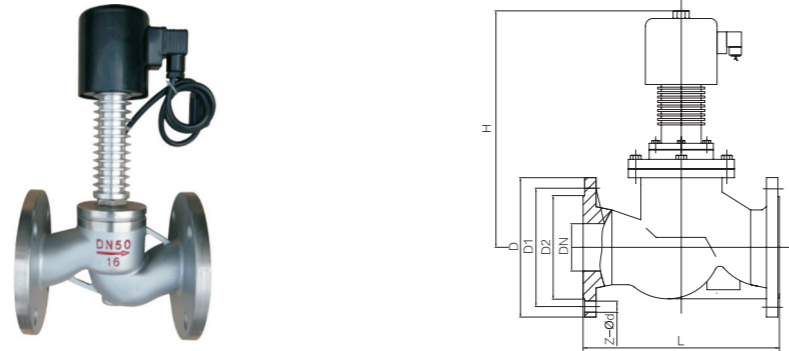
公称口径 DN Inside nominal diameter	15	20	25	32	40	50	65	80	100	125	150	200	250	300	350
工作介质 Working medium	煤气、液化石油气和天然气 gas, liquefied petroleum gas and natural gas														
介质温度 (°C) Medium temperature	-20°C ~80°C														
公称压力 (MPa) Nominal pressure	1.0														
工作压力差 (MPa) Working differential pressure	0-0.03							0-0.1							
安装方式 Installation type	垂直安装 Vertical mounting														
电源电压 Power voltage	AC 220V 其它规格可作特殊订货 AC 220V,other specification can be ordered specification														
工作电流 (A) Working current	直流 Direct current	0.13			0.17			0.41			0.71			1.1	
	交流 Alternating Current	0.13			0.17			0.41			0.71			1.1	
功率 (VA) Power	直流 Direct current	26			33			80			140			220	
	交流 Alternating Current	26			33			80			140			220	
防爆标志 Proof mark	EXDIIBT4														

主要外形与连接尺寸 Main figuration and Connecting Size

DN	内螺纹连接 Female thread connection			法兰连接 Flange connection					
	外形尺寸 Outline Size		内螺纹 Female thread	外形尺寸 Outline Size		法兰尺寸 Flange Size			
	L	H	G	L	H	D	D1	D2	n-φd
15	92	153	1/2	130	210	95	65	45	4-14
20	92	153	3/4	150	210	105	75	58	4-14
25	110	153	1	160	210	115	85	68	4-14
32	120	176	1 1/4	180	221	140	100	78	4-18
40	140	176	1 1/2	200	230	150	110	88	4-18
50	162	192	2	230	252	165	125	102	4-18
65				290	390	185	145	122	8-18
80				310	401	200	160	138	8-18
100				350	408	220	180	158	8-18
125				400	424	250	210	188	8-18
150				480	515	285	240	212	8-22
200				600	540	340	295	268	8-22
250				730	573	395	350	320	12-22
300				850	608	445	400	370	12-22
350				980	700	505	460	430	16-22

SZCZP 高温电磁阀

SZCZP High temperature electromagnetic valve



■ 主要特点及用途 Main Feature and Use

- 本阀是间接先导式平衡型电磁阀，具有耐高温、耐腐蚀、耐磨损、使用范围广等特点，广泛应用于输送水、轻油、重油，过热蒸汽、腐蚀气体等介质管路中。完成系统中气体、蒸汽液体、油类等各种介质流量的自动控制 and 自动调节。
- SZCZP high-temperature solenoid valves are indirectly pilot operated and balanced solenoid valves, featuring good resistance to high temperature and wear, as well as wide range of application. They are widely used in pipelines for such media as water, light oil, heavy oil, superheated steam and corrosive gases, to realize automatic control and adjustment of gases, steam liquid, oil and other media in the systems.

■ 技术参数 Specification

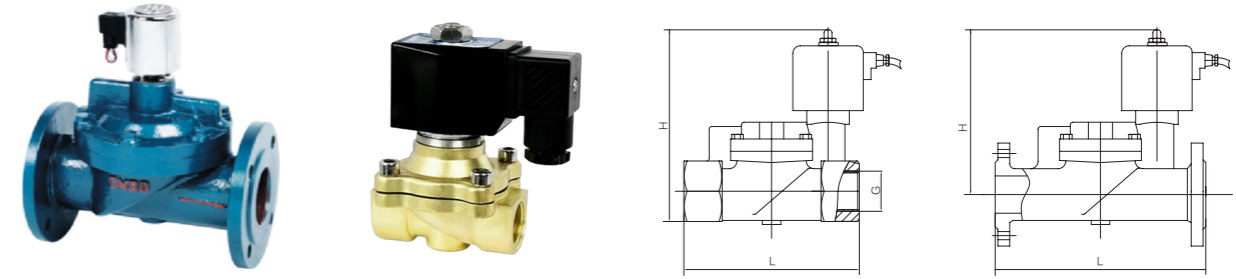
公称口径 (mm) DN/Inside nominal diameter	10	15	20	25	32	40	50	65	80	100	125	150
公称压力 (MPa) Nominal pressure	1.6											
工作压差 (MPa) Working differential pressure	0~1.6	0.05~1.6						0.1~1.6				
工作介质 Working medium	蒸汽、油 (高温气体、液体) Steam, Oil (High temperature gas, liquid)											
介质温度 (°C) Medium temperature	≤ 400°C											
功率 (VA) Power	50~80											
电源电压 Power voltage	220											
额定流量系数 (KV) Rated flow coefficient	按 JB/T 7352 规定 As per JB/T 7352 · F											
泄漏量 (ml/min) Leakage ratio	按 JB/T 7352 · F 规定 As per JB/T 7352 · F											

■ 主要外形与连接尺寸 Main figuration and Connecting Size

DN	L	D	D1	D2	n-φd	H
10	130	90	60	40	4-14	465
15	130	95	65	45	4-14	465
20	150	105	75	58	4-14	465
25	160	115	85	68	4-14	465
32	180	140	100	78	4-18	475
40	200	150	110	88	4-18	490
50	230	165	125	102	4-18	505
65	290	185	145	122	8-18	525
80	310	200	160	138	8-18	535
100	350	220	180	158	8-18	565
125	400	250	210	188	8-18	580
150	480	285	240	212	8-22	605

ZCS 水用电磁阀

ZCS Water electromagnetic valve



■ 主要特点及用途 Main Feature and Use

- 本阀适用于以水或液体为工作介质，可自动化控制或远程控制水、油、液体等工作介质管路的通断。采用橡胶密封，对工作介质的清洁度要求大大降低，具有启闭迅速，可靠性高等特点。
- 主要用于石油化工、医药设备、暖通空调、清洗设备、电镀涂装、食品工业、给水排水系统等。
- The valve is applicable as an on-off switch of pipes that use water or liquid as the working medium, and achieves automated control or long-distance control of working mediums such as water, oil or liquid. It uses a rubber seal that could greatly reduce the cleanliness requirement of the working medium, and has the characteristics of a fast on-off switch and high reliability.
- It is mainly used in petrochemical engineering, medical devices, heating ventilation air conditioning, cleaning devices, electroplating coating, food industry, and water supply and drainage systems.

■ 技术参数 Specification

公称口径 DN/Inside nominal diameter	10	15	20	25	32	40	50	65	80	100	125	150	200	250	300
公称压力 (MPa) Nominal pressure	1.0														
工作压差 (MPa) Working differential pressure	0.05~1.0					0.1~1.0					0.15~1.0				
工作介质 Working medium	水、粘度 ≤ 4° E 的油及其它非腐蚀性流体 Water, viscosity ≤ 4° E Oil, Non corrosive fluids														
介质温度 (°C) Medium temperature	≤ 60°C														
功耗 (VA) Power consumption	17							30							
电源电压 Power voltage	AC220V 其余规格可作特殊订货 AC 220V, other specification can be ordered specification														
额定流量系数 (KV) Rated flow coefficient	按 JB/T 7352 · F 规定 As per JB/T 7352 · F														
泄漏量 (ml/min) Leakage ratio	按 JB/T 7352 · F 规定 As per JB/T 7352 · F														

■ 主要外形与连接尺寸 Main figuration and Connecting Size

DN	内螺纹连接 Female thread connection			法兰连接 Flange connection					
	外形尺寸 Outline Size		内螺纹 Female thread	外形尺寸 Outline Size		法兰尺寸 Flange Size			
	L	H	G	L	H	D	D1	D2	n-φd
15	80	112	1/2						
20	80	119	3/4						
25	90	130	1	160	130	115	85	68	4-14
32	140	137	1 1/4	180	137	140	100	78	4-18
40	156	152	1 1/2	200	152	150	110	88	4-18
50	180	164	2	230	164	165	125	102	4-18
65				290	222	185	145	122	8-18
80				310	253	200	160	138	8-18
100				350	260	220	180	158	8-18
125				400	315	250	210	188	8-18
150				480	350	285	240	212	8-22
200				600	390	340	295	268	8-22
250				730	430	395	350	320	12-22
300				850	480	445	400	370	12-22
350				980	700	505	460	430	16-22